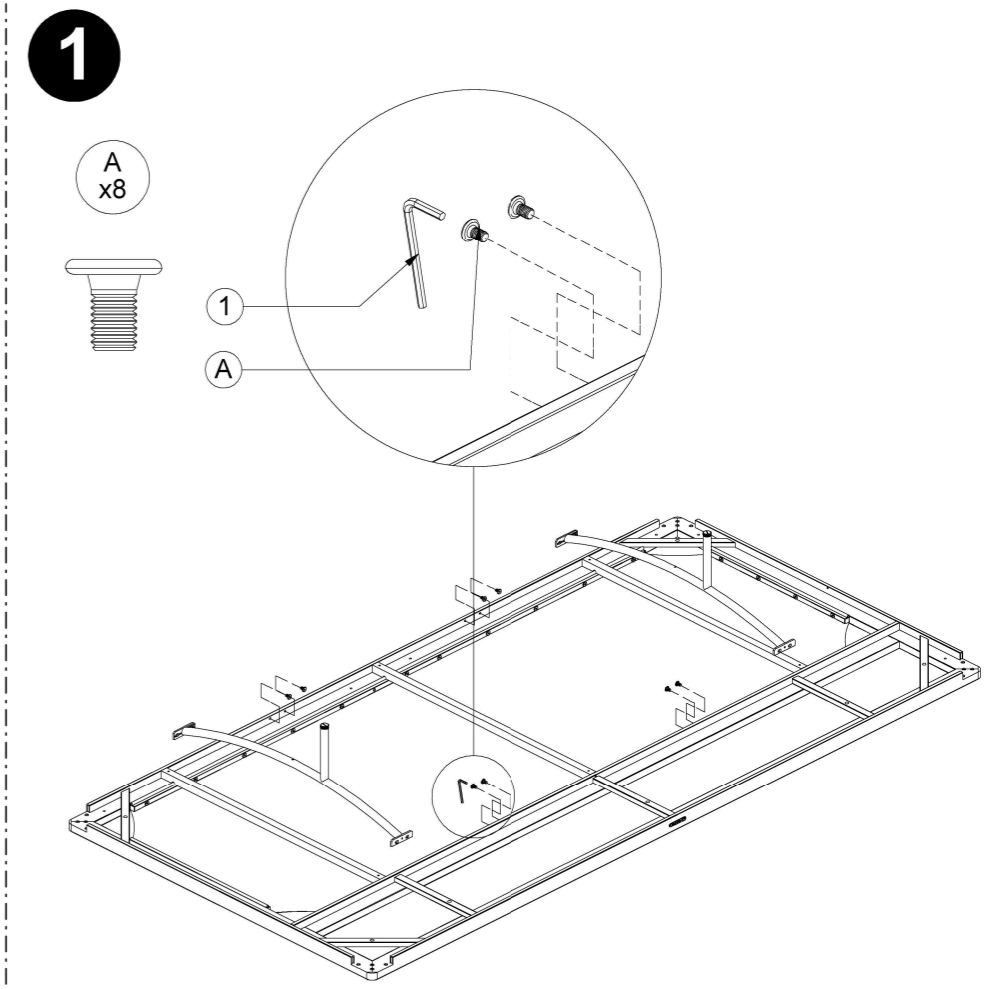
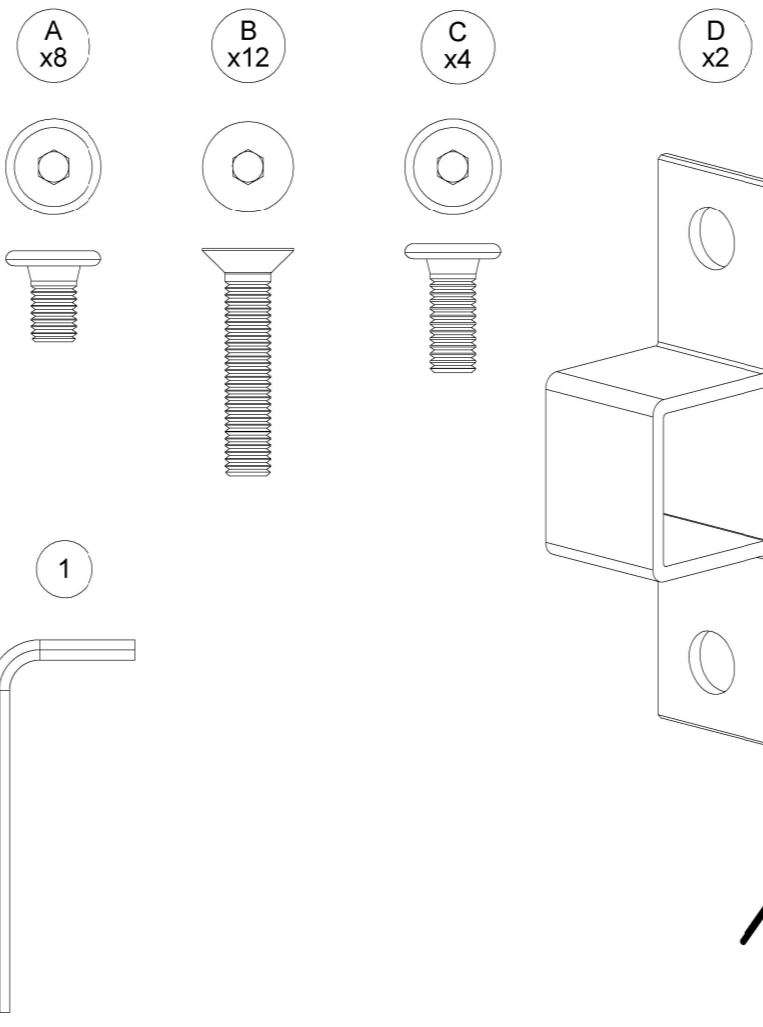
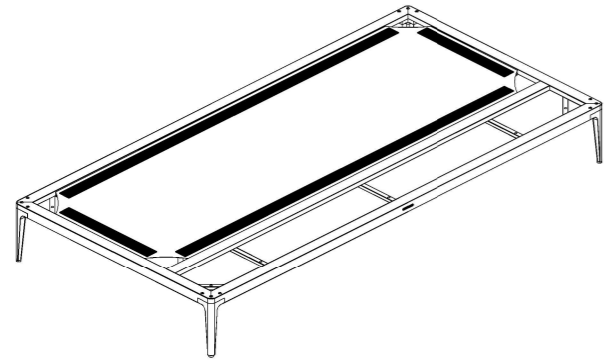


GRID BASE FRAME 206 CM X 103 CM

ASSEMBLY GUIDE



DISTRIBUTED IN THE USA BY:

Gloster Furniture
1075 Fulp Industrial Road
PO Box 738
South Boston
VA 24592
USA

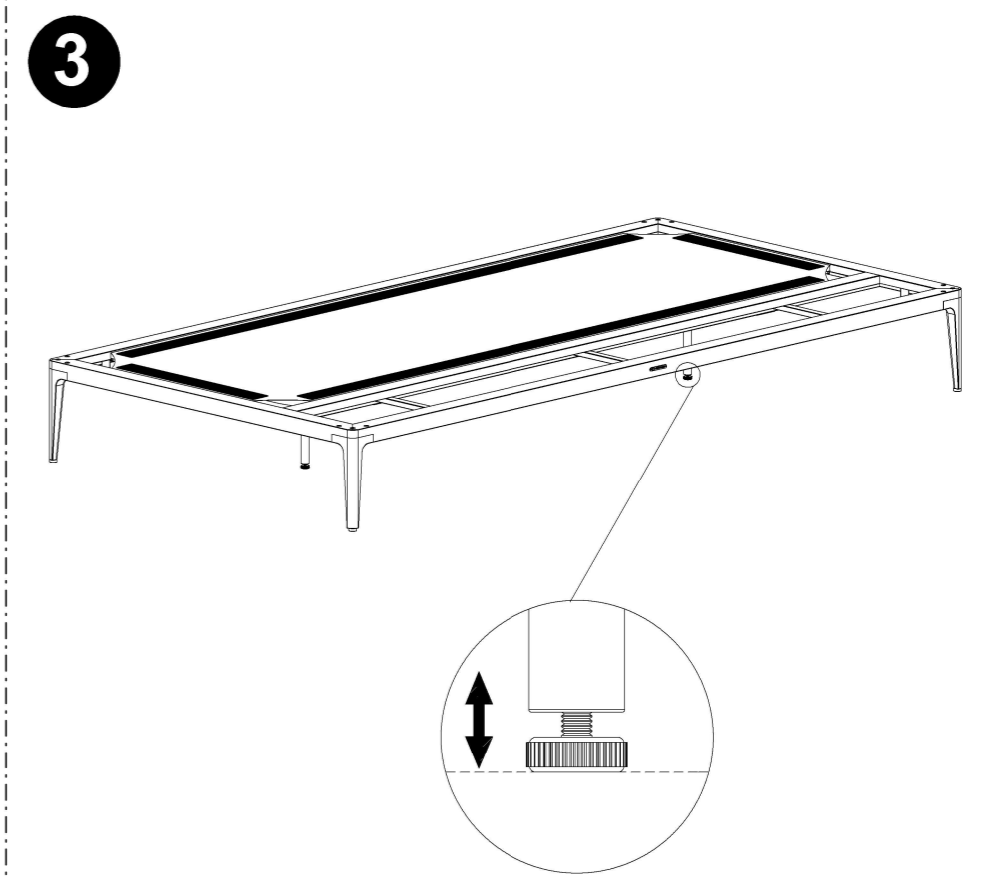
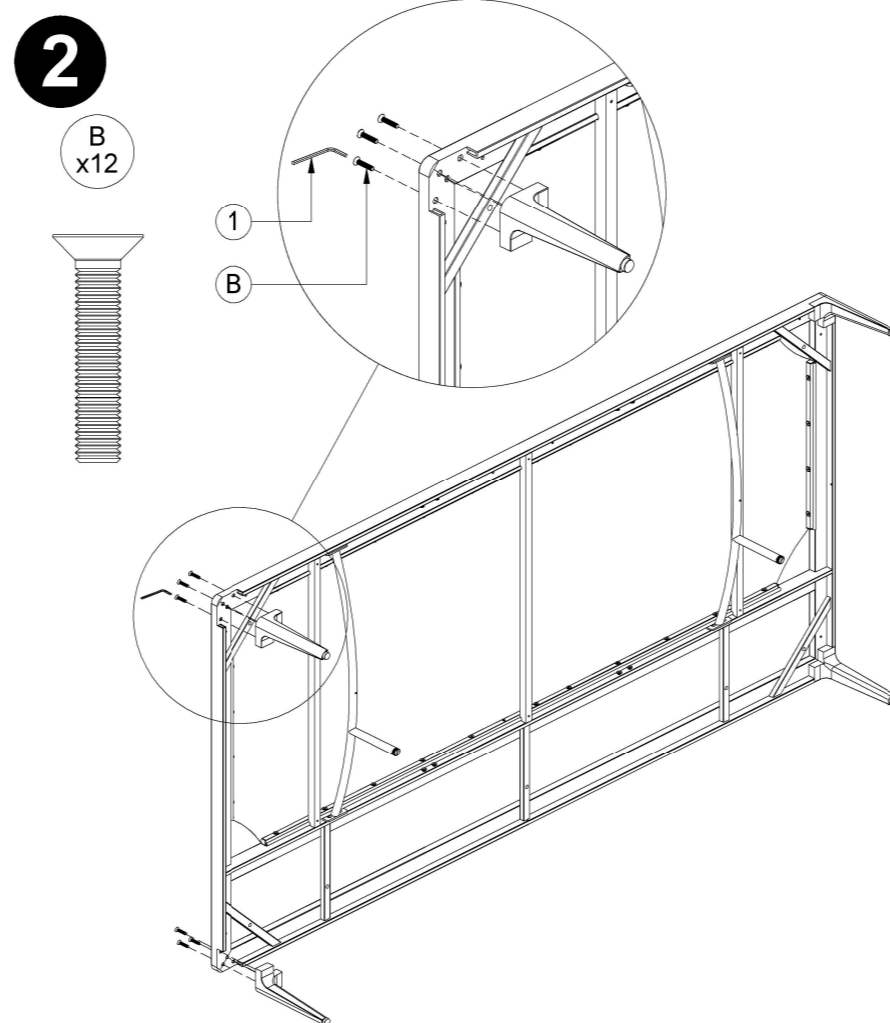
DISTRIBUTED IN EUROPE AND ROW BY:

Gloster Furniture GmbH
Zeppelinsrasse 22
21337 Lüneburg
Germany
Tel. +49 (0)4131 287530

GENERAL SAFETY GUIDELINES

Read this guide carefully before using the product.
Keep this guide for future reference, do not throw away.
Only use the product in accordance with these instructions. Failure to follow the instructions contained
Within the user guide can result in damage to the product, and the warranty will become void.
Any responsibility is disclaimed due incorrect use of the product.

Warranty
www.gloster.com

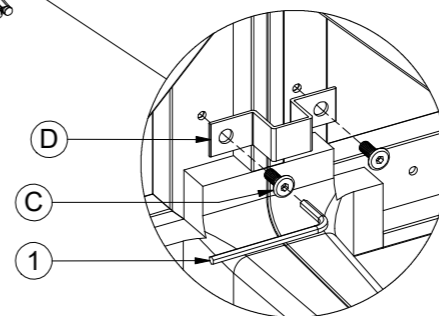
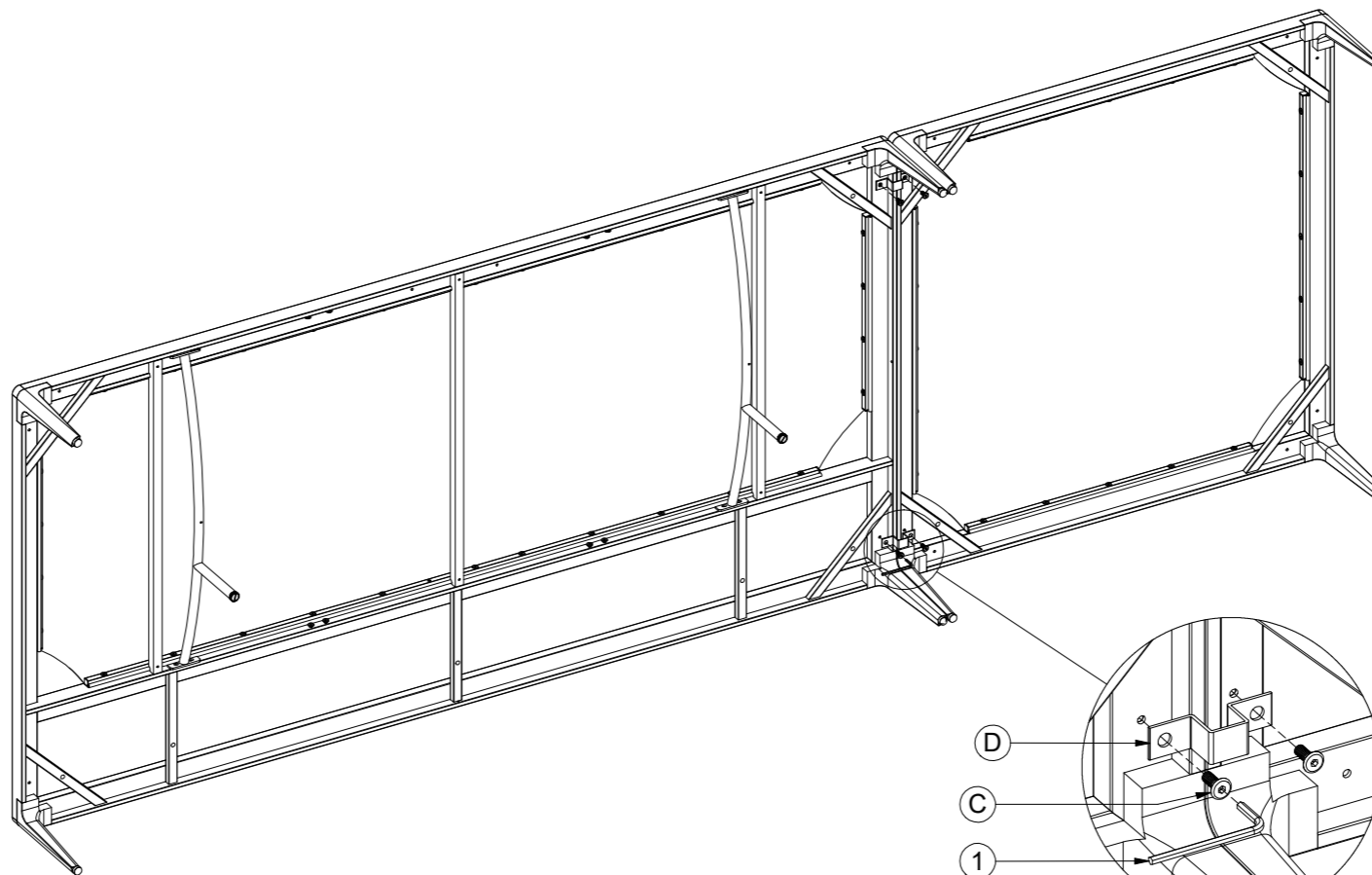
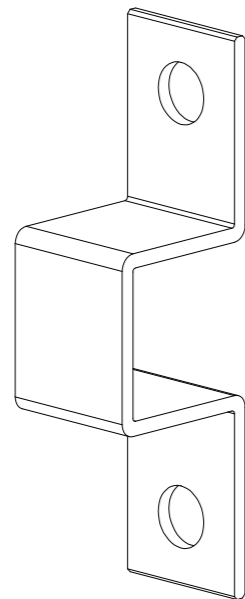
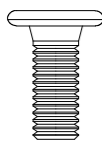


2

LINKAGE

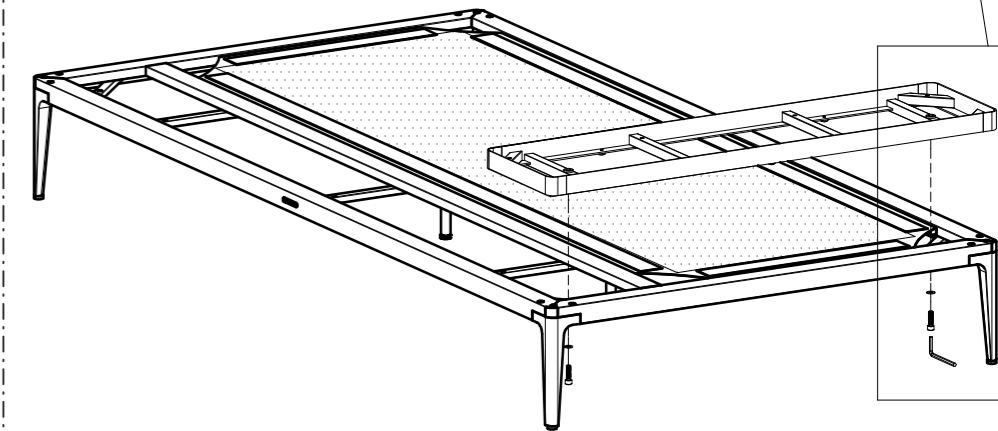
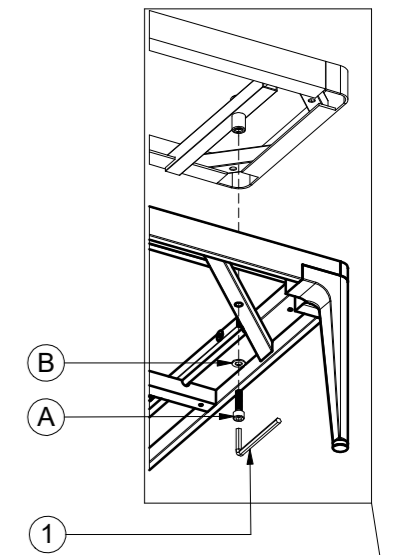
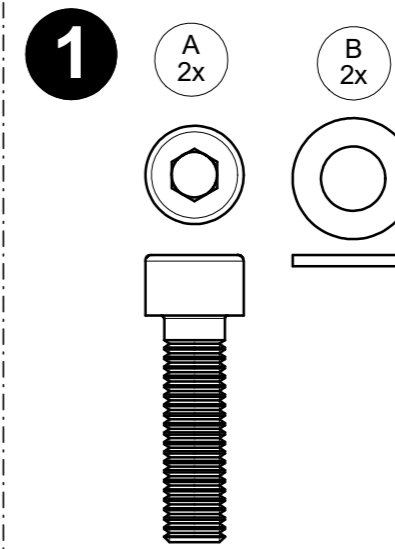
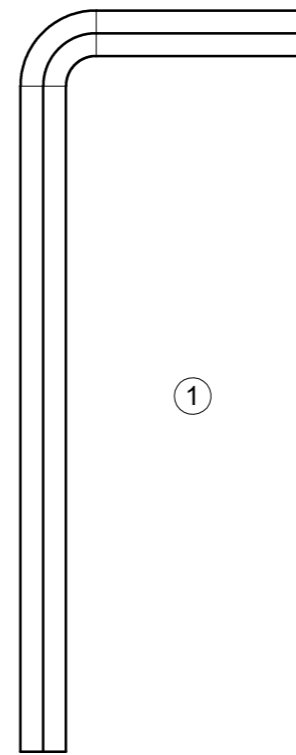
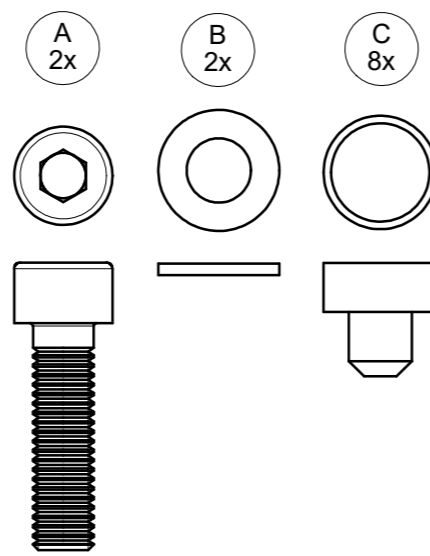
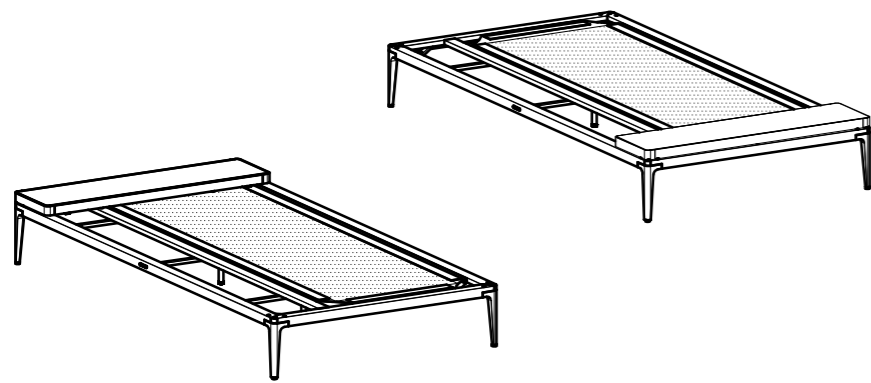
C
x4

D
x2



GRID PLATFORM 103 CM X 26 CM FRAME + CERAMIC TOP

ASSEMBLY GUIDE



DISTRIBUTED IN THE USA BY:

Gloster Furniture
1075 Fulp Industrial Road
PO Box 738
South Boston
VA 24592
USA

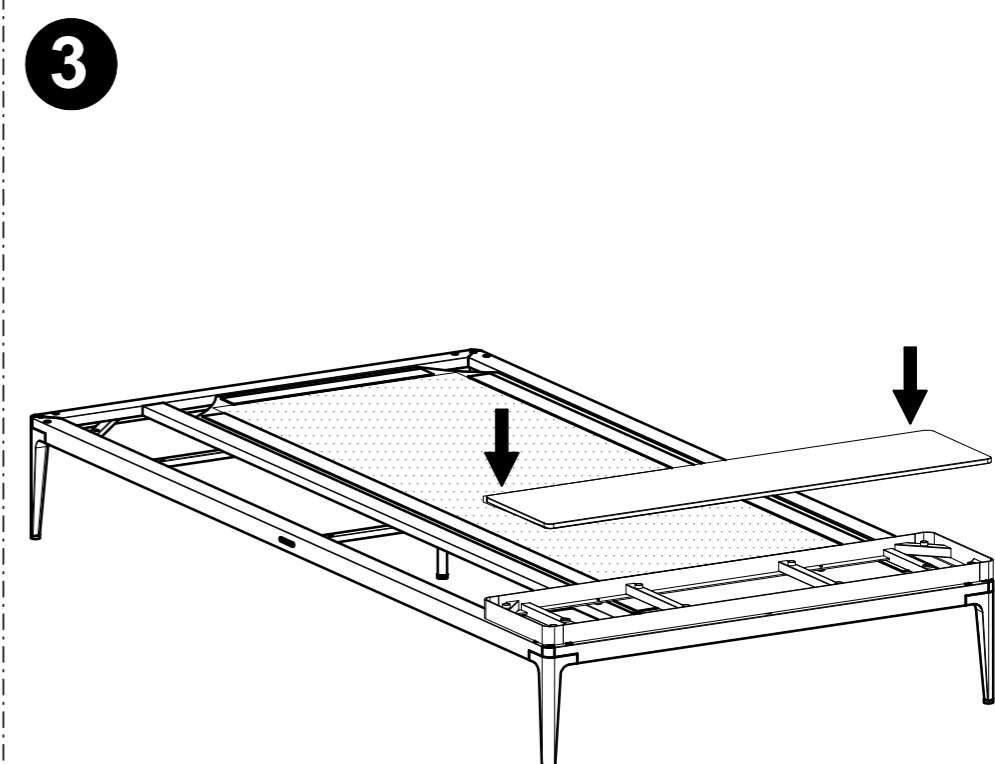
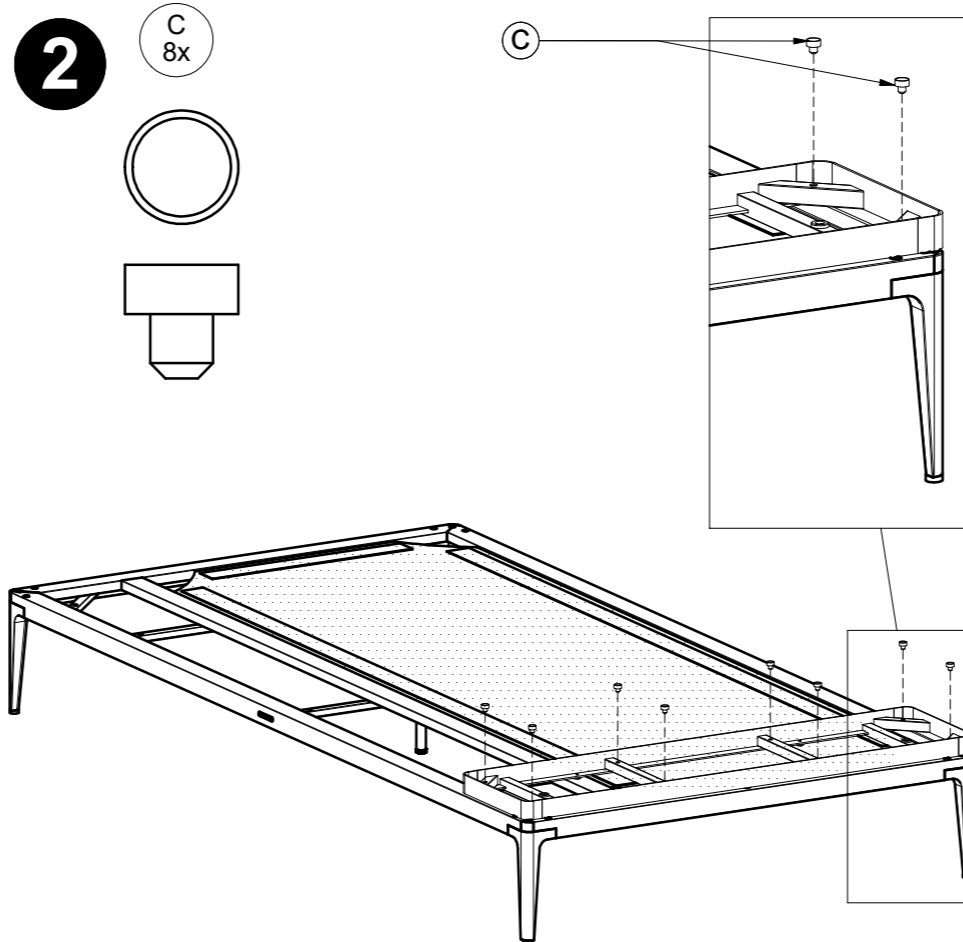
DISTRIBUTED IN EUROPE AND ROW BY:

Gloster Furniture GmbH
Zeppelinstrasse 22
21337 Luneburg
Germany
Tel. +49 (0)4131 287530

GENERAL SAFETY GUIDELINES

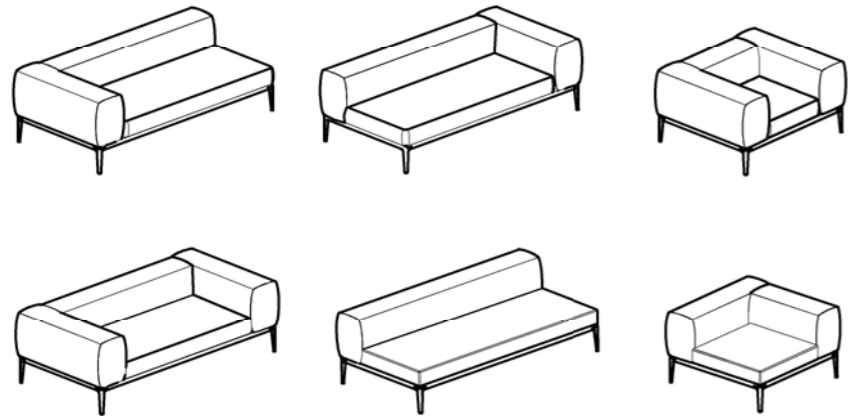
Read this guide carefully before using the product.
Keep this guide for future reference, do not throw away.
Only use the product in accordance with these instructions. Failure to follow the instructions contained
Within the user guide can result in damage to the product, and the warranty will become void.
Any responsibility is disclaimed due incorrect use of the product.
This product is suitable for use in both residential and contract environments.

Warranty
www.gloster.com

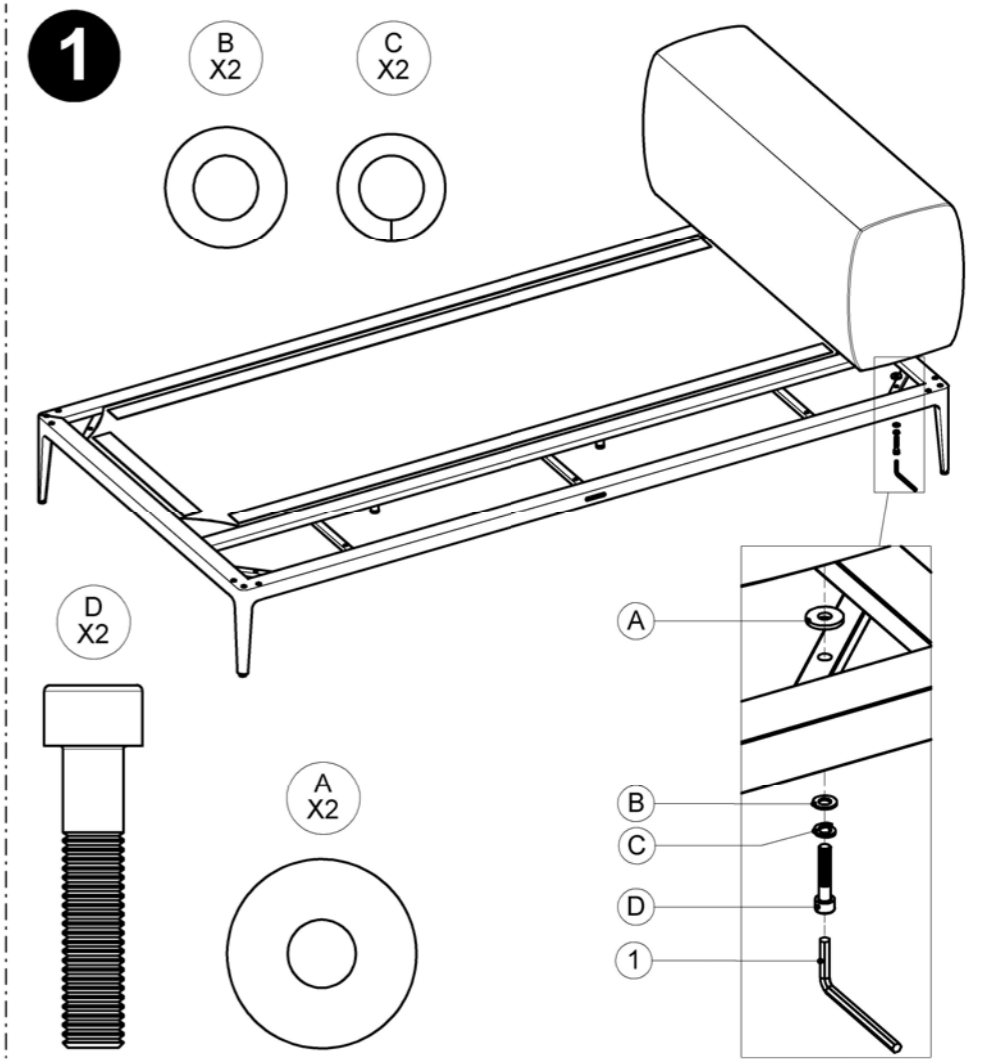
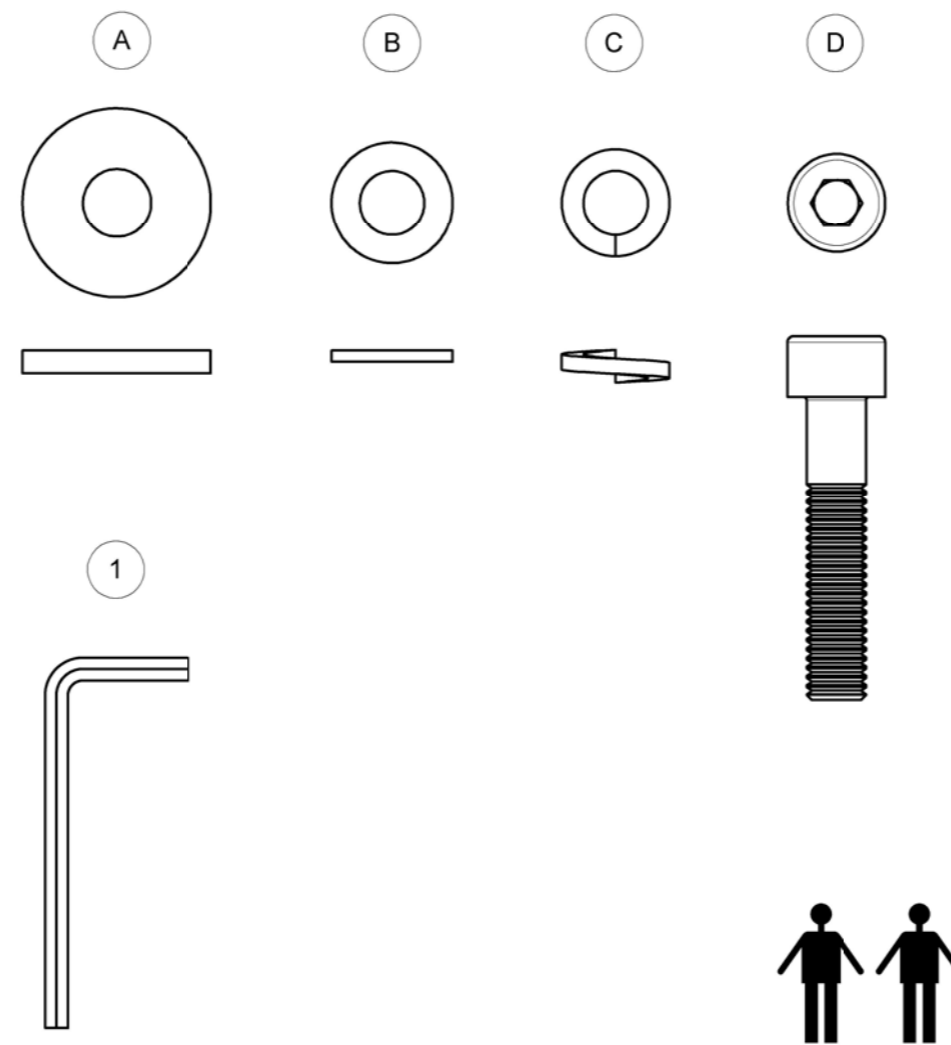


GRID BACK CUSHION & ARM CUSHION

ASSEMBLY GUIDE



GLOSTER



DISTRIBUTED IN THE USA BY:

Gloster Furniture
1075 Fulp Industrial Road
PO Box 738
South Boston
VA 24592
USA

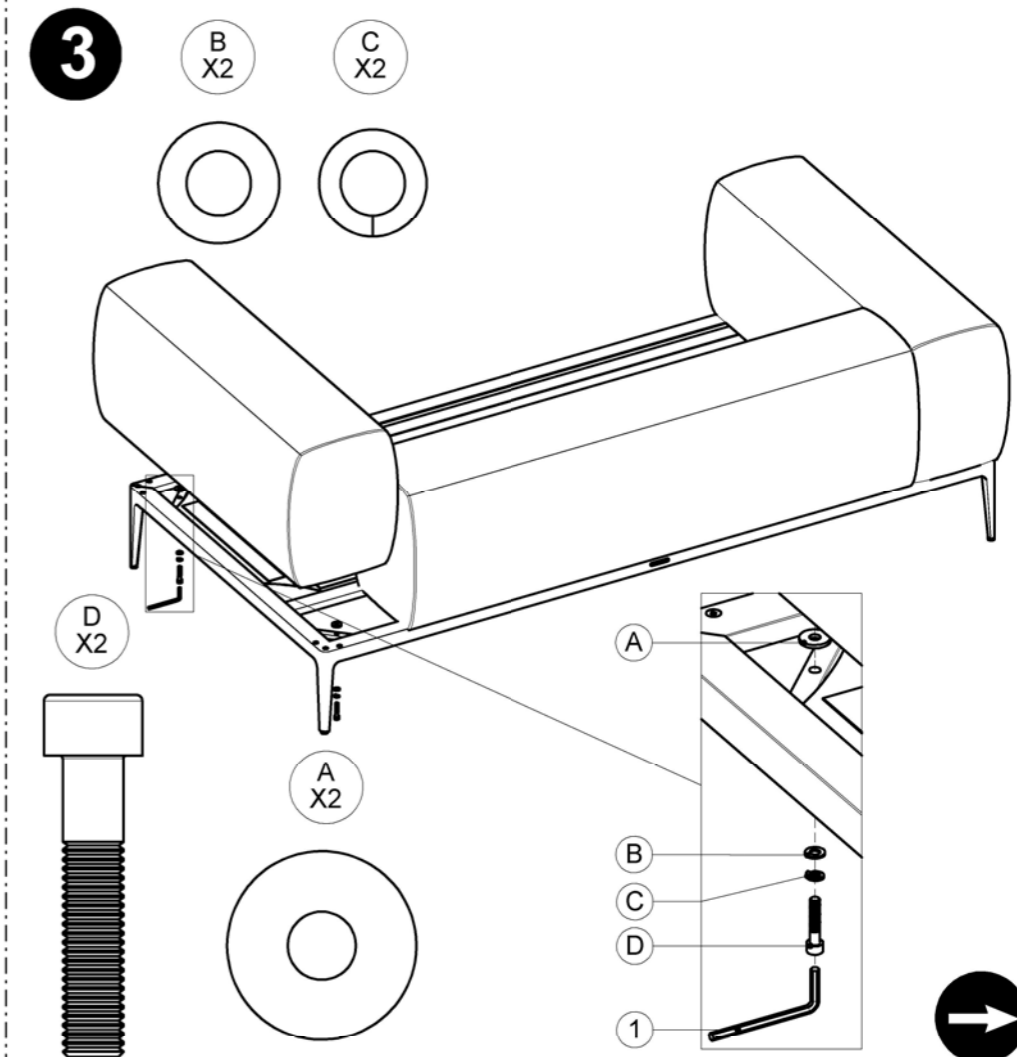
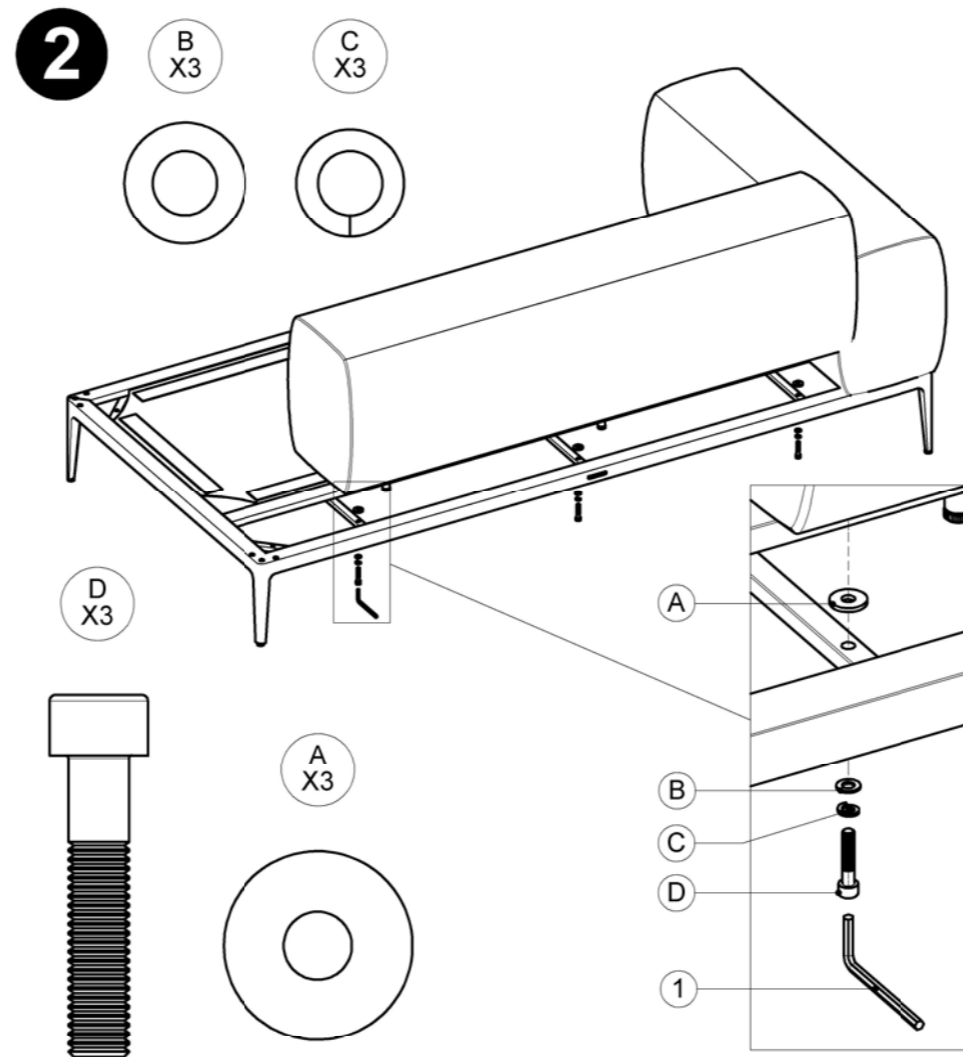
DISTRIBUTED IN EUROPE AND ROW BY:

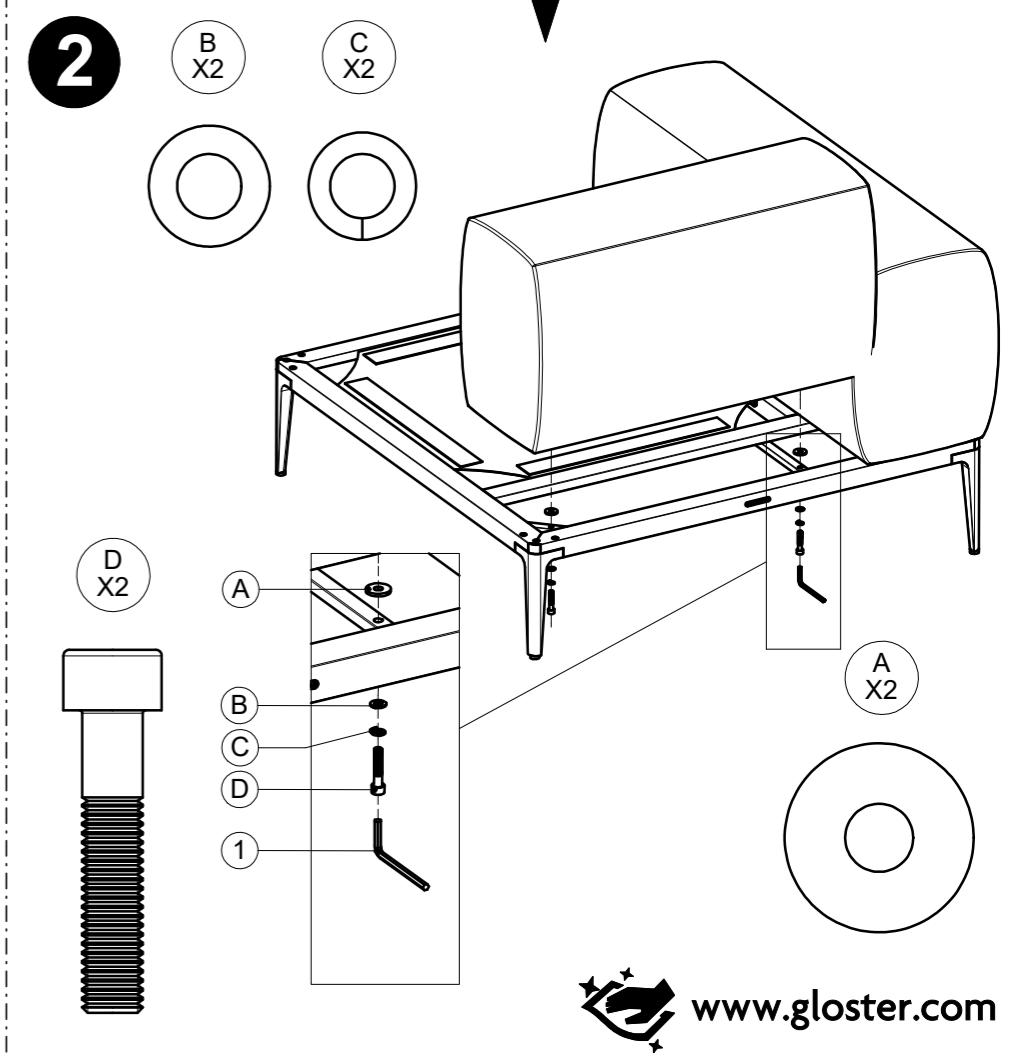
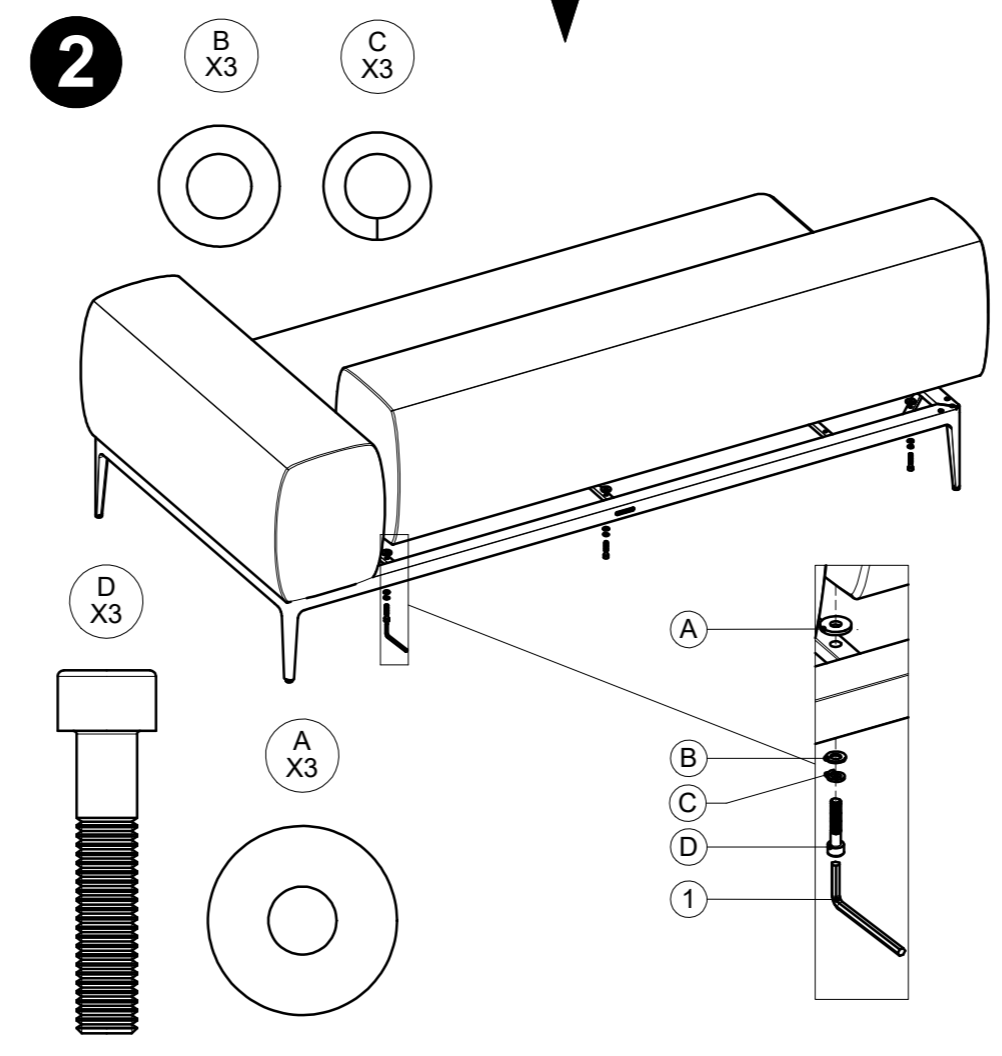
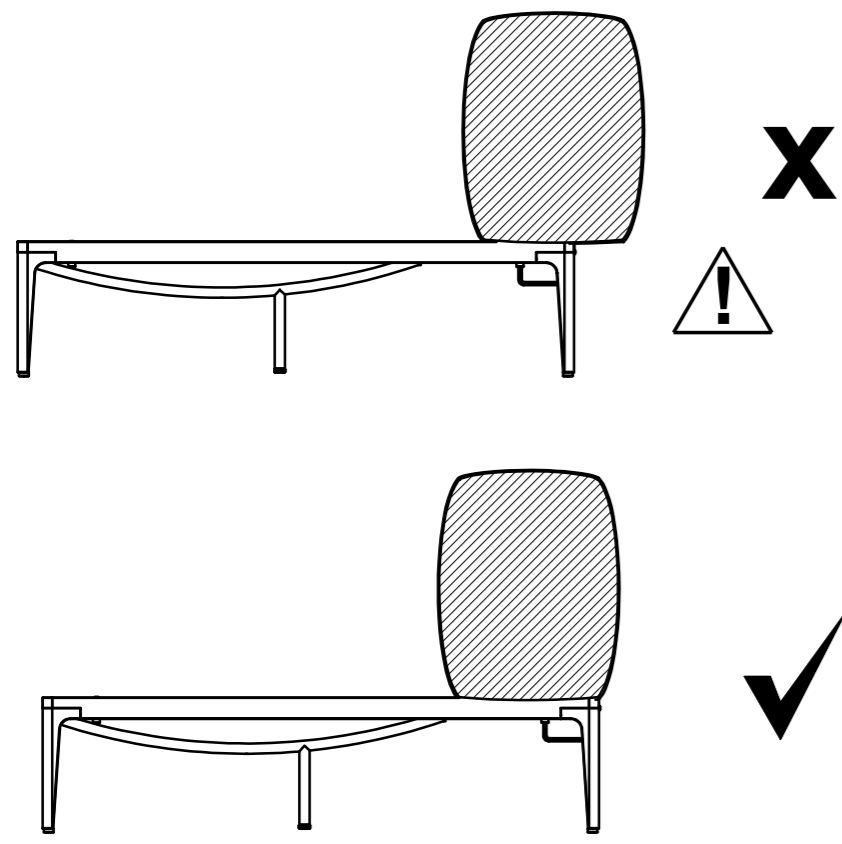
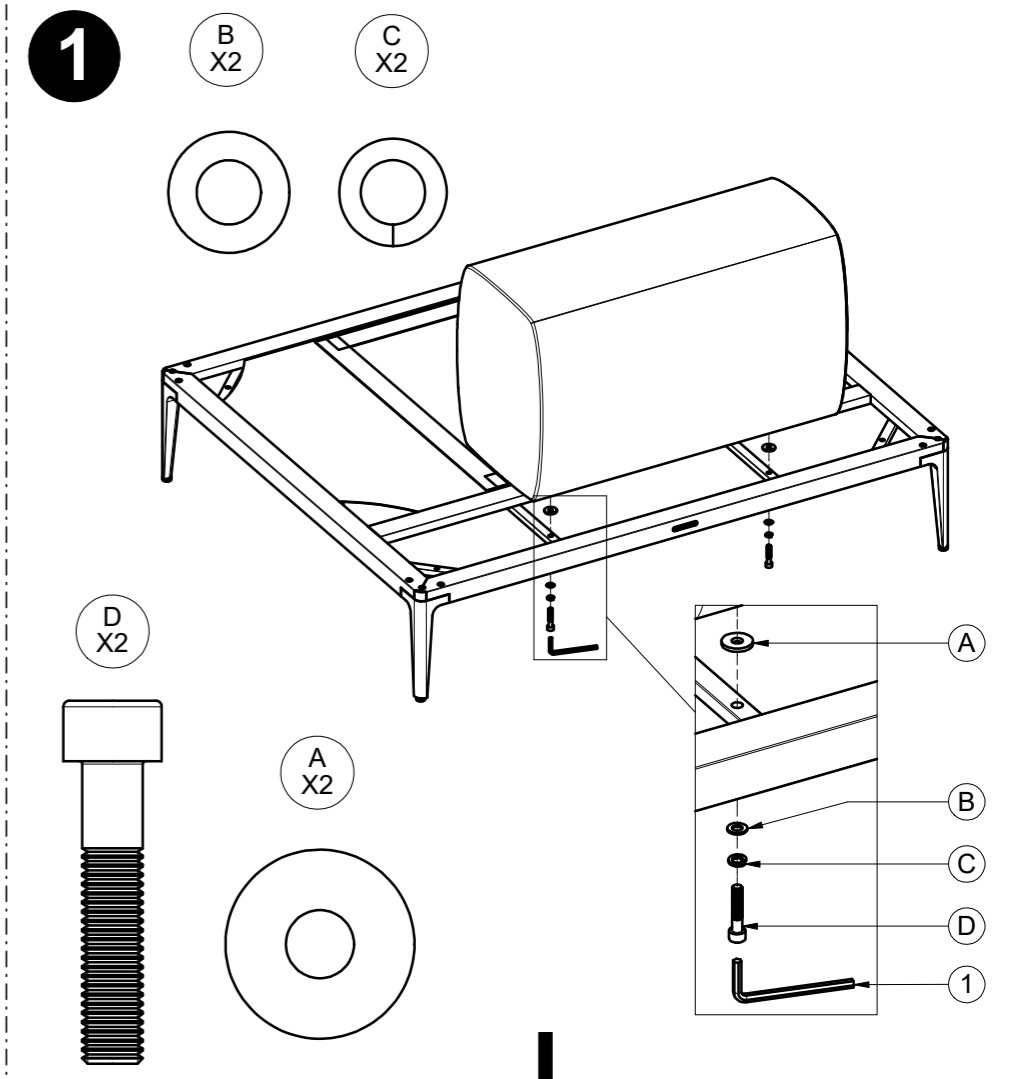
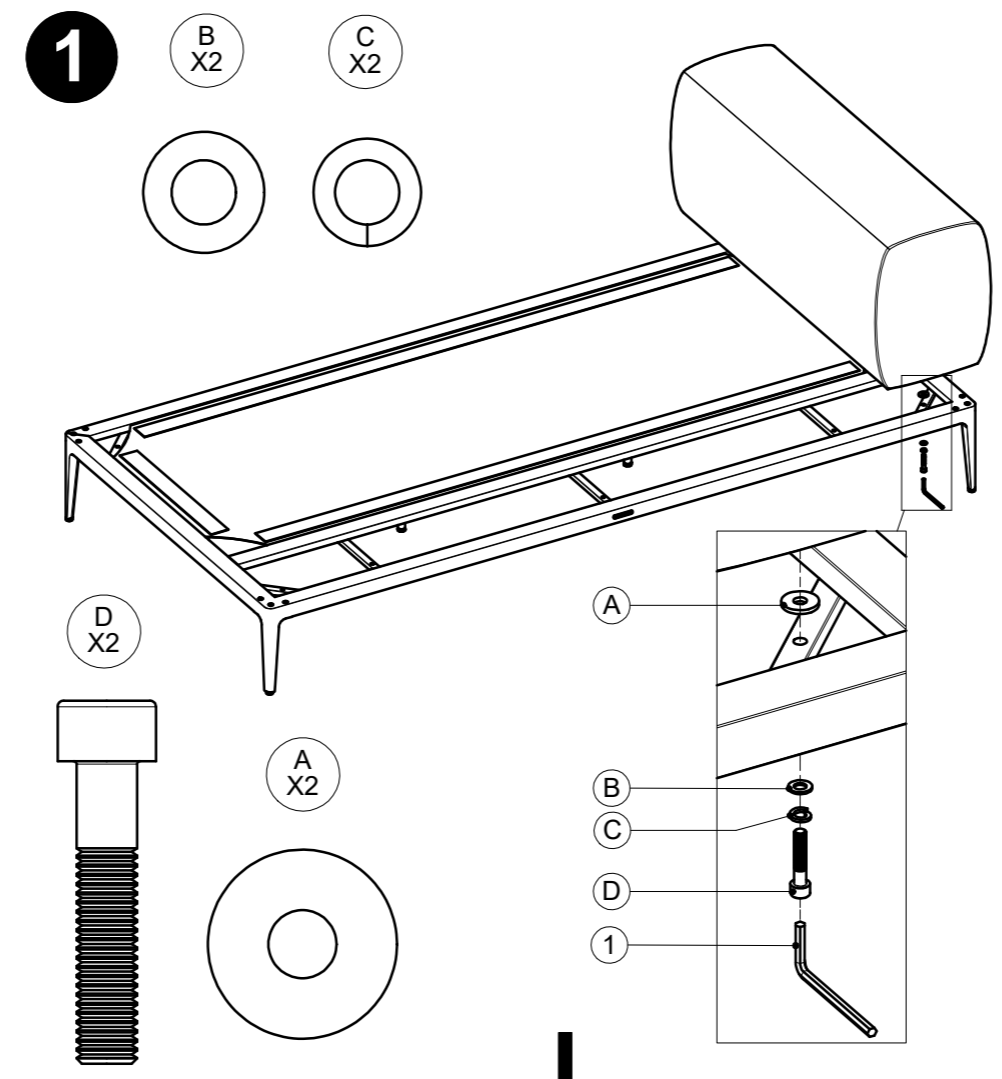
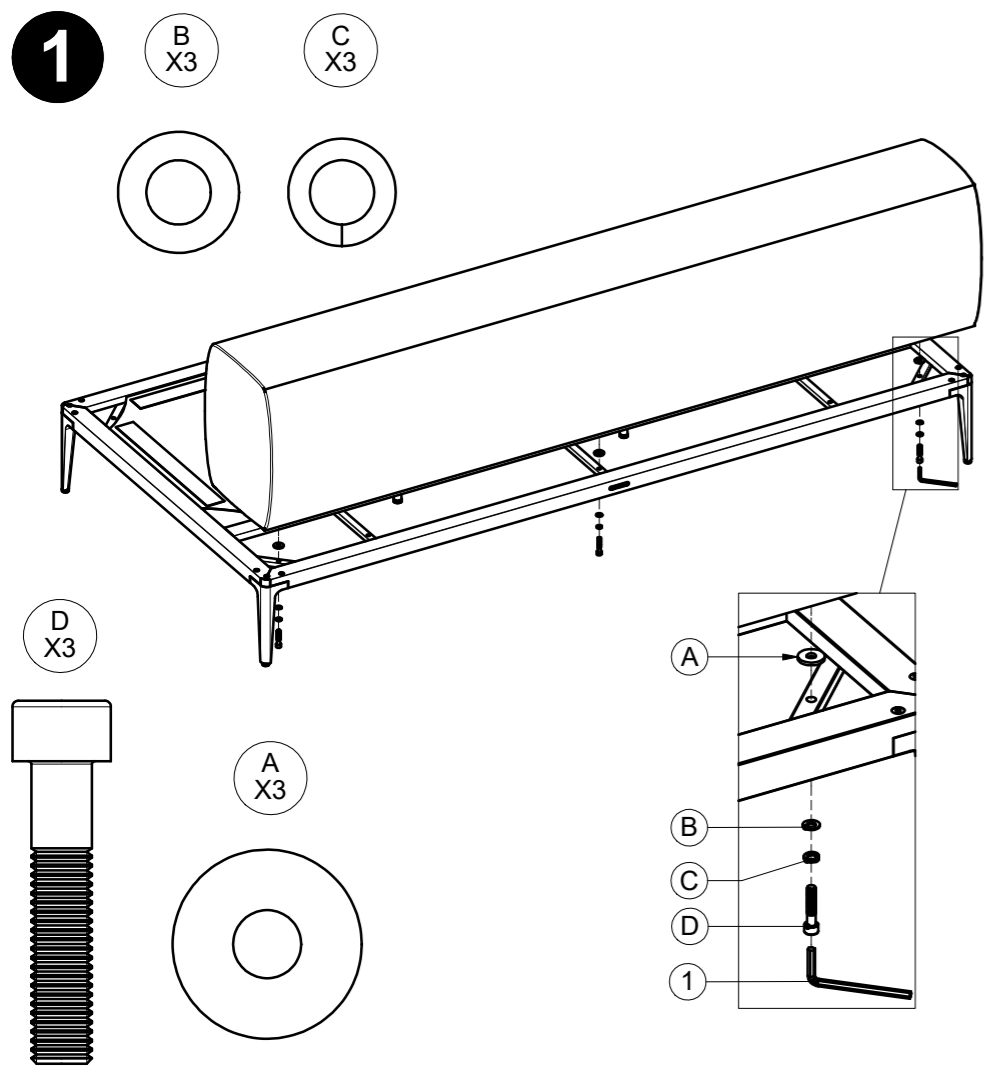
Gloster Furniture GmbH
Zeppelinsrasse 22
21337 Lüneburg
Germany
Tel. +49 (0)4131 287530

GENERAL SAFETY GUIDELINES

Read this guide carefully before using the product.
Keep this guide for future reference, do not throw away.
Only use the product in accordance with these instructions. Failure to follow the instructions contained
Within the user guide can result in damage to the product, and the warranty will become void.
Any responsibility is disclaimed due incorrect use of the product.
This product is suitable for use in both residential and contract environments.

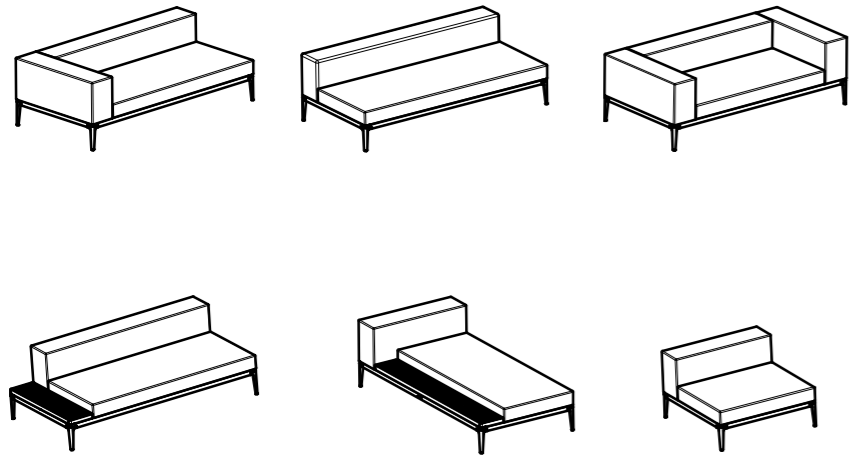
Warranty
www.gloster.com





GRID COVER

ASSEMBLY GUIDE



DISTRIBUTED IN THE USA BY:

Gloster Furniture
1075 Fulp Industrial Road
PO Box 738
South Boston
VA 24592
USA

DISTRIBUTED IN EUROPE AND ROW BY:

Gloster Furniture GmbH
Zeppelinsrasse 22
21337 Lüneburg
Germany
Tel. +49 (0)4131 287530

GENERAL SAFETY GUIDELINES

Read this guide carefully before using the product.
Keep this guide for future reference, do not throw away.
Only use the product in accordance with these instructions. Failure to follow the instructions contained
Within the user guide can result in damage to the product, and the warranty will become void.
Any responsibility is disclaimed due incorrect use of the product.

Warranty
www.gloster.com

