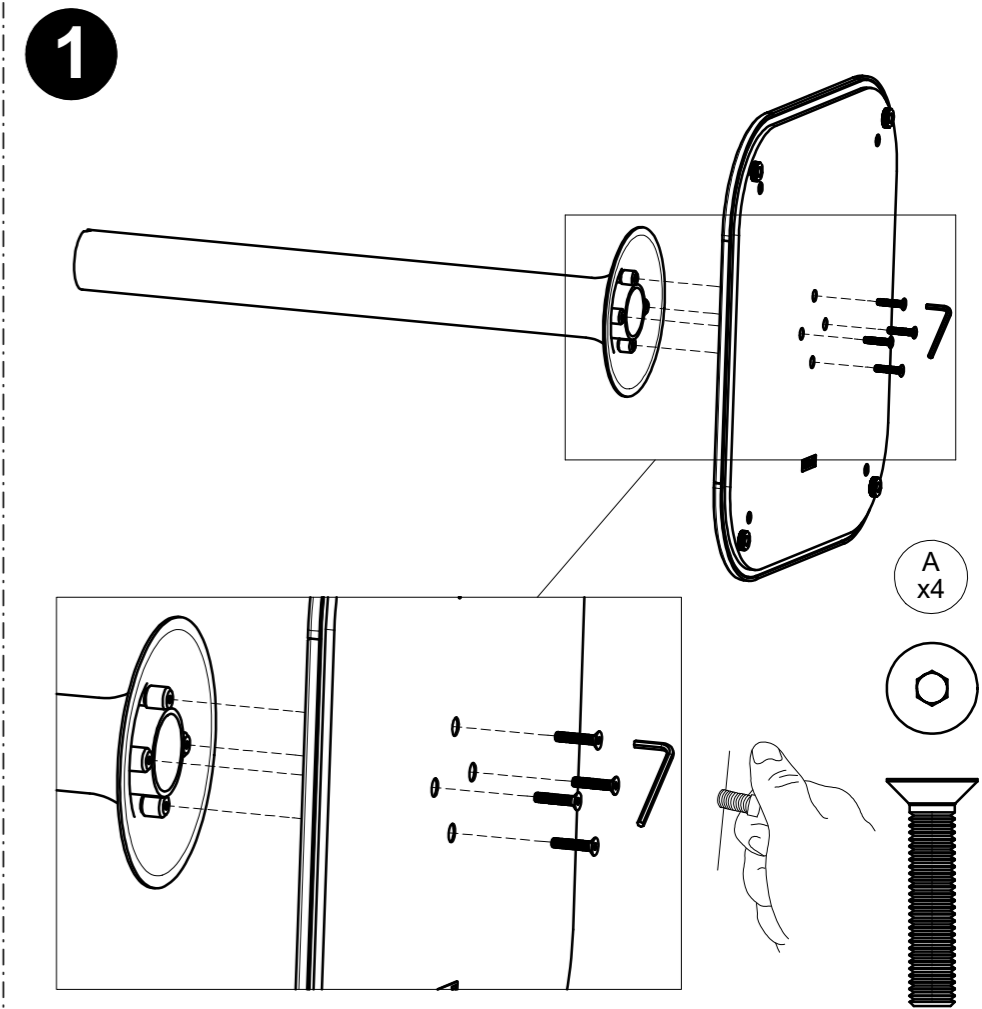
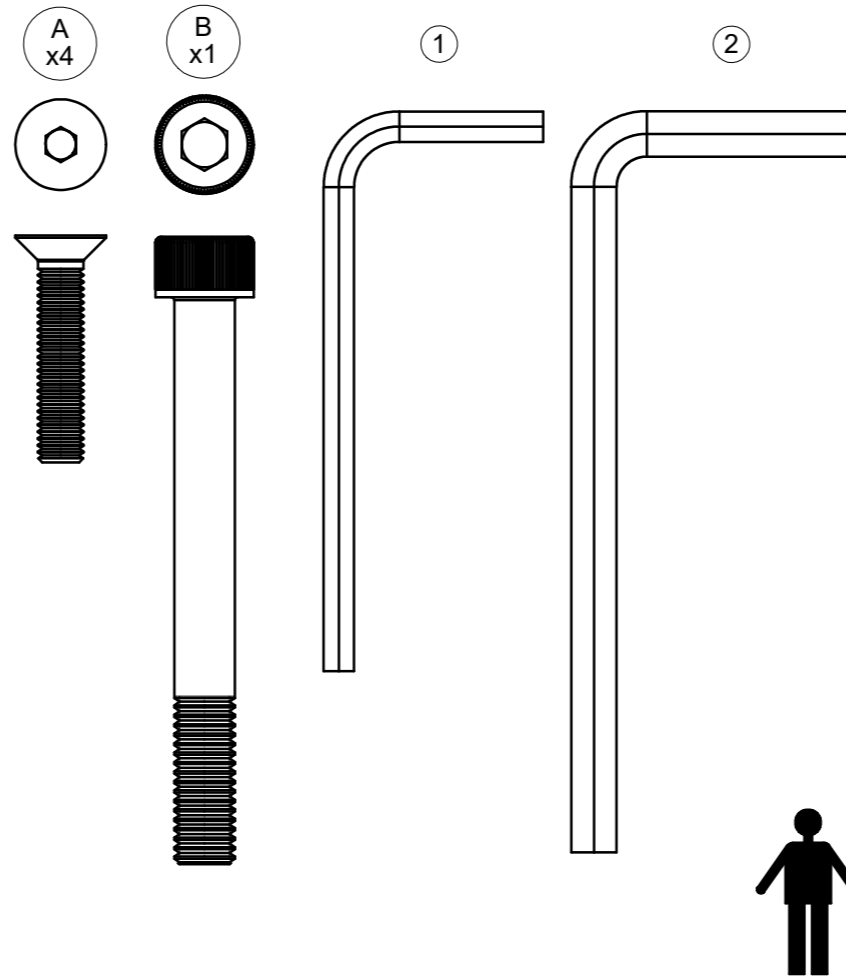
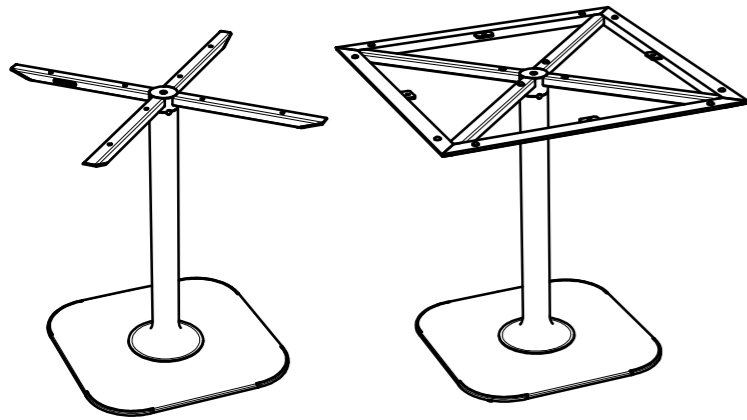


GRID

90 CM SQUARE PEDESTAL DINING TABLE BASE

ASSEMBLY GUIDE



DISTRIBUTED IN THE USA BY:

Gloster Furniture
1075 Fulp Industrial Road
PO Box 738
South Boston
VA 24592
USA

DISTRIBUTED IN EUROPE AND ROW BY:

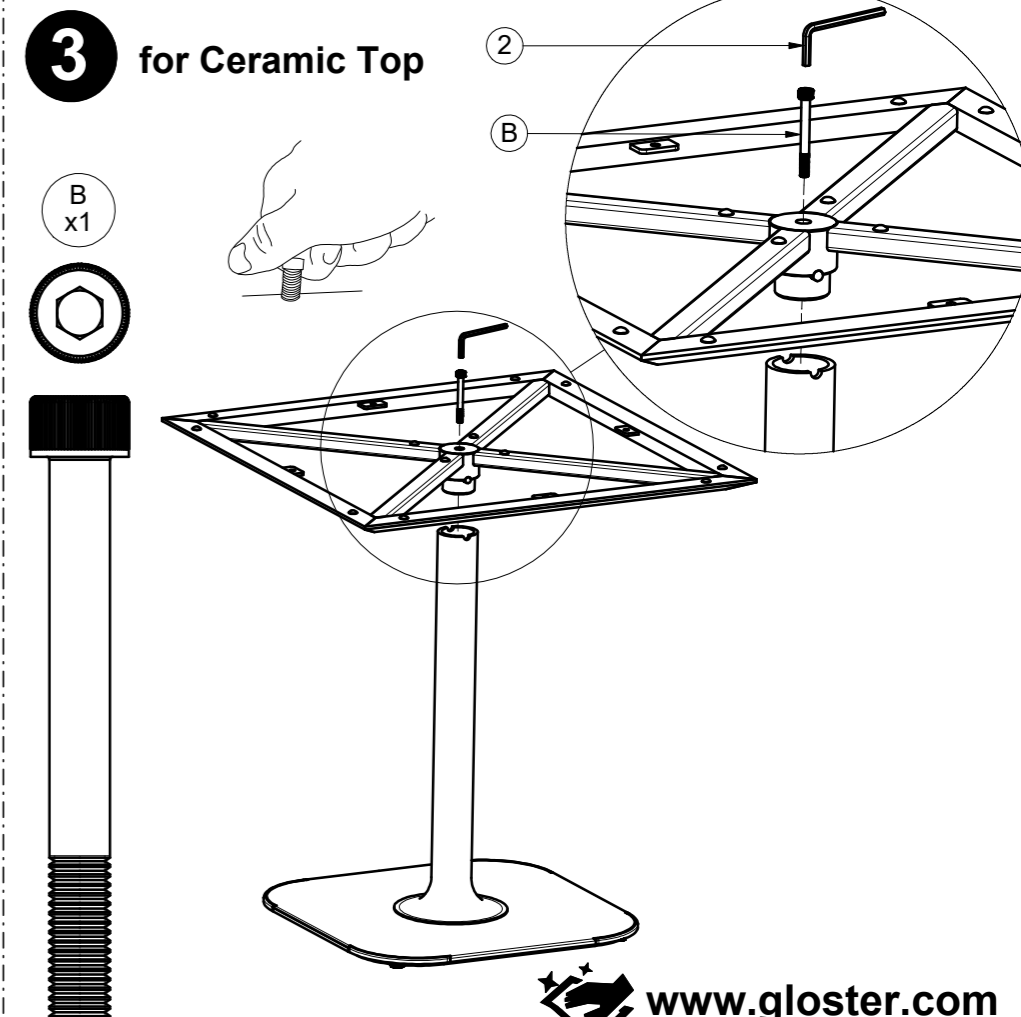
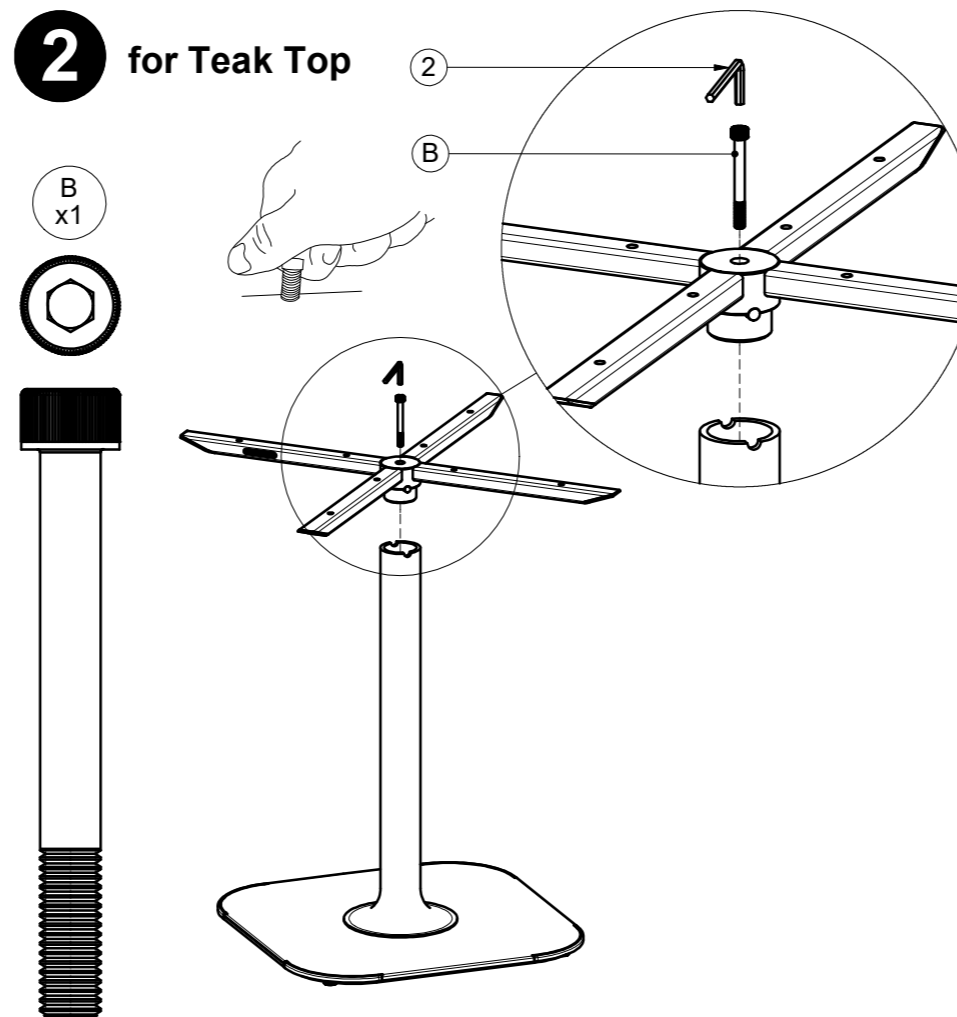
Gloster Furniture GmbH
Zeppelinstrasse 22
21337 Luneburg
Germany
Tel. +49 (0)4131 287530

GENERAL SAFETY GUIDELINES

IMPORTANT, RETAIN FOR FUTURE REFERENCE: READ CAREFULLY

Keep this guide for future reference, do not throw away.
This product is suitable for use in both residential and contract environments.

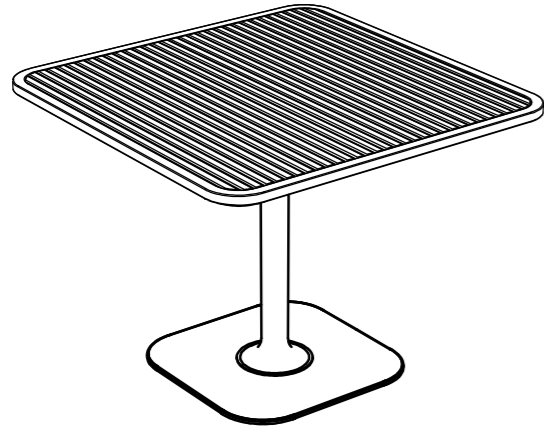
Warranty
www.gloster.com



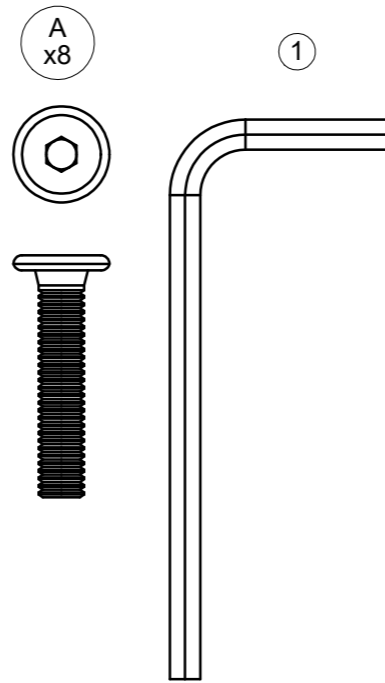
GRID

90 CM SQUARE PEDESTAL DINING TABLE - TEAK

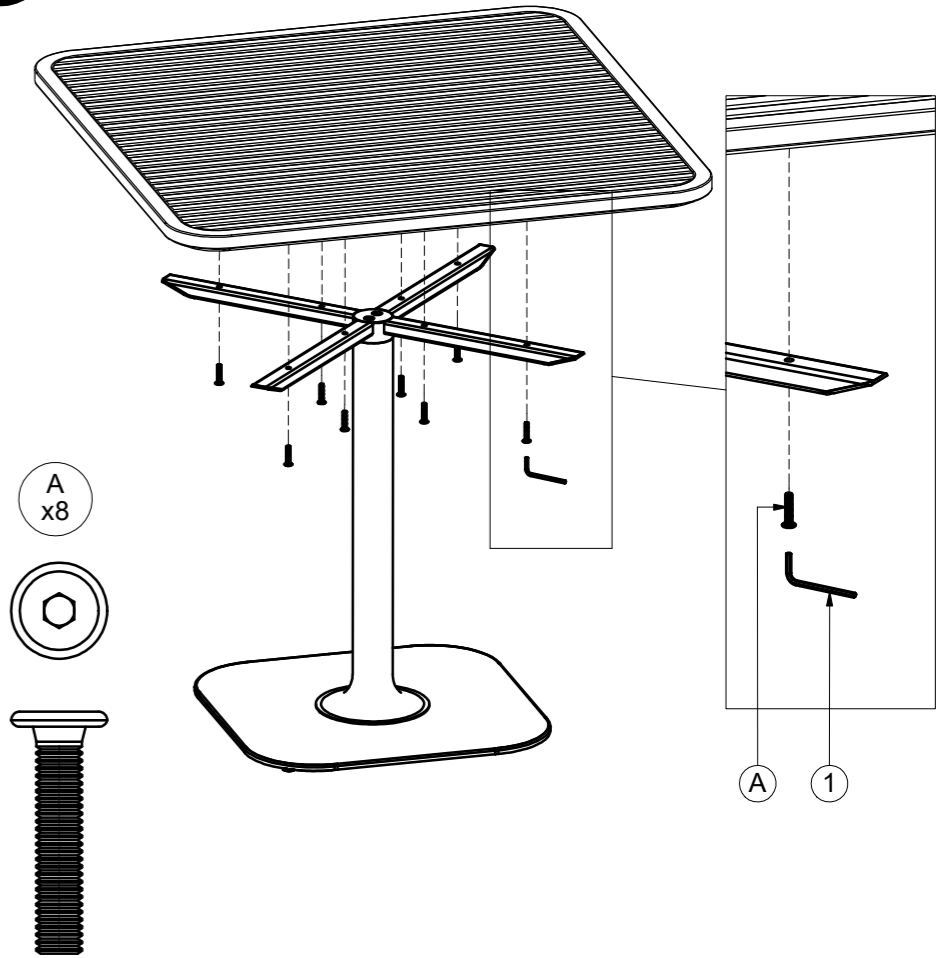
ASSEMBLY GUIDE



 GLOSTER



1



DISTRIBUTED IN THE USA BY:

Gloster Furniture
1075 Fulp Industrial Road
PO Box 738
South Boston
VA 24592
USA

DISTRIBUTED IN EUROPE AND ROW BY:

Gloster Furniture GmbH
Zeppelinstrasse 22
21337 Luneburg
Germany
Tel. +49 (0)4131 287530

GENERAL SAFETY GUIDELINES

IMPORTANT, RETAIN FOR FUTURE REFERENCE: READ CAREFULLY

Keep this guide for future reference, do not throw away.
This product is suitable for use in both residential and contract environments.

Warranty
www.gloster.com

2

