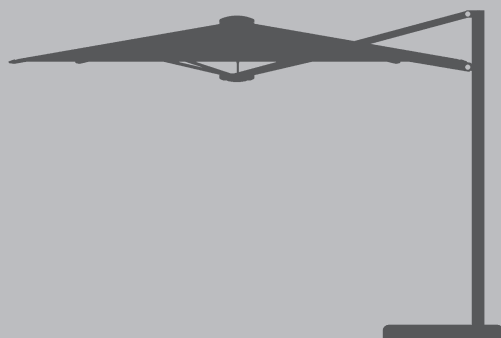


 GLOSTER



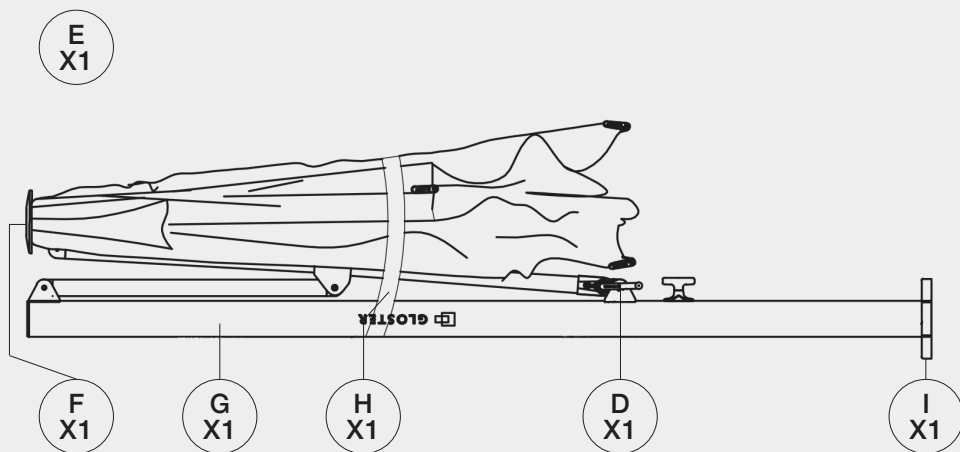
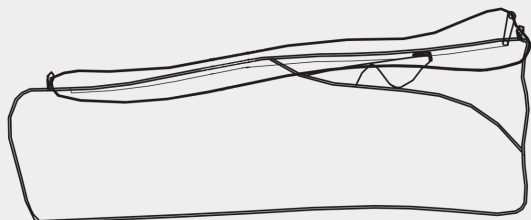
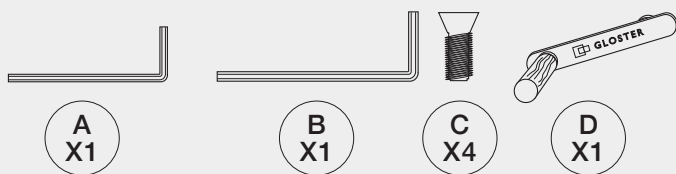
HALO
CANTILEVER PARASOLS

HALO CANTILEVER PARASOLS

Although we all crave the sunlight, shade also has its own unique appeal. The new Halo collection of parasols feature sturdy, aluminium frames and heavy-duty Sunbrella fabric canopies. Available in two sizes, with the Halo cantilever parasols, somewhere to cool off and get away from the midday sun is never far away.

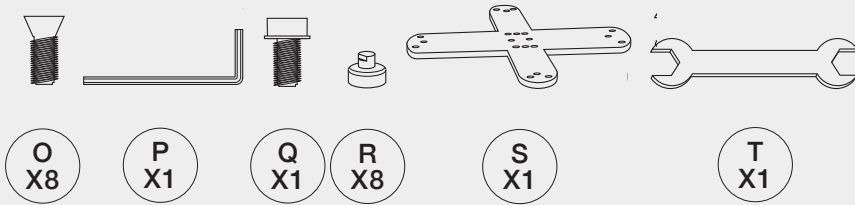
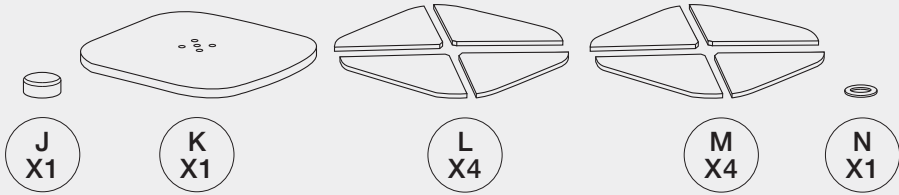
 GLOSTER

PARASOL PARTS



- A #6 Hex Key
- B #2.5 Hex Key
- C Countersunk Screw x4 (M10x30)
- D Crank
- E Cover
- F Finial
- G Frame
- H Strap
- I Base Plate Cover

BASE PARTS



- J Plastic Rod
- K Base Cover
- L 280kg Lower Layer Weighted Plates
- M 160kg Upper Layer Weighted Plates
- N Washer
- O Hexagon Countersunk Screw x8 (M10x20)
- P #6 Hex Key
- Q Cylindrical Head Screw x 2 (M8x12)
- R Stainless Steel Spacer x8
- S Cross Base (inc. foot pad x 2)
- T Open Wrench

ASSEMBLY

1



Ensure base is assembled / placed on flat, solid ground (i).
Do not position on sloping (ii) or uneven / soft (iii) ground.

Base should be positioned correctly BEFORE adding weighted plates.

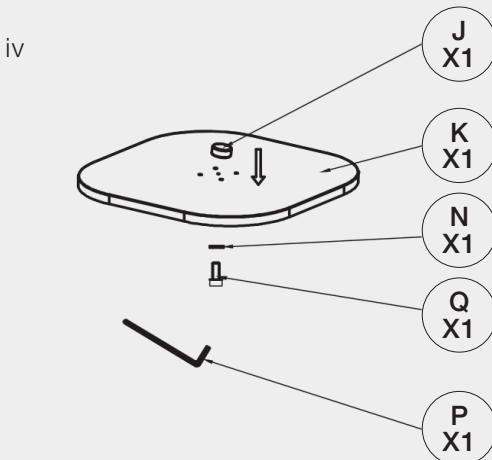
2

Open the cross base, base cover, weighted plate and parts package.
Lay them flat on a clean and soft, non-scratch surface. Check you
have all components as listed on page 'BASE PARTS'.

3

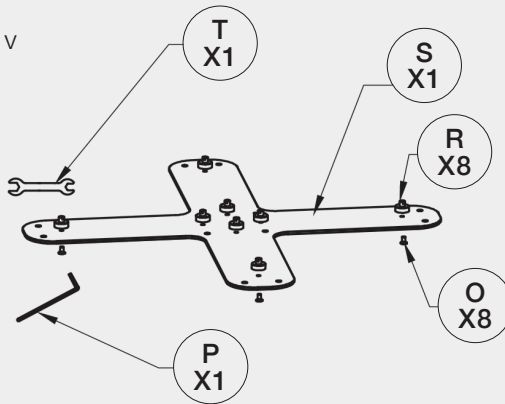
Place the plastic rod on top of the base cover (put the plastic rod
thread downward and align to the central hole of base cover), attach
using hexagon socket cylindrical head screw with washer, tighten with
hex key (see picture iv).

ATTENTION: The plastic rod must align with the central hole of the
base cover and the rod should be on the top of the cover; take care
not to install upside down.



4

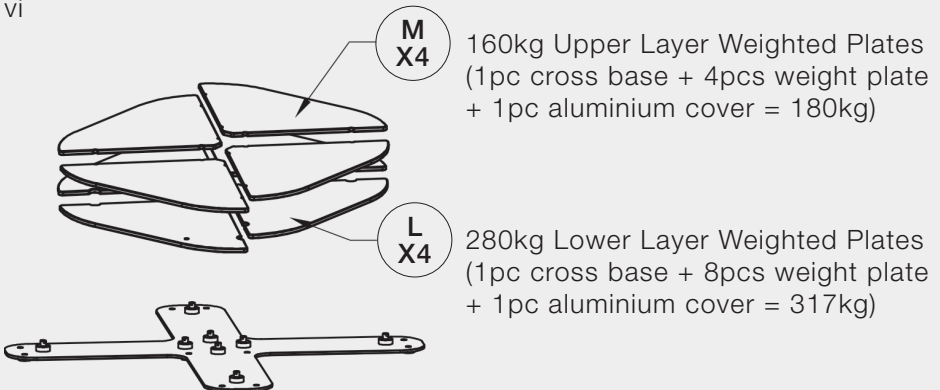
Carefully place the cross base with the foot pad face downward and fasten 8 hexagon countersunk screws into the counter bore, put screw with stainless spacer on top, tighten screws at both sides with an open wrench and a hex key wrench, and put the assembled base on the solid ground. Face the cross base with the foot pad downward, do not install stainless spacers and screws incorrectly (spacers should be on the opposite side of the cross to the feet pads). Be careful to move and place gently. Choose the correct location to place the base and do not move again.



5

Once positioned correctly, carefully place the first 4 weighted plates on the cross base one after one. Then place the remaining 4 weighted plates on top being careful to align correctly and move / place with care. Note that the hole, the weighted plates and stainless bolt on cross base must remain on the same axis.

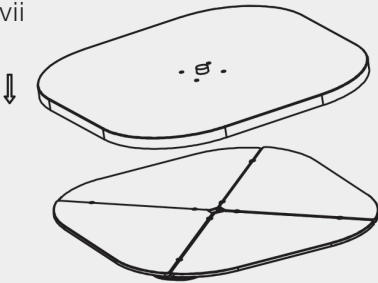
vi



6

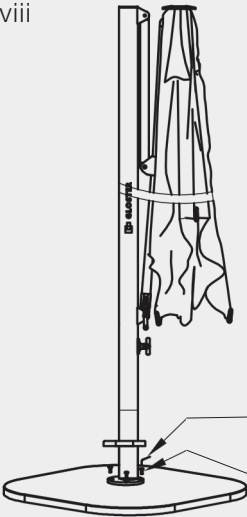
Place the aluminium base cover on top of the base; face the side with the plastic rod upwards. Move / place with care.

vii



7

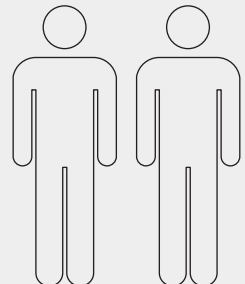
viii



Slide the base plate cover upwards to access the base plate. Position the frame carefully taking care to ensure fixing holes align correctly. Use Countersunk Screw 'C' x4 (M10x30) to fasten into position with #6 Hex Key 'A'.

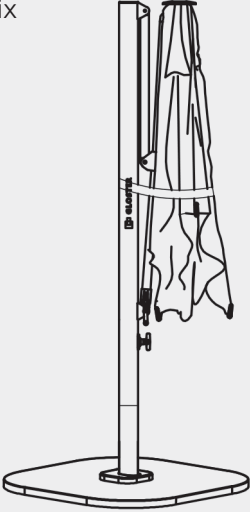
CAUTION

Do not overtighten screws - this will damage the parts. **ATTENTION:** It is recommended to have at least 2 people to avoid an accident or damage to parasol parts when installing.



8

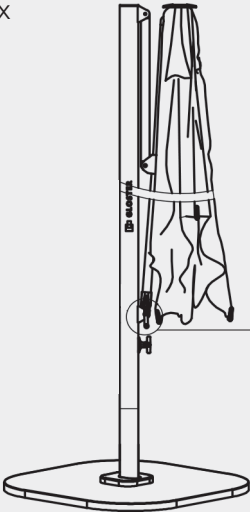
ix



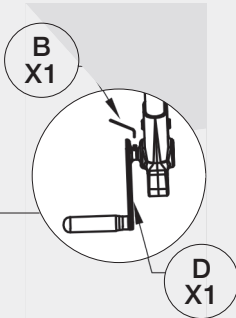
Replace the base plate cover over the base plate.

9

x



Fasten the crank handle into the crank housing using #2.5 hex key, as illustrated.

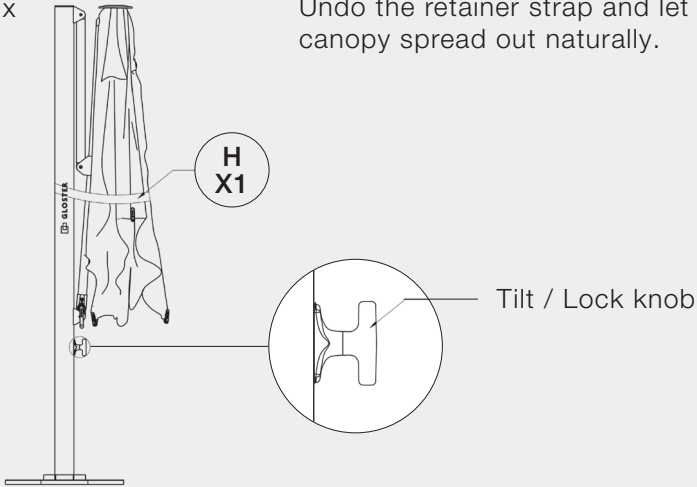


USE

1

ix

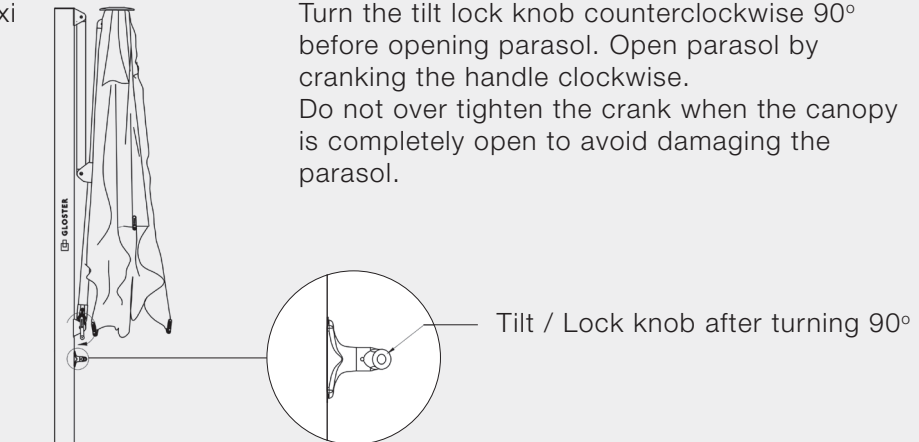
Undo the retainer strap and let the canopy spread out naturally.



2

xi

Turn the tilt lock knob counterclockwise 90° before opening parasol. Open parasol by cranking the handle clockwise. Do not over tighten the crank when the canopy is completely open to avoid damaging the parasol.

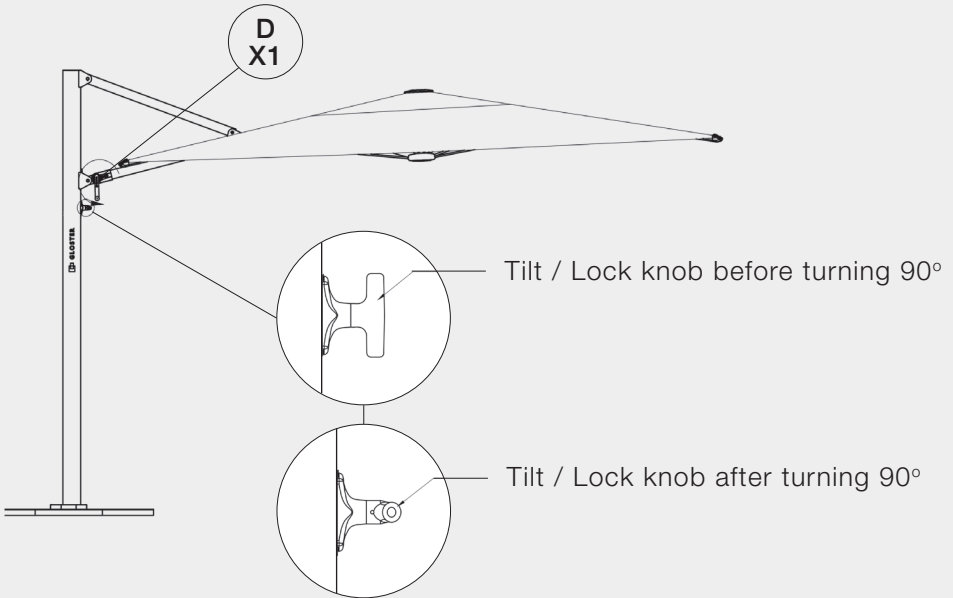


CAUTION

Ensure tilt lock knob is turned 90° counterclockwise before opening canopy to ensure the parasol will open and close correctly.

3

To close the parasol turn the tilt lock knob counterclockwise 90° and then crank the handle counterclockwise.



CAUTION

Do not over tighten the crank when the canopy is completely closed to avoid damaging the parasol.

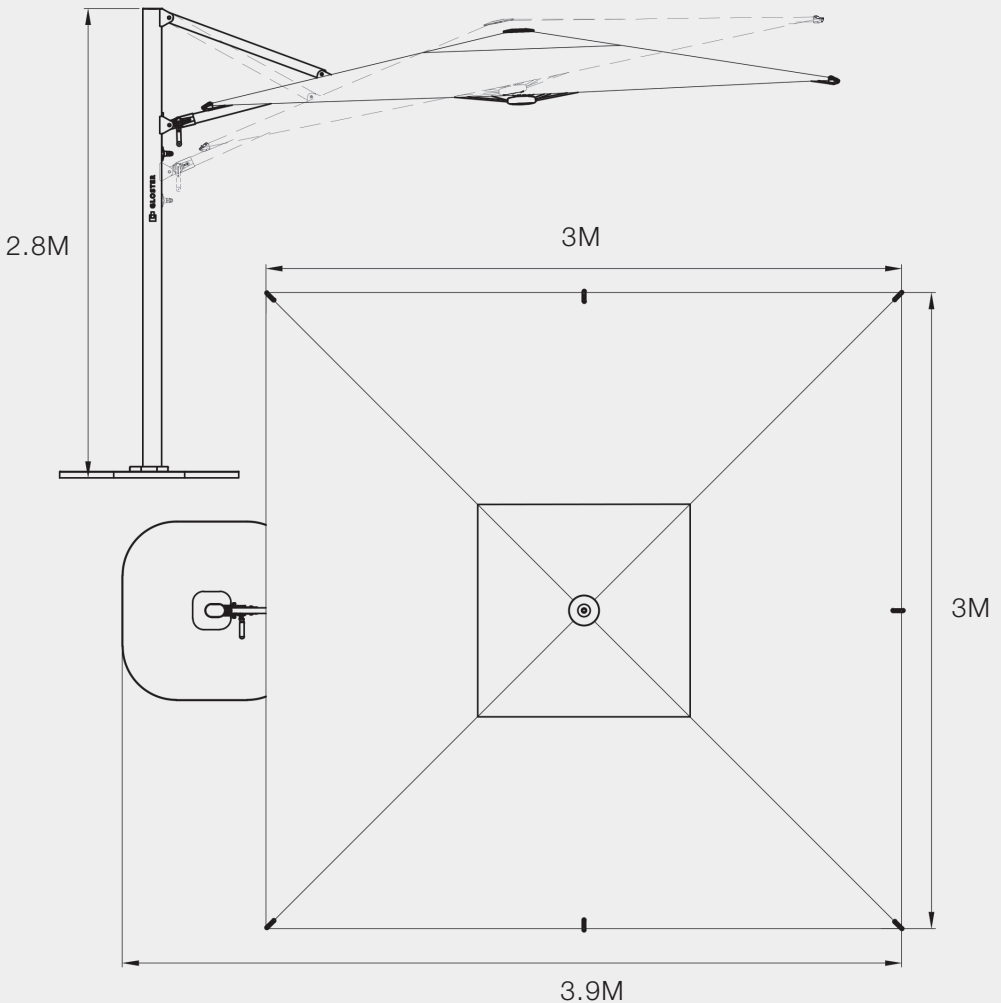
ATTENTION

Make sure to turn the tilt lock knob clockwise 90° after canopy closed. Fasten the retainer strap to secure the canopy fully.

4

A significant amount of space is required to use the parasol fully. Caution should be taken to avoid contact with surrounding buildings, trees or other obstacles; make sure no obstruction can block / damage the parasol when opening.

Minimum space required to fully operate parasol:
4.5M long x 3.5M wide x 3.2M high.



5

The parasol can be adjusted at will using the 360° rotation function via the mast rotation handle.

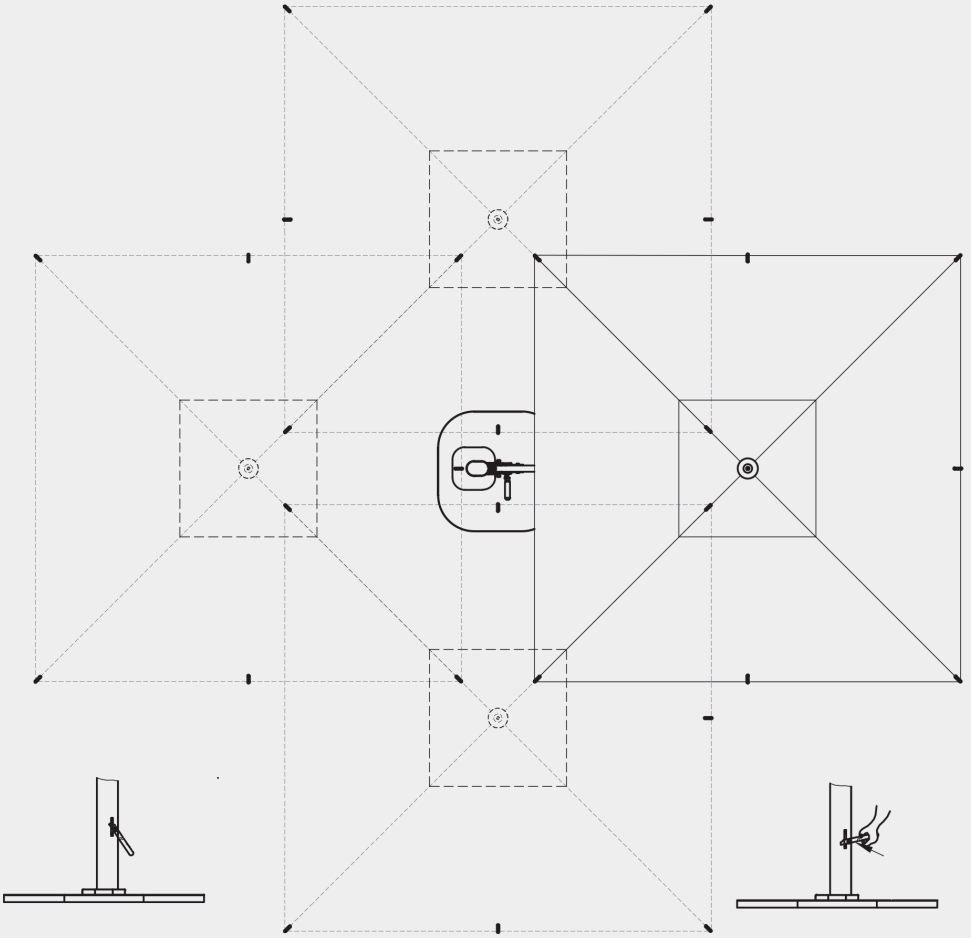
ATTENTION

Make sure that there is enough space to safely change the parasol position. Take care to avoid buildings, trees and other obstacles when rotating to avoid damage to parasol or surrounding property.

To adjust the parasol position, lift the mast rotation handle as illustrated, before pushing left or right to rotate the frame.

Do not adjust parasol position while fully open as small gusts of wind may affect your ability to control the rotation and potentially cause damage to the parasol or surrounding property.

NEVER adjust parasol in strong winds (wind speed level 3 or above 5.4m/s).



Mast Rotation Handle

Hold up the Mast Rotation Handle

STORAGE

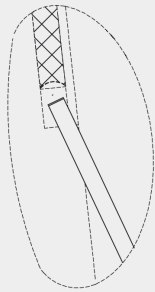
To apply the protective cover, first assemble the aluminium rod (i); then put the assembled rod into the internal pocket of the protective cover (ii). Finally, use the aluminium rod to place protective cover fully over the parasol before pulling the rope to fasten zip (iii). To remove the protective cover, reverse these steps.

i



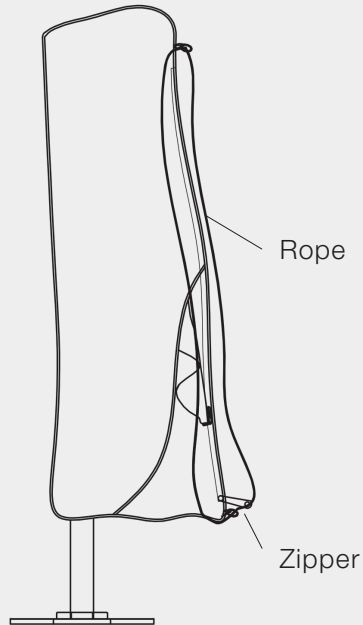
Aluminium Rod

ii



Internal Pocket of Protective Cover

iii



Cover on Parasol

Rope

Zipper

GENERAL INFORMATION

The Halo Cantilever Parasols are suitable for wind conditions under level 5 wind speed or 10.7 m/s. If wind speed is beyond level 5 or 10.7 m/s), do not use the parasol.

Store the parasol with the protective cover in place to extend its reliability.

During extreme weather conditions (hail storms, heavy snow or torrential rain), put away the parasol using the strap, and put on the protective cover for better protection.

Please retain these instructions for future use.

Only use parasol in accordance with these instructions.

Only assemble the product following the instructions contained within this manual.

Observe safety instructions and warnings to avoid injury or damage to the product.

Not to be used near open flame or sources of strong heat such as patio heater or barbecues.

Do not suspend any objects from the arms or cross members of the parasol.

Use only original spare parts.

Check parasol regularly for damage or excessive wear. Do not continue to use if parasol is damaged or showing signs of excessive wear.

Be aware of people or objects within the range of the parasol while adjusting or rotating to avoid injury or damage to the product.

For care & maintenance information, visit www.gloster.com

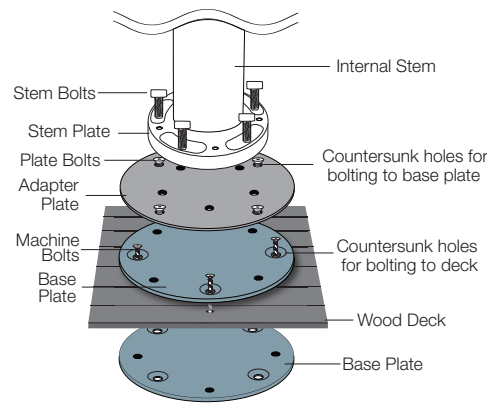
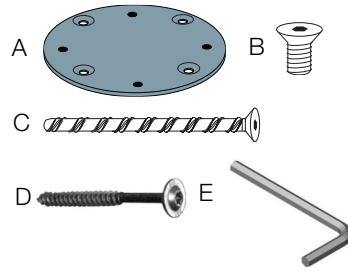


WWW.GLOSTER.COM

WOODEN DECK MOUNT KIT

Wooden Deck Mount Kit includes:

- A - Base Plate (2)
- B - Plate Bolts (4)
- C - Machine Bolts (4) - NOT INCLUDED
- D - Deck Screws (8) - NOT INCLUDED
- E - Allen Wrench



STEP 1 Base Plate

Locate one base plate in the desired location on the deck. The base plate should overlap two deck planks evenly. Orient the base plate so that the proper alignment is ensured.

STEP 2 Drilling Deck Planks

Mark the four countersunk holes onto the deck for drilling. Drill four 10mm holes through the deck planks for the machine bolts. Remove enough deck screws or nails from these planks to be able to install one base plate underneath the planks.

STEP 3 Attach Base Plates

Attach the two base plates together, one on either side of the deck planks, using the machine bolts. Insert the machine bolts downward through the countersunk holes in the top base plate, through the planks, and screw them into the threaded holes in the bottom base plate. Make sure they are very tight.

STEP 4 Refasten Deck Planks

Refasten the deck planks to the joists by screwing the 8 structural deck screws in the original holes closest to the base plate. Two structural deck screws should be used on either side of the base plate in each plank.

STEP 5 Bolt Adapter Plate

Bolt the newly attached adapter plate to the top of the base plate using the four (4) plate bolts and allen wrench. Insert the plate bolts downward through the flanged holes in the adapter plate and screw them into the threaded holes in the top of the base. Make sure they are very tight.

STEP 6 Bolt Internal Stem

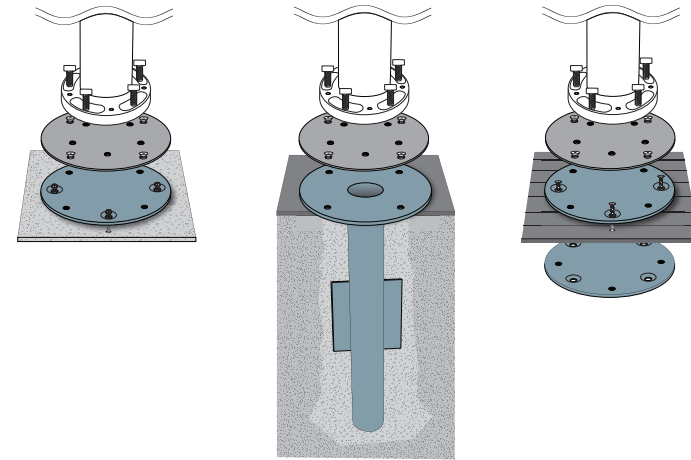
Bolt the internal stem plate to the top adapter plate using the five (5) stem bolts and allen wrench included with umbrella. Insert the stem bolts downward through the holes in the internal stem plate and screw them into the threaded holes in the top adapter plate. Make sure they are very tight.

You are now ready to operate your umbrella!

REMOVAL:

To remove your umbrella for seasonal storage or to move it to another base plate or in-ground fitting, simply undo the stem bolts and remove the umbrella from the base plate, leaving an unobtrusive base plate on your deck.

concrete
in-ground
wooden
mount kits
for corona, astral-tc,
orion, sirius & polaris



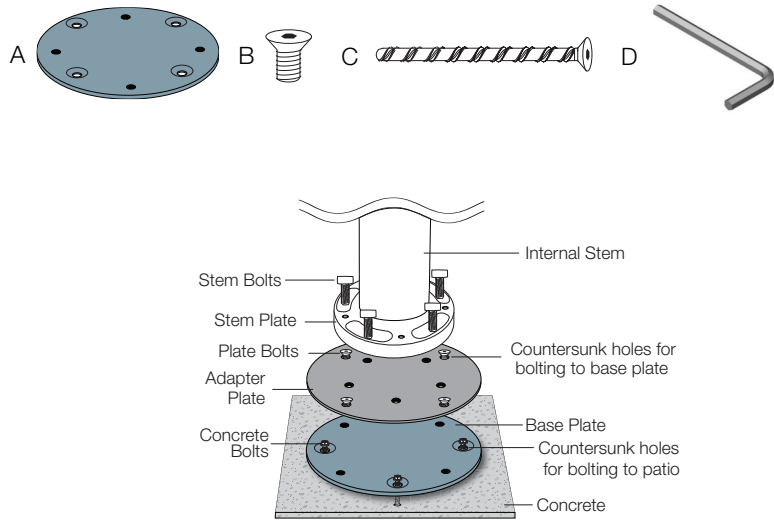
shademaker[™]
a r c h i t e c t u r a l s h a d e

assembly and operation guide

CONCRETE MOUNT KIT

Concrete Mount Kit includes:

- A - Base Plate
- B - Plate Bolts (4)
- C - Concrete Bolts - Four (4) 8mm diameter, approx. 4" length - NOT INCLUDED
- D - Allen Wrench



STEP 1 Bolt Base Plate

Bolt the base plate to an existing concrete slab (or through no thicker than 1" pavers or tiles adhered to a concrete slab) using special concrete bolts.

STEP 2 Bolt Adapter Plate

Bolt the newly attached adapter plate to the base plate using the four (4) plate bolts and allen wrench. Insert the plate bolts downward through the flanged holes in the adapter plate and screw them into the threaded holes in the top base plate. Make sure they are very tight.

STEP 3 Bolt Internal Stem

Bolt the internal stem plate to the adapter plate (included with umbrella) using the five (5) stem bolts and allen wrench included with umbrella. Insert the stem bolts downward through the holes in the internal stem plate and screw them into the threaded holes in the top adapter plate. Make sure they are very tight.

You are now ready to operate your umbrella!

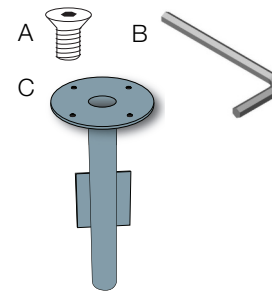
REMOVAL:

To remove your umbrella for seasonal storage or to move it to another base plate or in-ground fitting, simply undo the stem bolts and remove the umbrella from the base plate.

IN-GROUND FITTING KIT

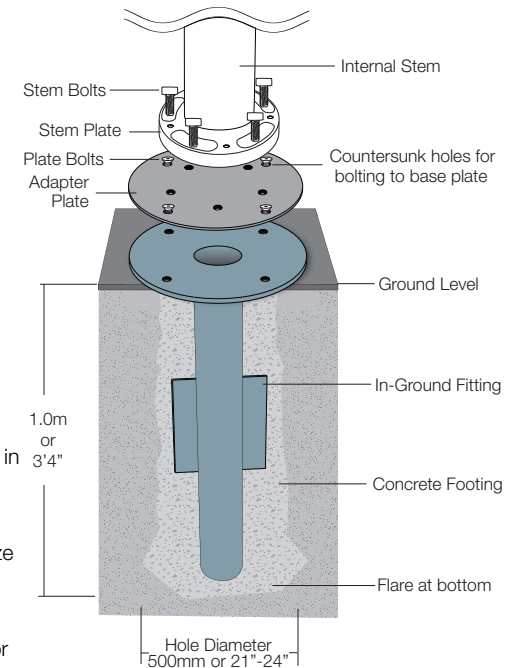
In-Ground Fitting Kit includes:

- A - Plate Bolts (4)
- B - Allen Wrench
- C - In-Ground Fitting



STEP 1 Preparation

The in-ground fitting needs concreting in the ground per the diagram (bottom). The hole size recommended assumes the terrain is thick clay. Should the terrain be fine soil or sand, the hole size should be increased. The recommended installation requires .50 cubic yards of concrete for silty or fine soil and .25 cubic yards of concrete for heavy clay.



The in-ground fitting may also be built into newly poured concrete. For a perfect flush mount, set the plate of the fitting 3/8" below the final surface grade. When you add the 3/8" thick internal stem to the plate, the internal stem will be flush with the concrete.

STEP 2 Bolt Adapter Plate

Once installed and the concrete has cured, bolt the newly attached adapter plate to the top of the in-ground fitting using the four (4) plate bolts and allen wrench. Insert the plate bolts downward through the flanged holes in the adapter plate and screw them into the threaded holes in the top of the in-ground fitting. Make sure they are very tight.

STEP 3 Bolt Internal Stem

Bolt the internal stem plate to the top adapter plate using the five (5) stem bolts and allen wrench included with umbrella. Insert the stem bolts downward through the holes in the internal stem plate and screw them into the threaded holes in the top adapter plate. Make sure they are very tight.

You are now ready to operate your umbrella!

IMPORTANT: When concreting the in-ground fitting in place, make sure not to get slurry in the screw threads. Either apply tape over the holes on both sides of the fitting or place the stem bolts in the threads and withdraw them with the concrete is set. Make sure that the in-ground fitting is perfectly level. Allow the concrete to cure for the appropriate cure time for your area before installing the umbrella onto the fitting.

REMOVAL:

To remove your umbrella for seasonal storage or to move it to another base plate or in-ground fitting, simply undo stem bolts and remove the umbrella from the in-ground fitting.