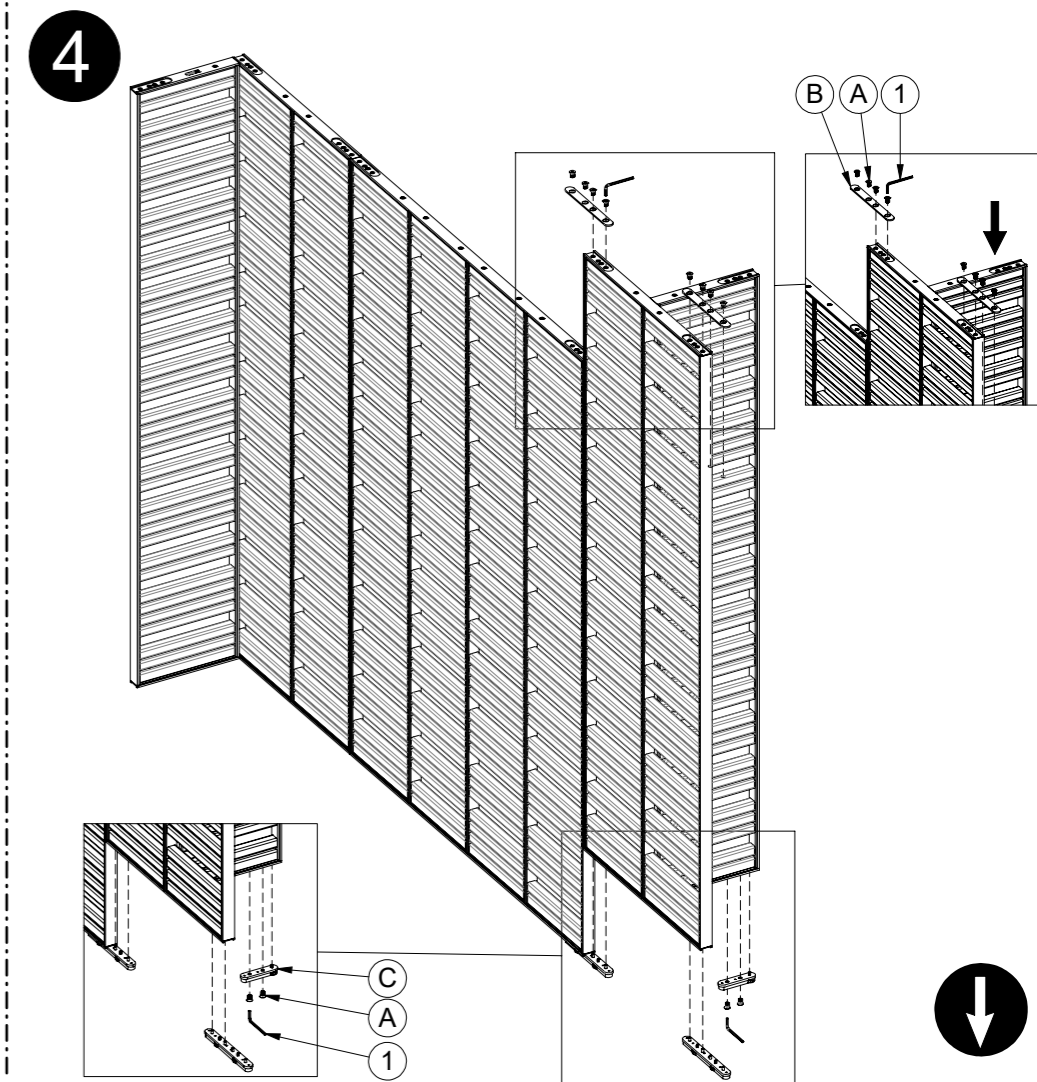
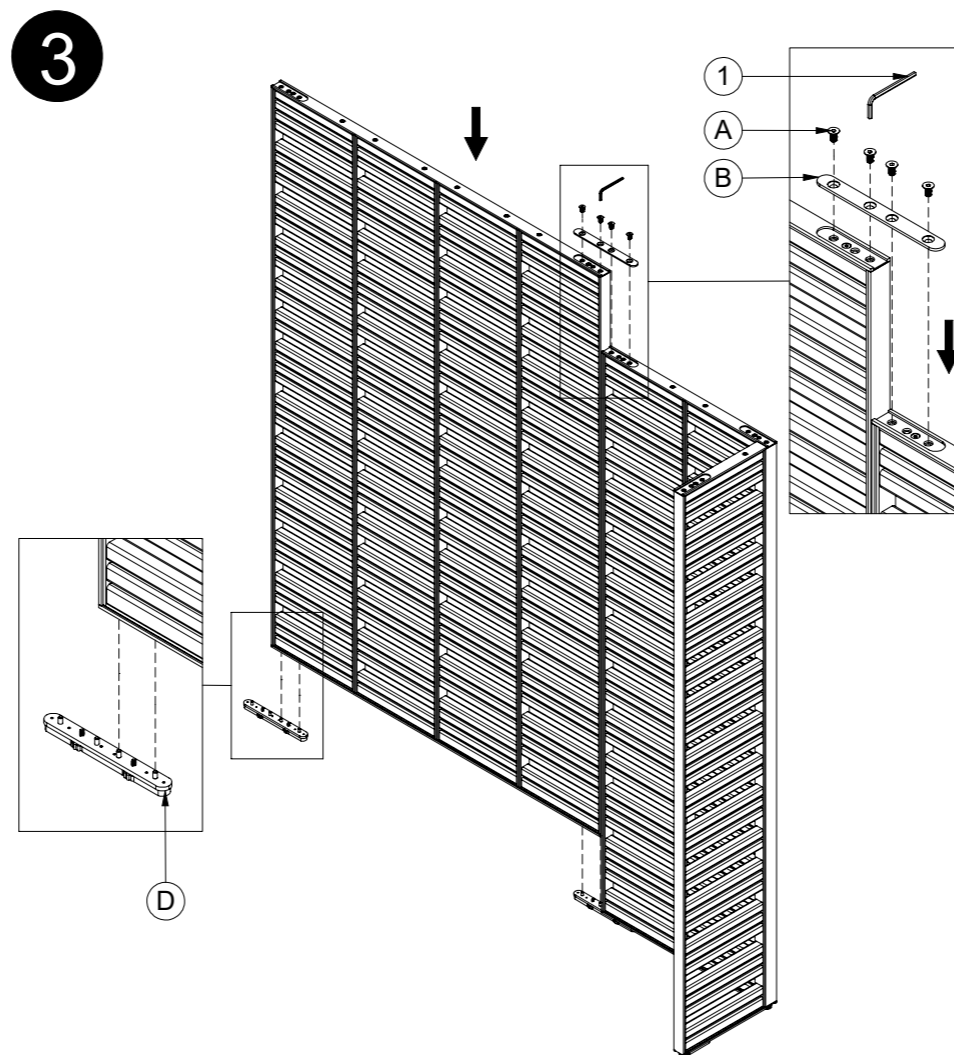
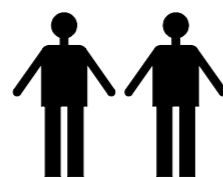
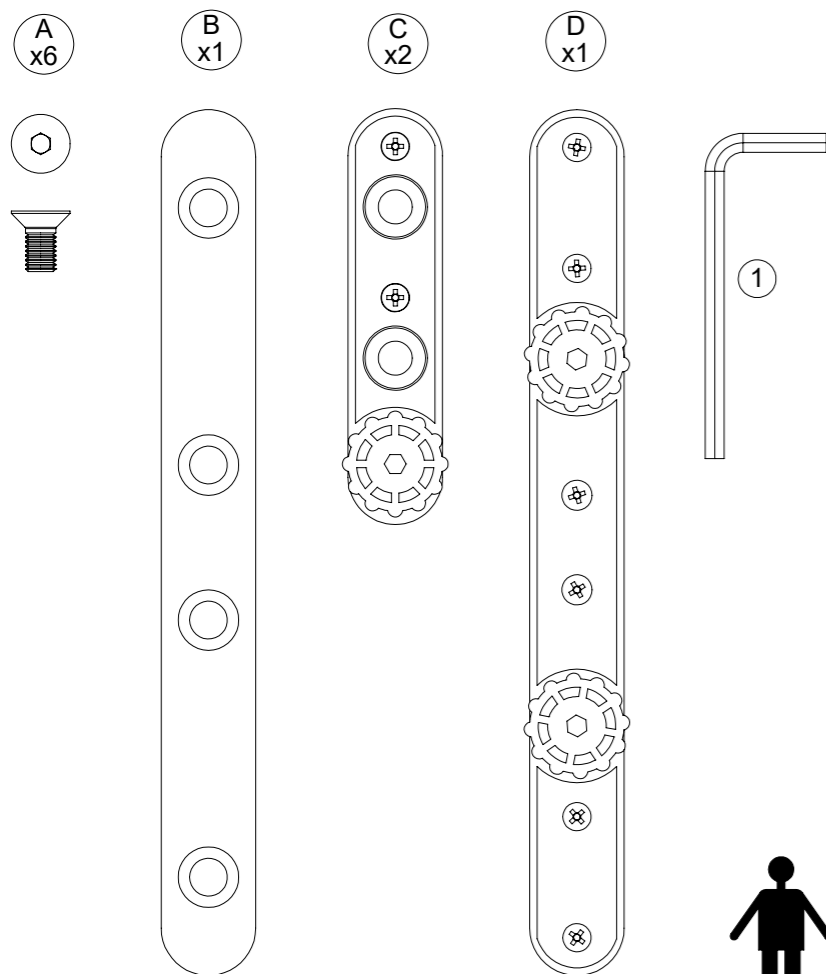
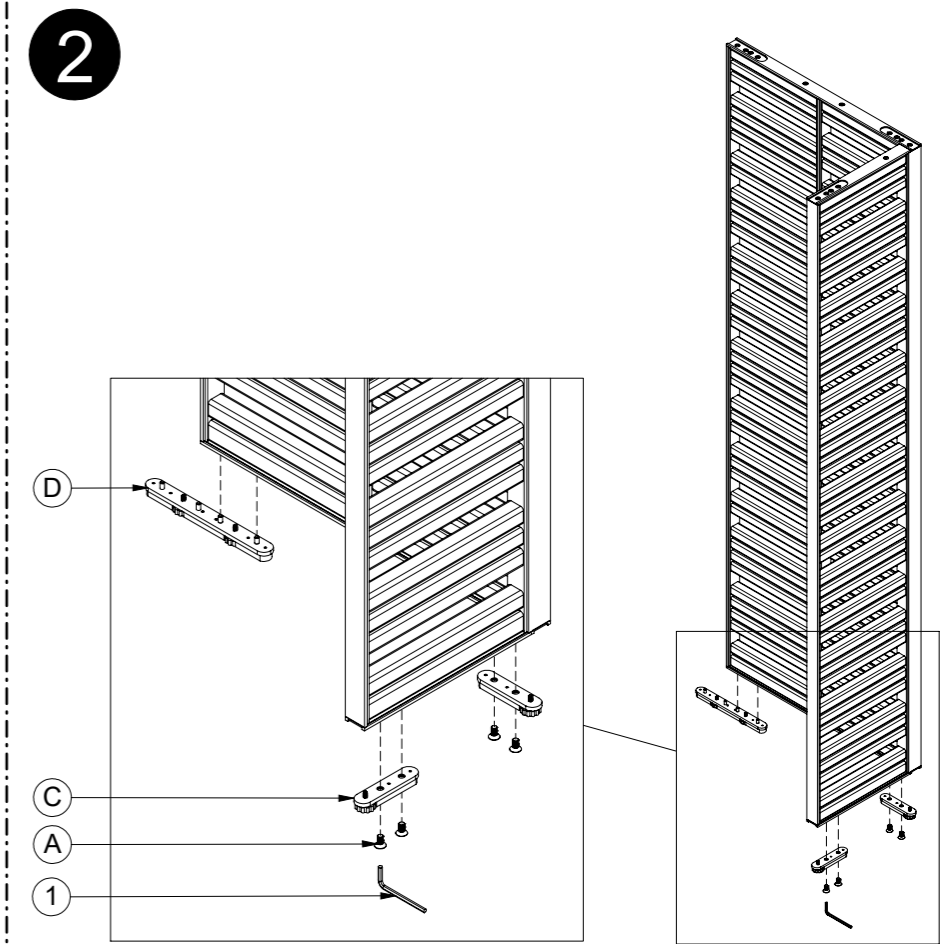
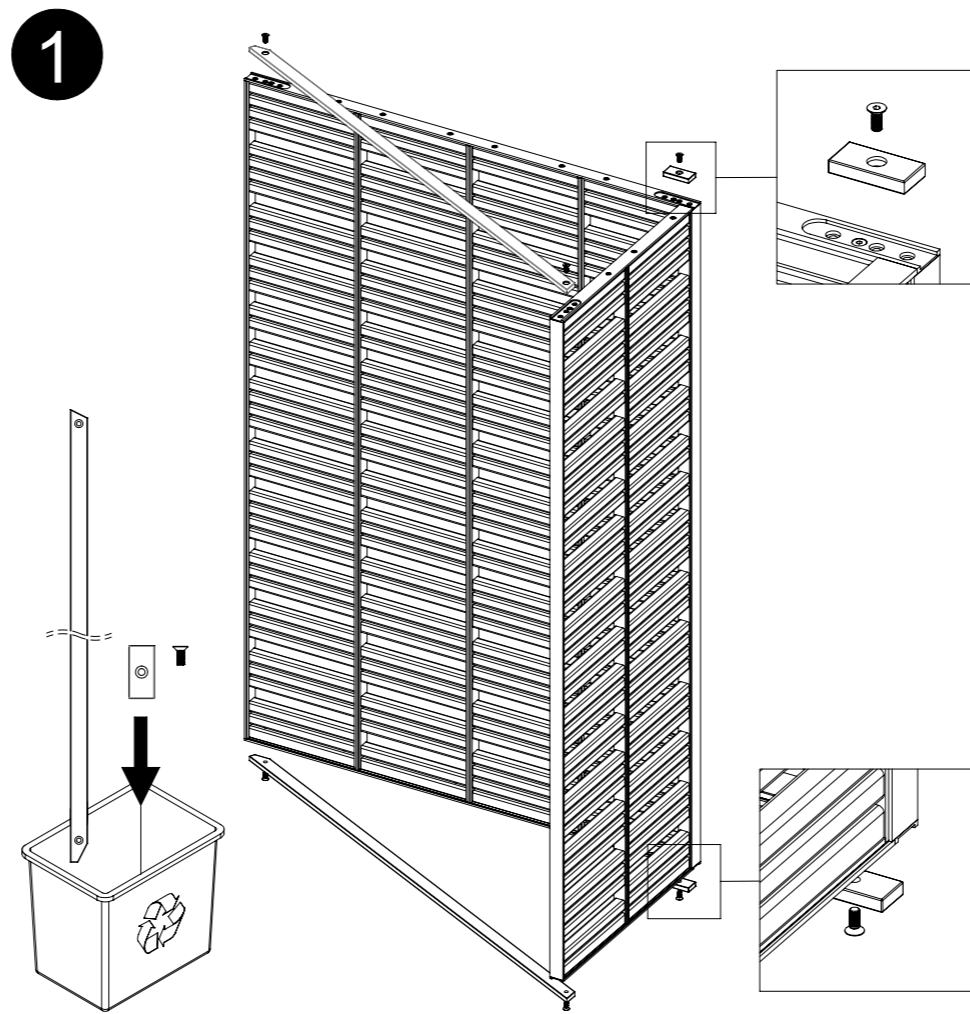
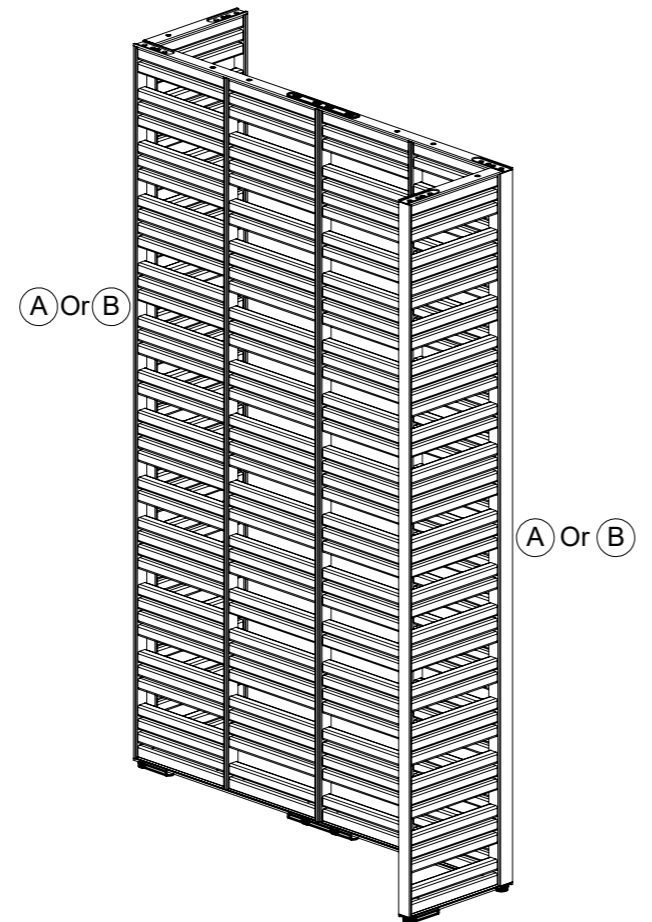
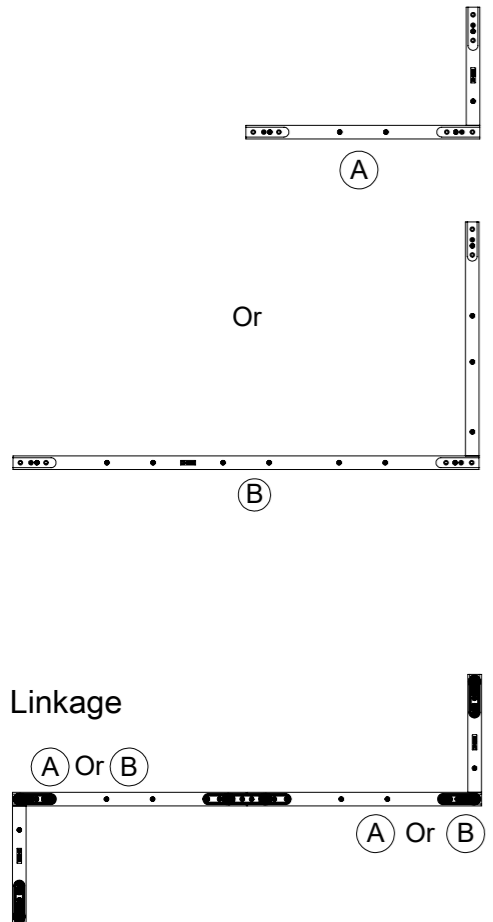


Linkage

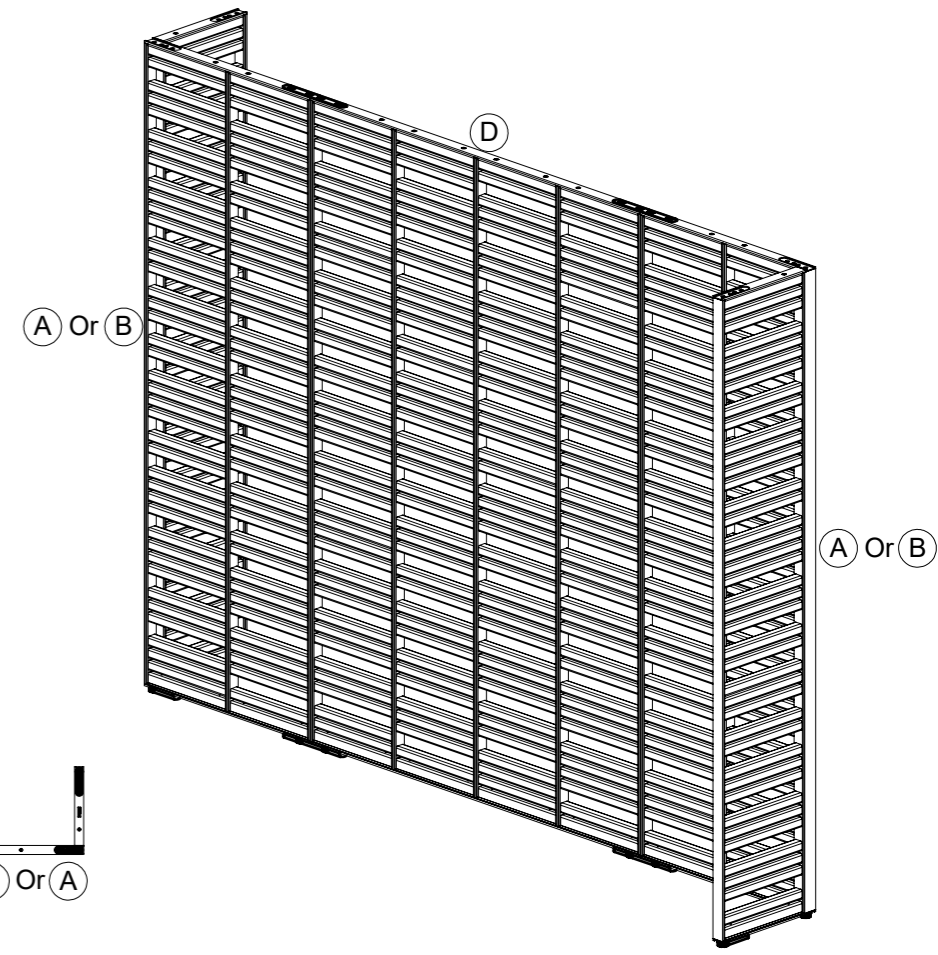
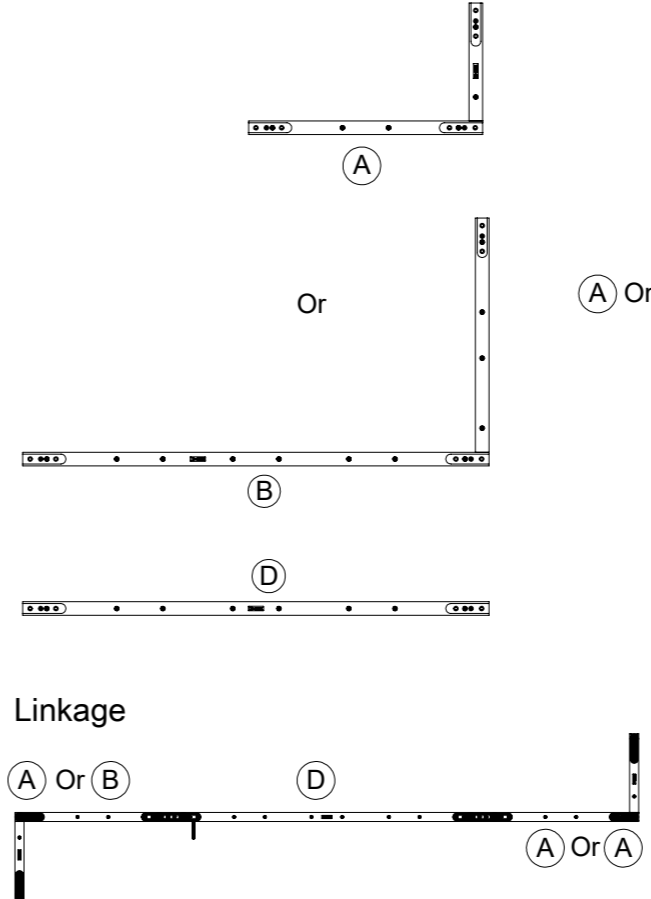
- Outdoor Screen Straight Section
- Outdoor Screen "T" Section
- Outdoor Screen Small "L" Section
- Outdoor Screen Large "L" Section



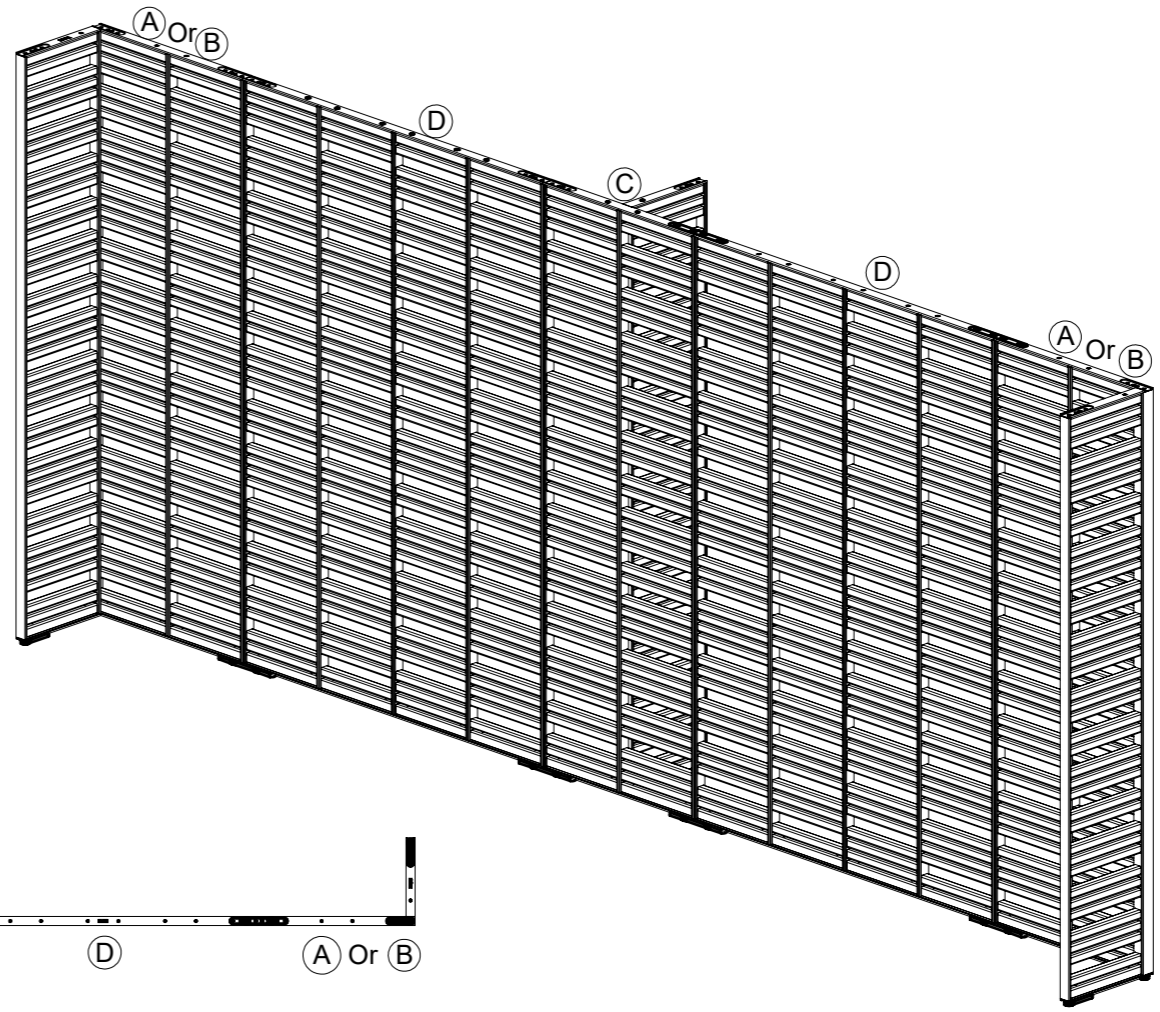
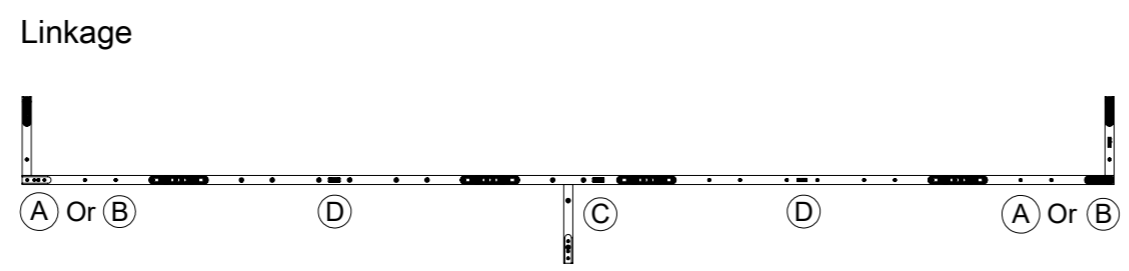
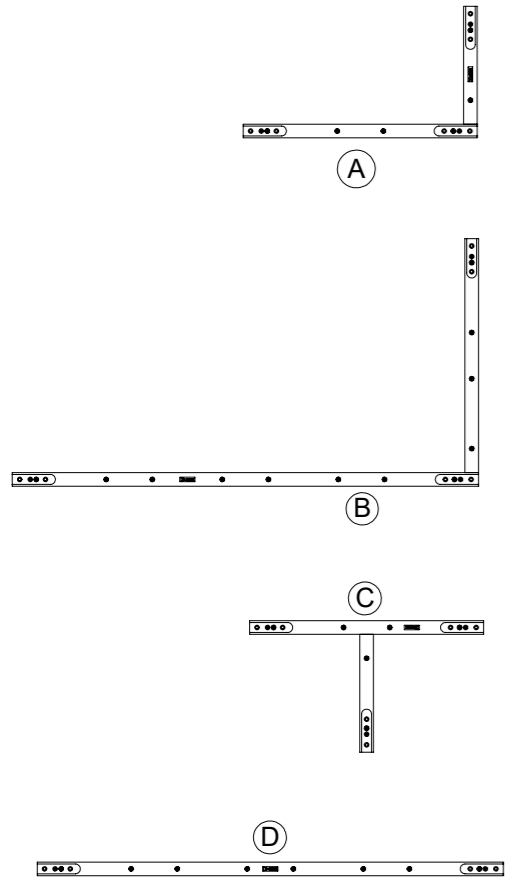
5



6



7



## SCREENS USAGE GUIDE

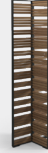
**A**  
SMALL "L" SCREEN



**B**  
LARGE "L" SCREEN



**C**  
"T" SCREEN



**D**  
STRAIGHT SCREEN



ALWAYS COMBINE AT LEAST 2 SCREENS THAT ALLOW A SUPPORTING PANEL TO THE FRONT AND THE BACK

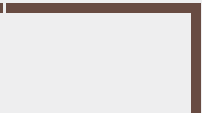
A or B



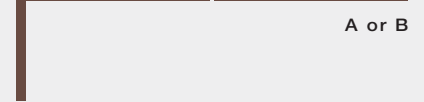
A or B



A or B



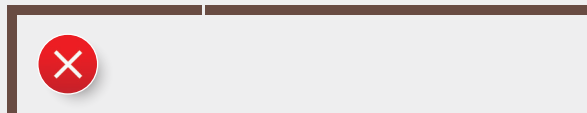
A or B



A or B

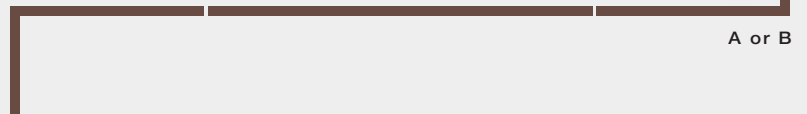
THE STRAIGHT SCREEN MUST ALWAYS BE CONNECTED TO ANOTHER SCREEN ON BOTH EDGES

A or B



D

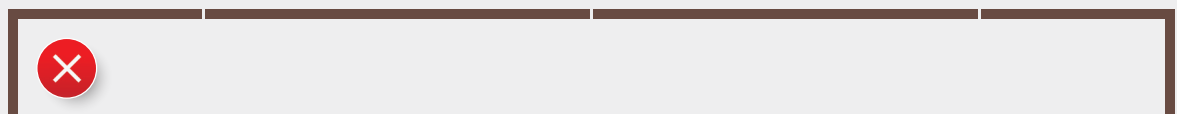
A or B



A or B

ON LONGER RUNS OF SCREENS, EVERY OTHER SCREEN MUST HAVE A T-SHAPE SUPPORTING PANEL TO THE FRONT OR BACK

A or B



D

D

A or B

A or B



D

C

D

A or B