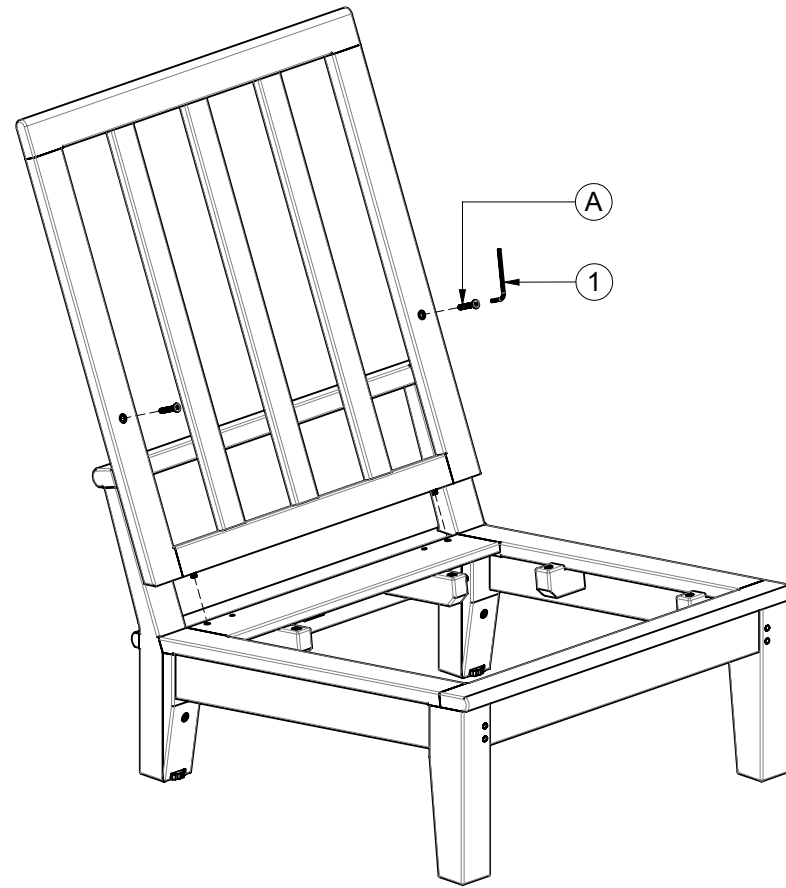
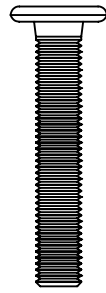


325

Ventura Sectional Deep Seating Centre Unit

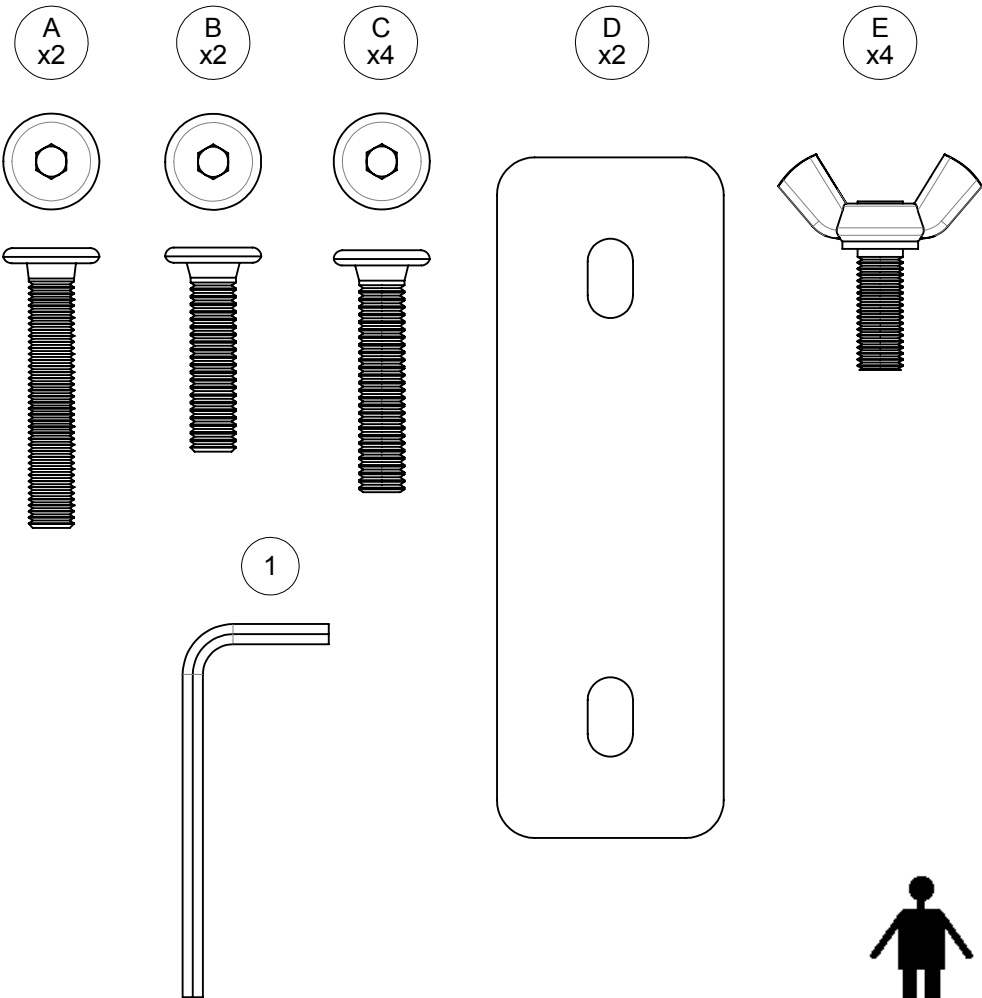
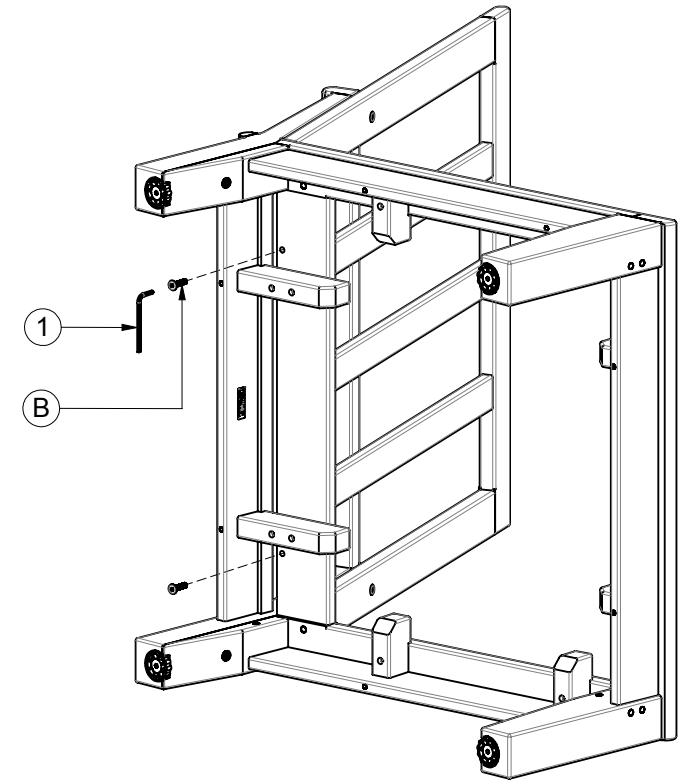
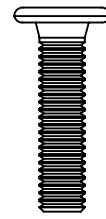
1

A  
x2



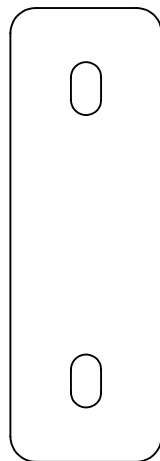
2

B  
x2

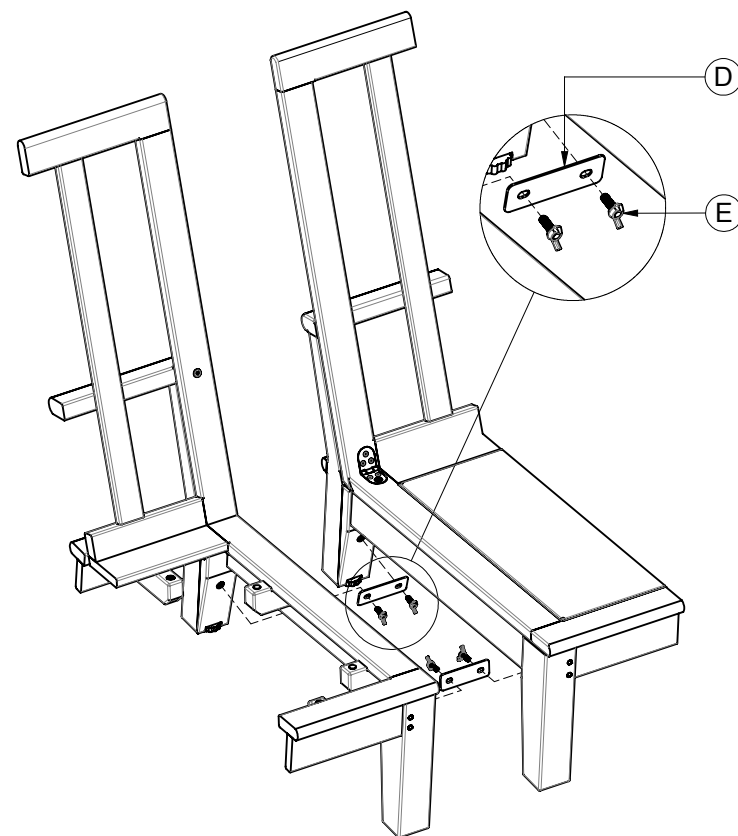
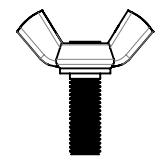


3

D  
x2

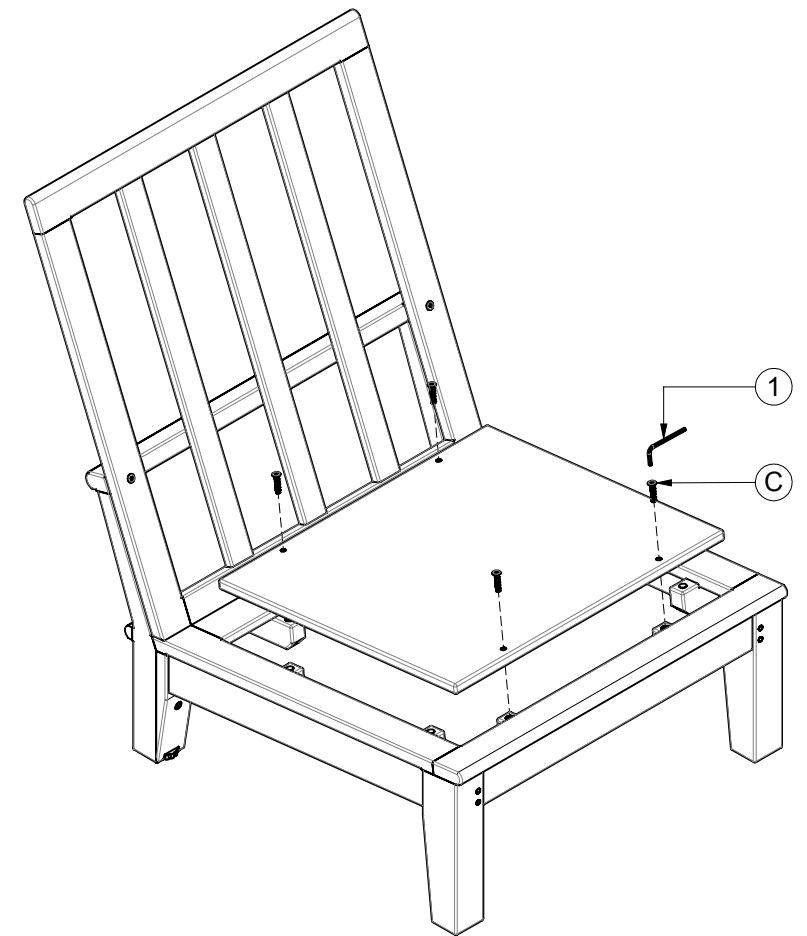
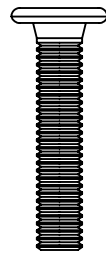


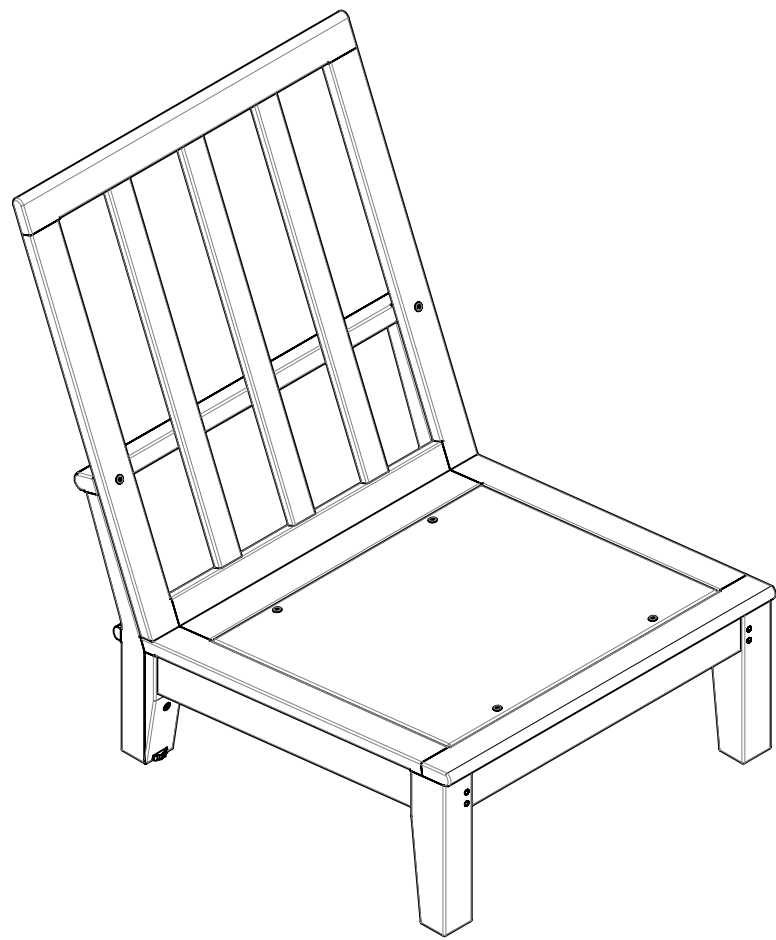
E  
x4



4

C  
x4





LINKAGE:

