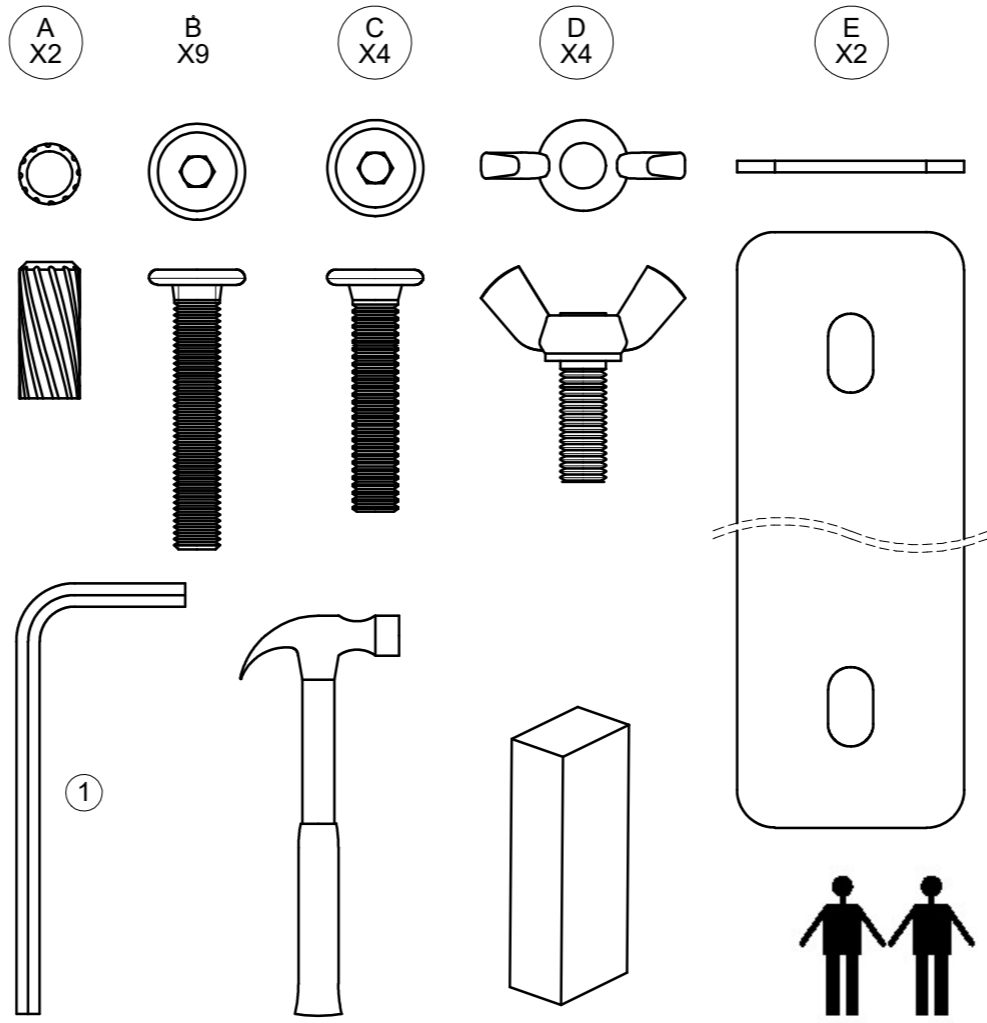
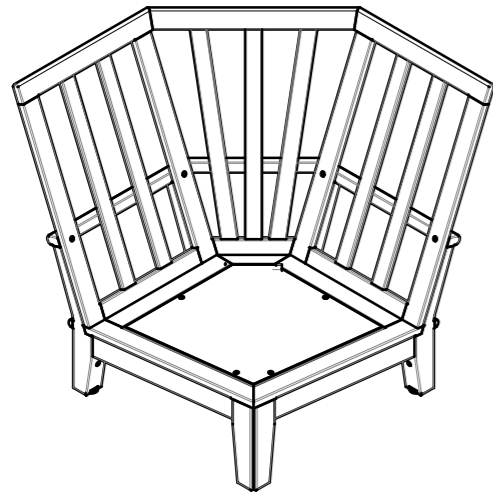


VENTURA

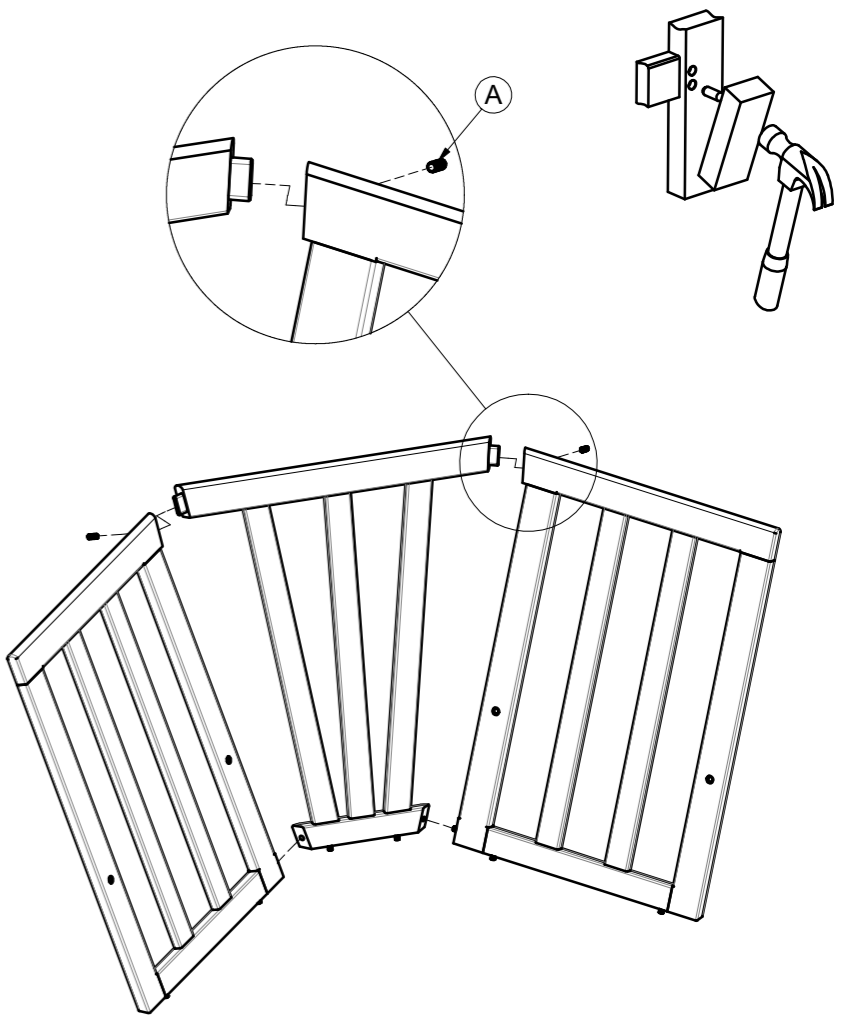
SECTIONAL DEEP SEATING CORNER UNIT

ASSEMBLY GUIDE



1

A X2



DISTRIBUTED IN THE USA BY:

Gloster Furniture
1075 Fulp Industrial Road
PO Box 738
South Boston
VA 24592
USA

DISTRIBUTED IN EUROPE AND ROW BY:

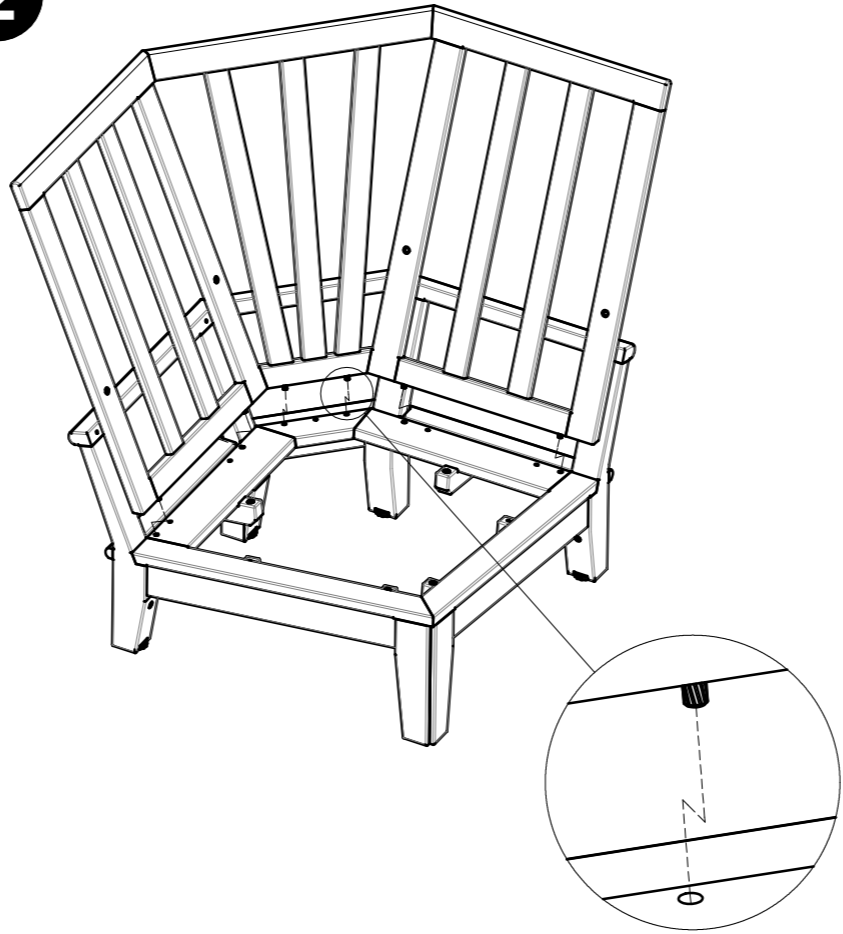
Gloster Furniture GmbH
Zeppelinstrasse 22
21337 Luneburg
Germany
Tel. +49 (0)4131 287530

GENERAL SAFETY GUIDELINES

Read this guide carefully before using the product.
Keep this guide for future reference, do not throw away.
Only use the product in accordance with these instructions. Failure to follow the instructions contained within the user guide can result in damage to the product, and the warranty will become void.
Any responsibility is disclaimed due incorrect use of the product.
This product is suitable for use in both residential and contract environments.

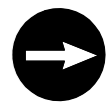
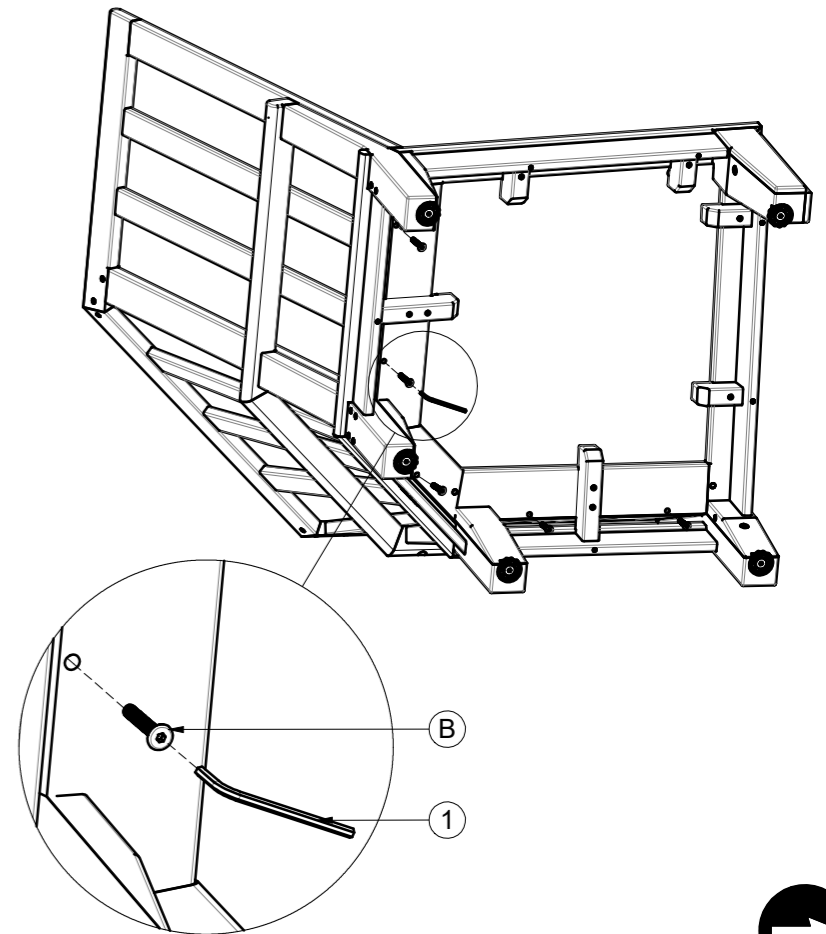
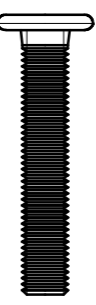
Warranty
www.gloster.com

2

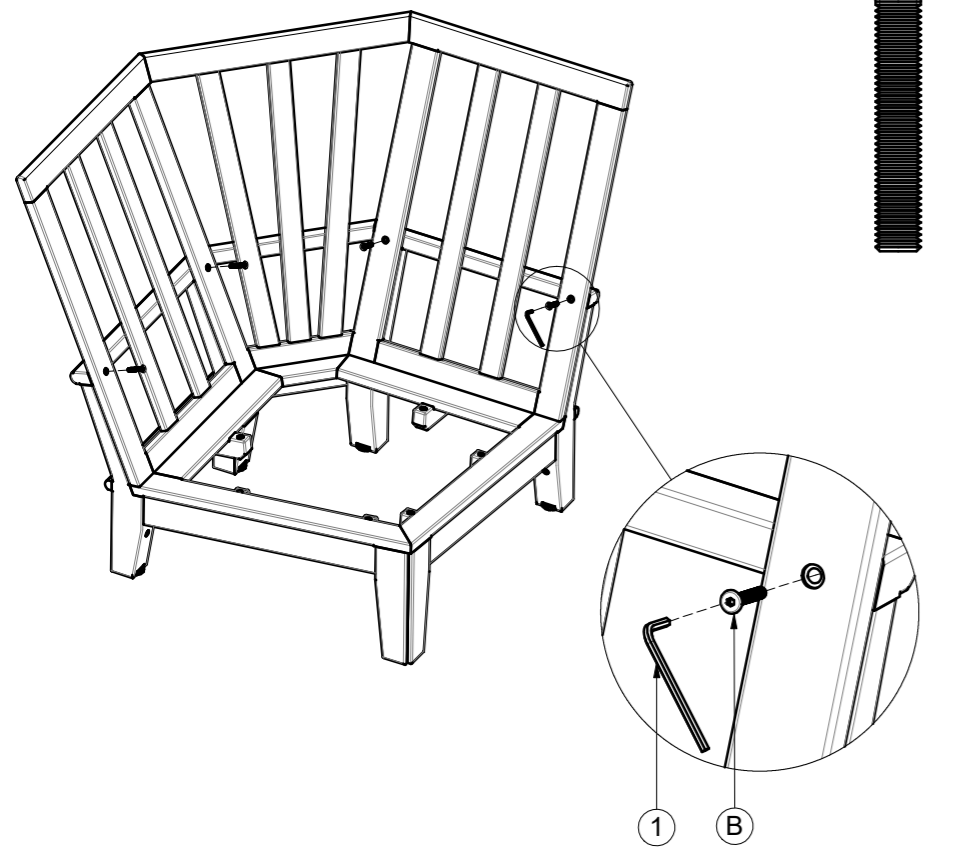


3

B X5

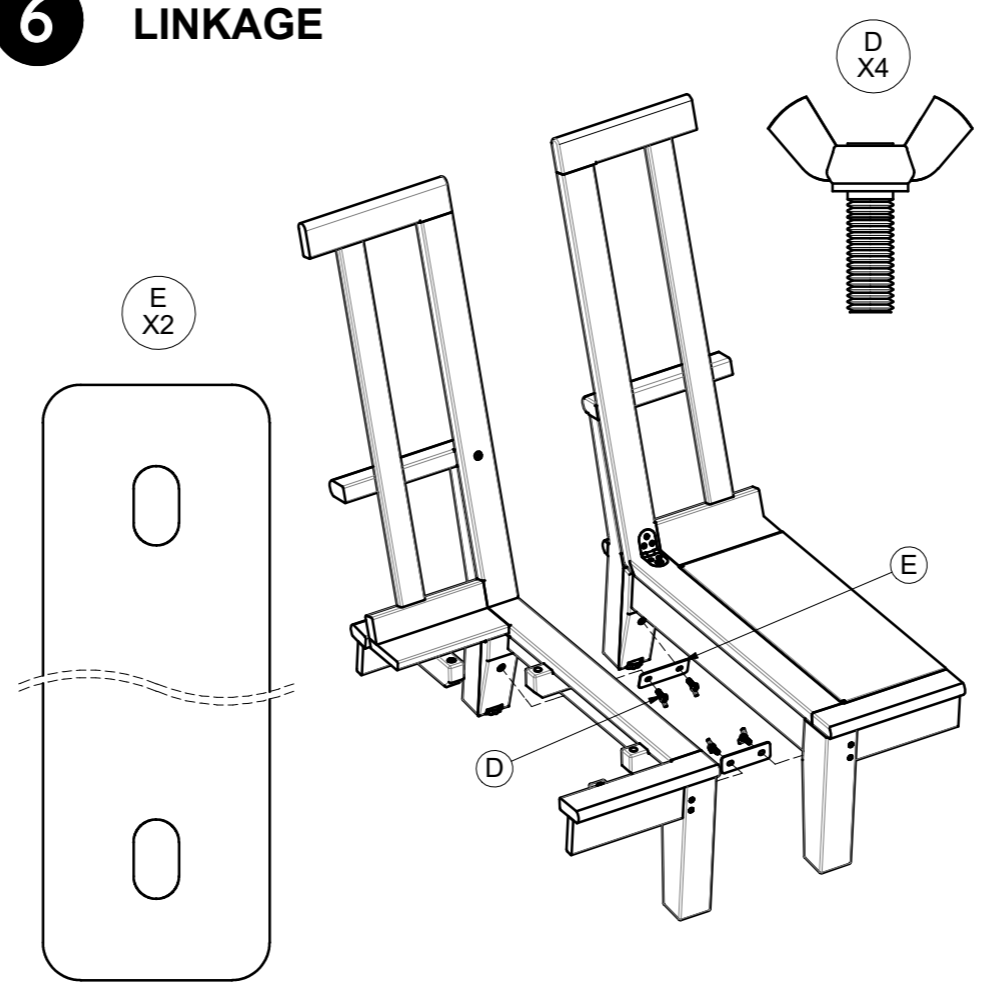


5



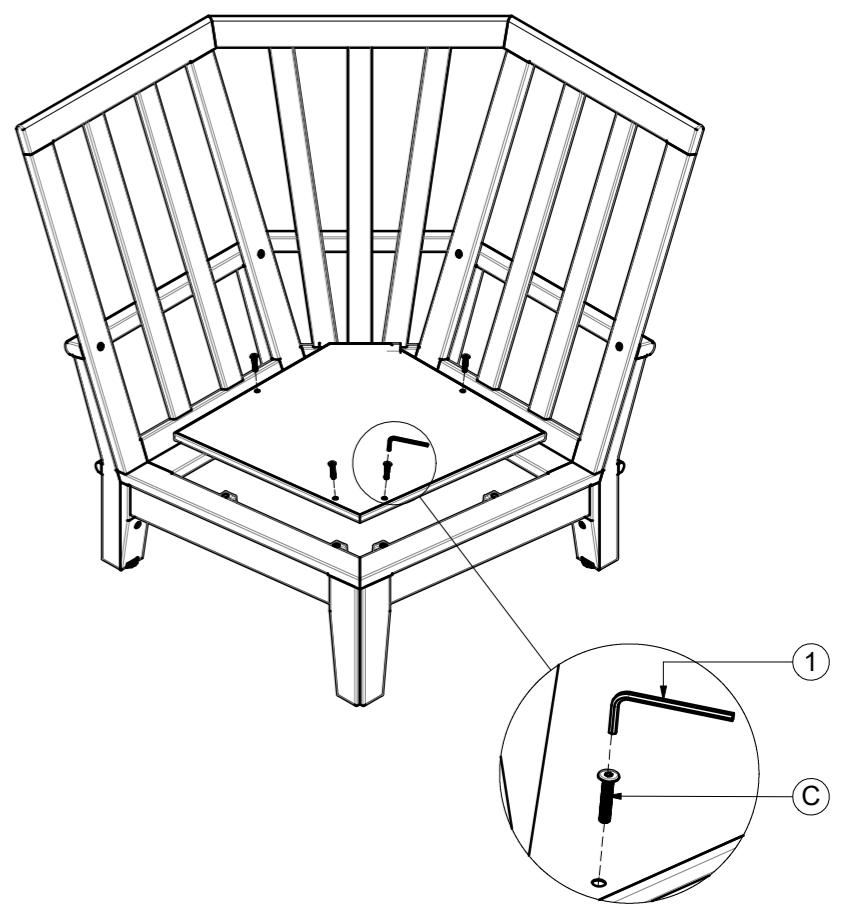
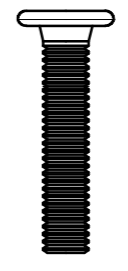
6

LINKAGE



7

C X4



8

LINKAGE

