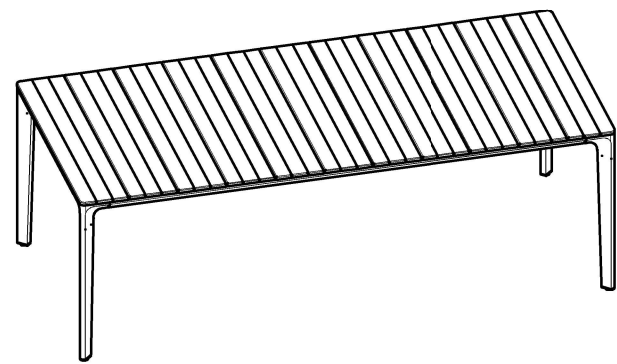
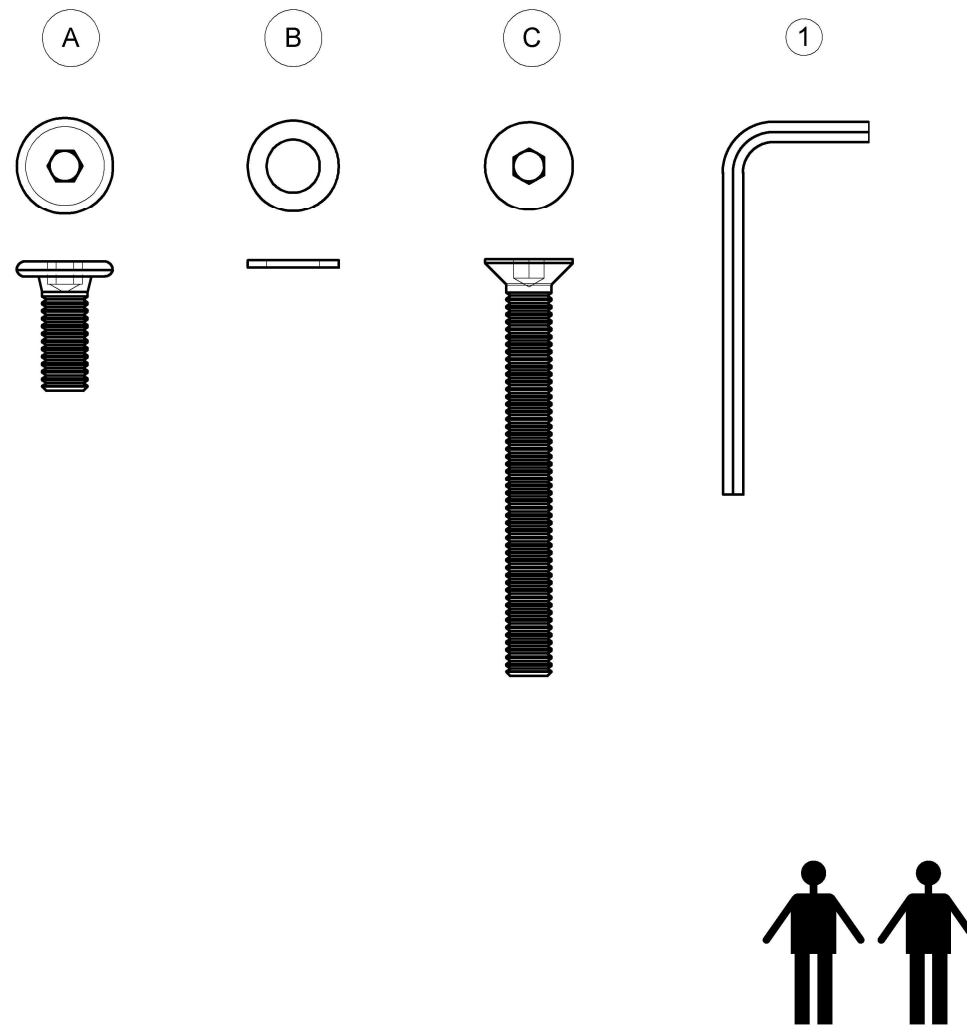


# CARVER DINING TABLE TEAK

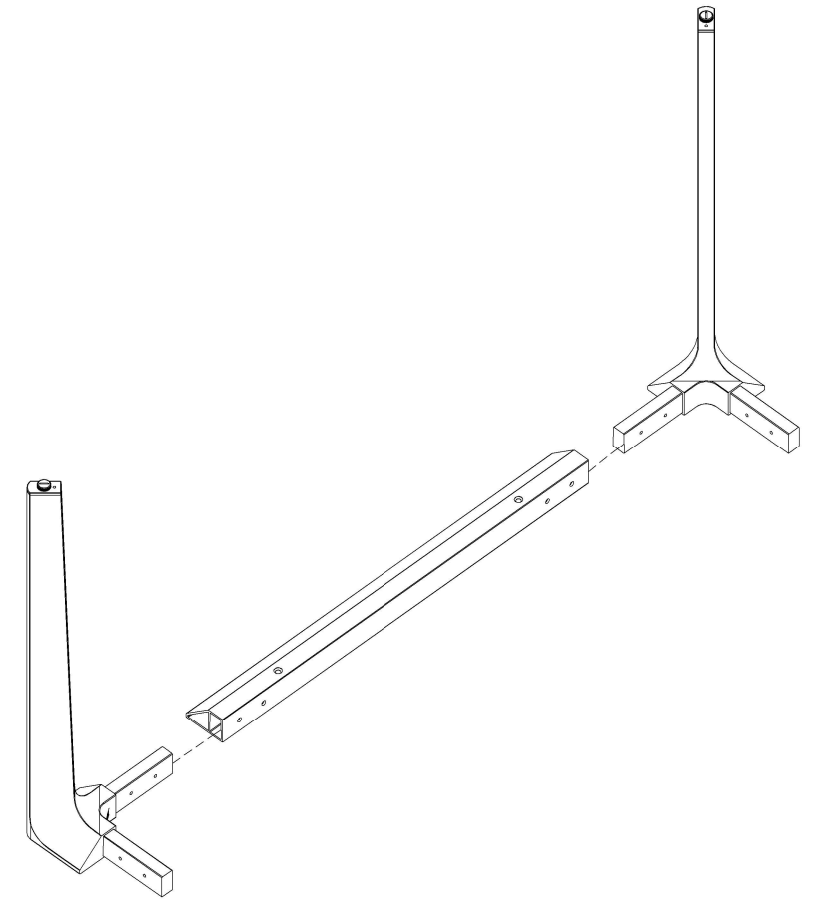
ASSEMBLY GUIDE



 GLOSTER



**1**



## DISTRIBUTED IN THE USA BY:

Gloster Furniture  
1075 Fulp Industrial Road  
PO Box 738  
South Boston  
VA 24592  
USA

## DISTRIBUTED IN EUROPE AND ROW BY:

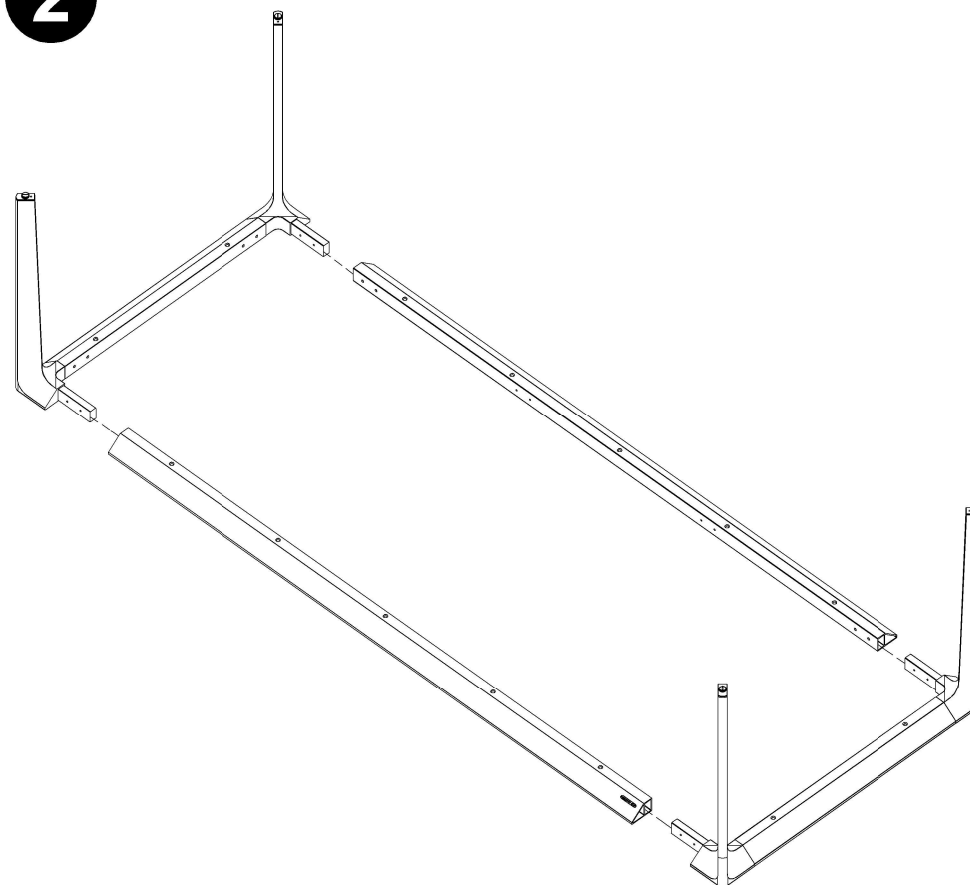
Gloster Furniture GmbH  
Zeppelinstrasse 22  
21337 Lüneburg  
Germany  
Tel. +49 (0)4131 287530

## GENERAL SAFETY GUIDELINES

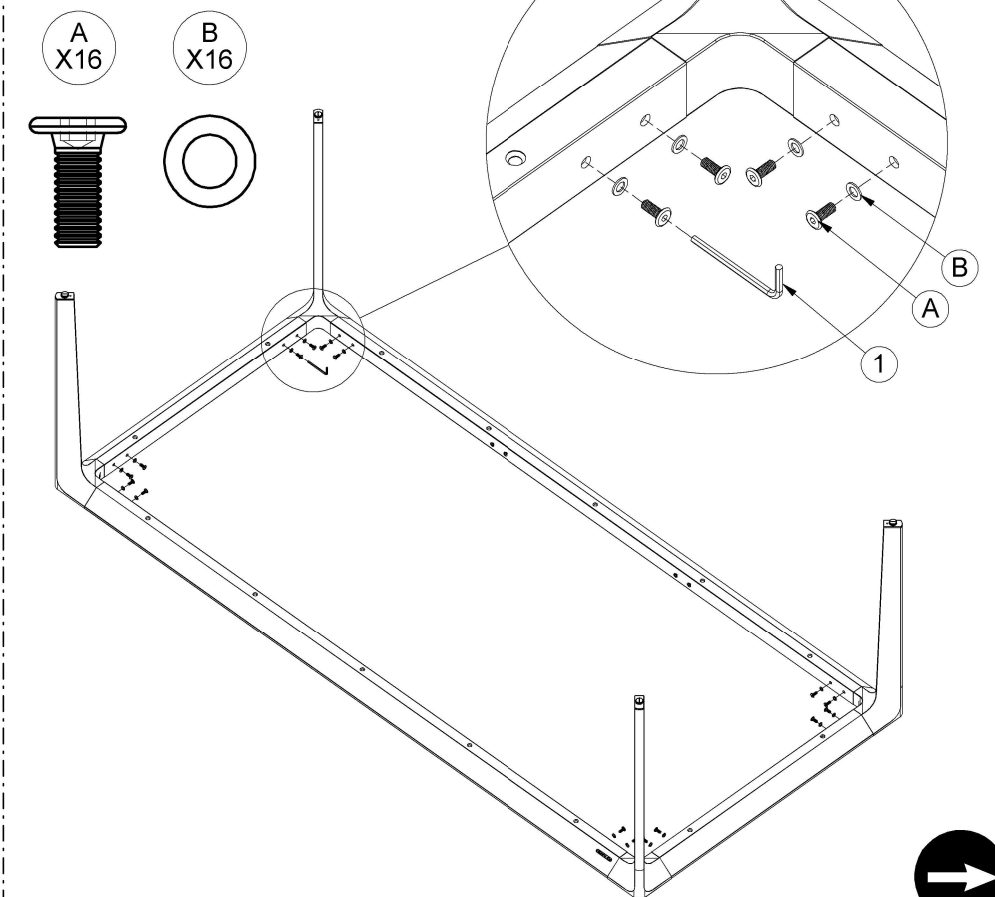
Read this guide carefully before using the product.  
Keep this guide for future reference, do not throw away.  
Only use the product in accordance with these instructions. Failure to follow the instructions contained  
Within the user guide can result in damage to the product, and the warranty will become void.  
Any responsibility is disclaimed due incorrect use of the product.  
This product is suitable for use in both residential and contract environments.

Warranty  
www.gloster.com  
19/08/21 - V2

**2**

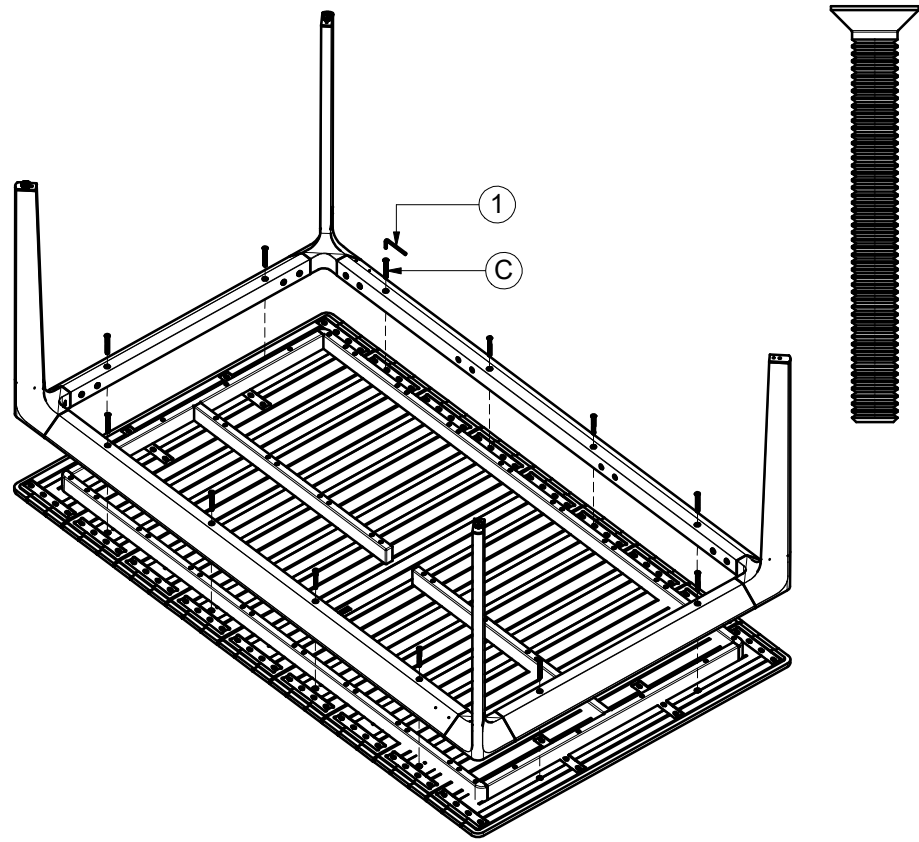


**3**



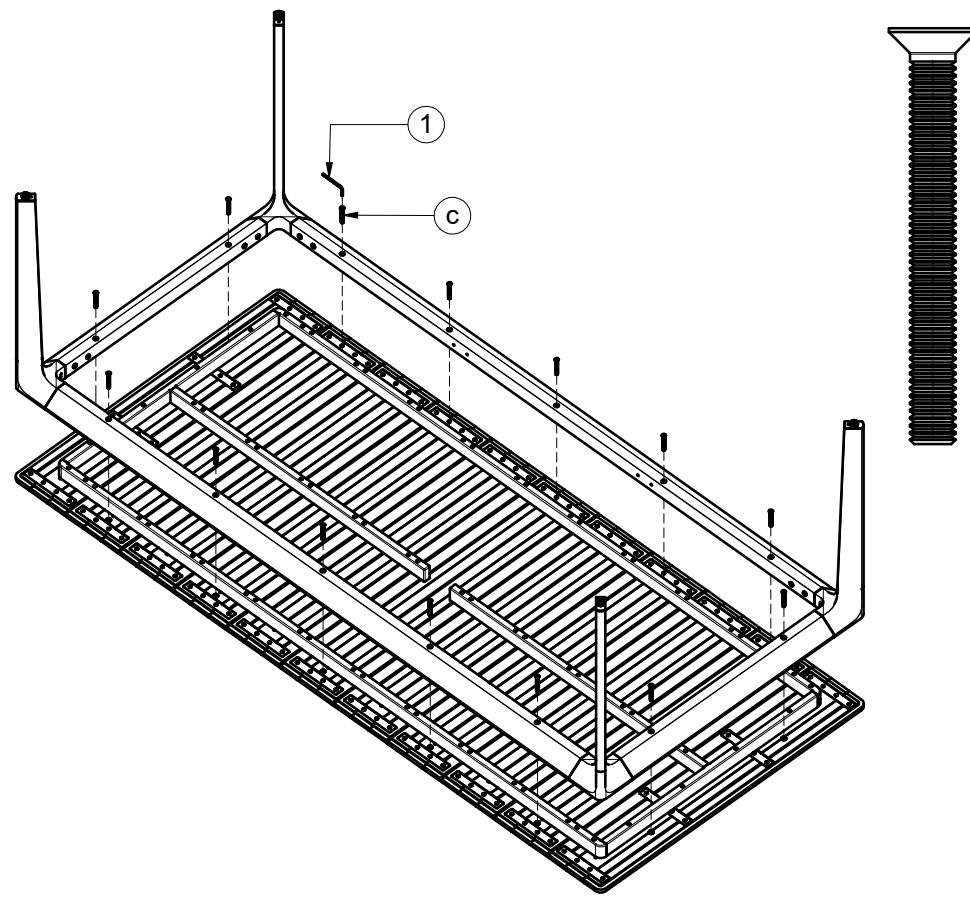
**4** TEAK TOP ( MODEL 106768 )

C  
x12



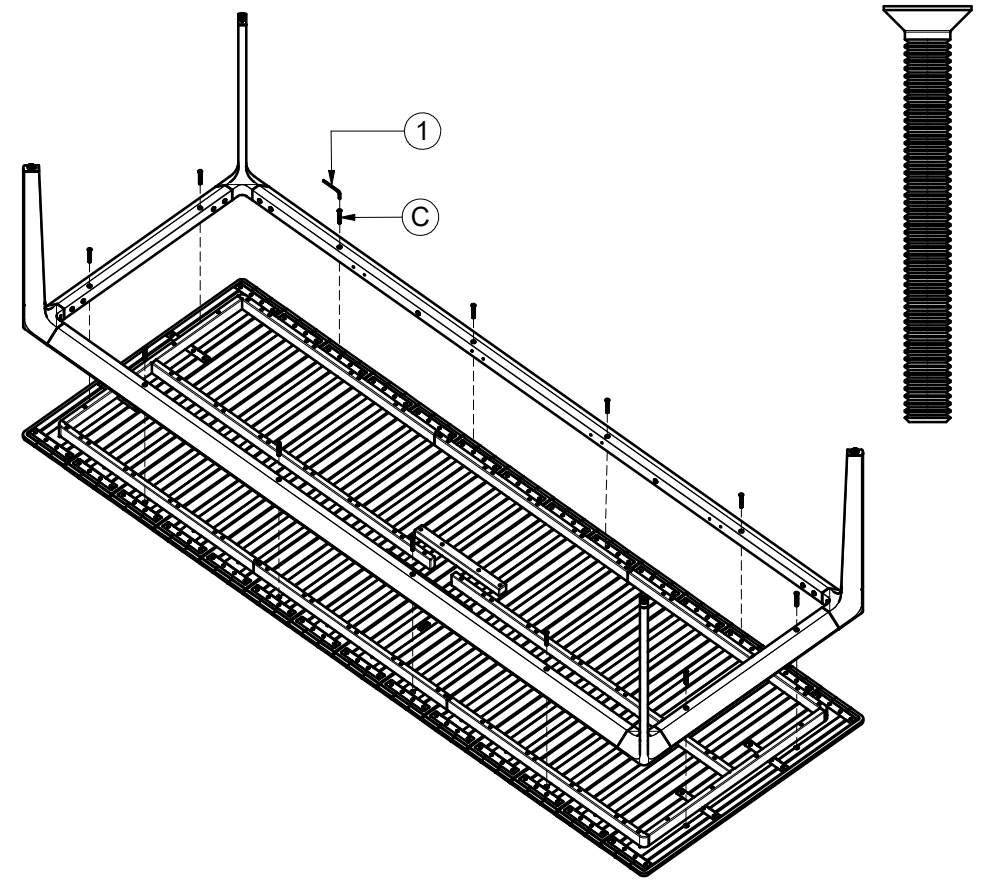
**5** TEAK TOP ( MODEL 106769 )

C  
x14

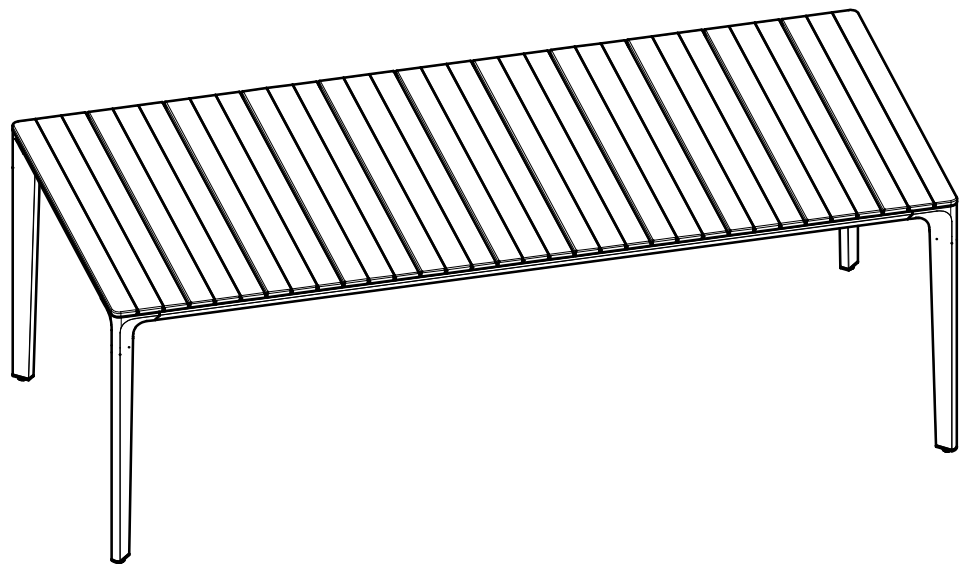


**6** TEAK TOP ( MODEL 106770 )

C  
x12

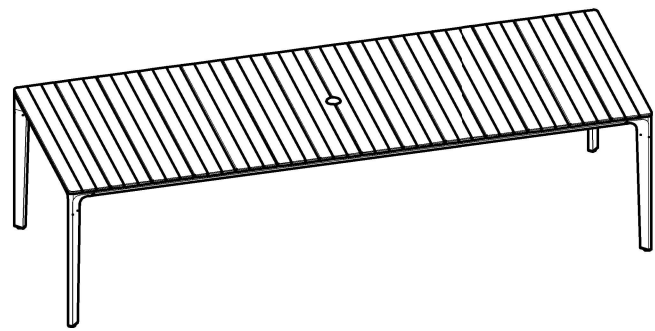


**7**

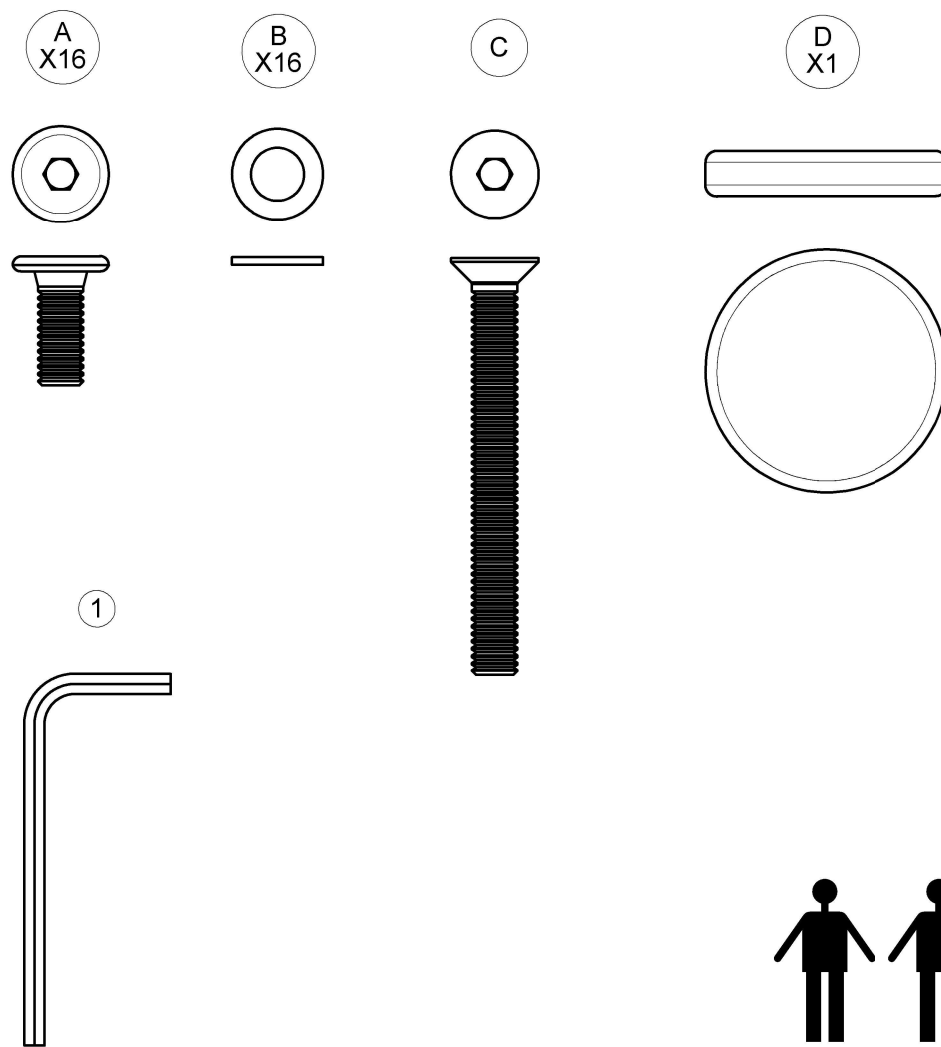


# CARVER DINING TABLE TEAK TOP ( UMBRELLA HOLE )

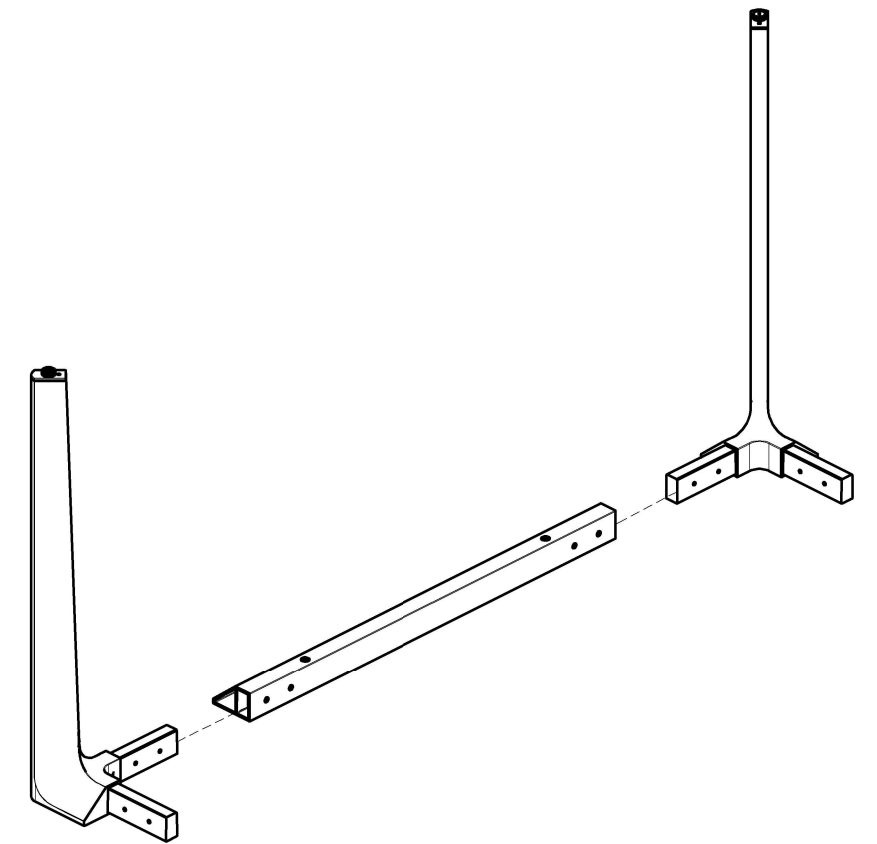
ASSEMBLY GUIDE



 GLOSTER



**1**



DISTRIBUTED IN THE USA BY:

Gloster Furniture  
1075 Fulp Industrial Road  
PO Box 738  
South Boston  
VA 24592  
USA

DISTRIBUTED IN EUROPE AND ROW BY:

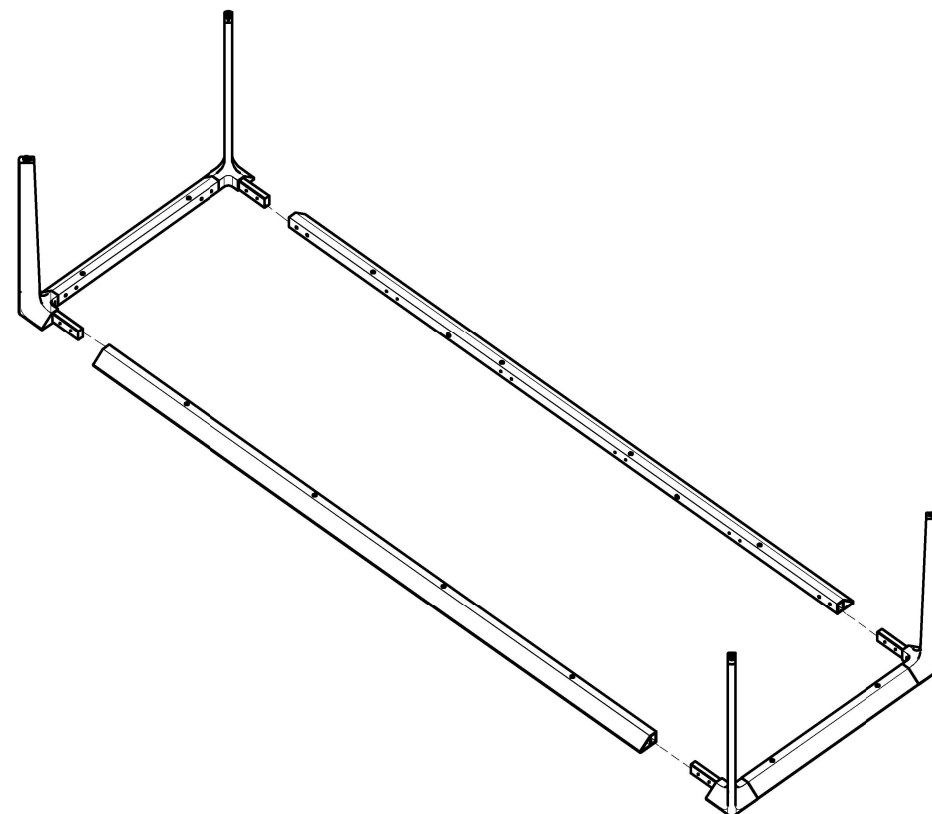
Gloster Furniture GmbH  
Zeppelinstrasse 22  
21337 Luneburg  
Germany  
Tel. +49 (0)4131 287530

## GENERAL SAFETY GUIDELINES

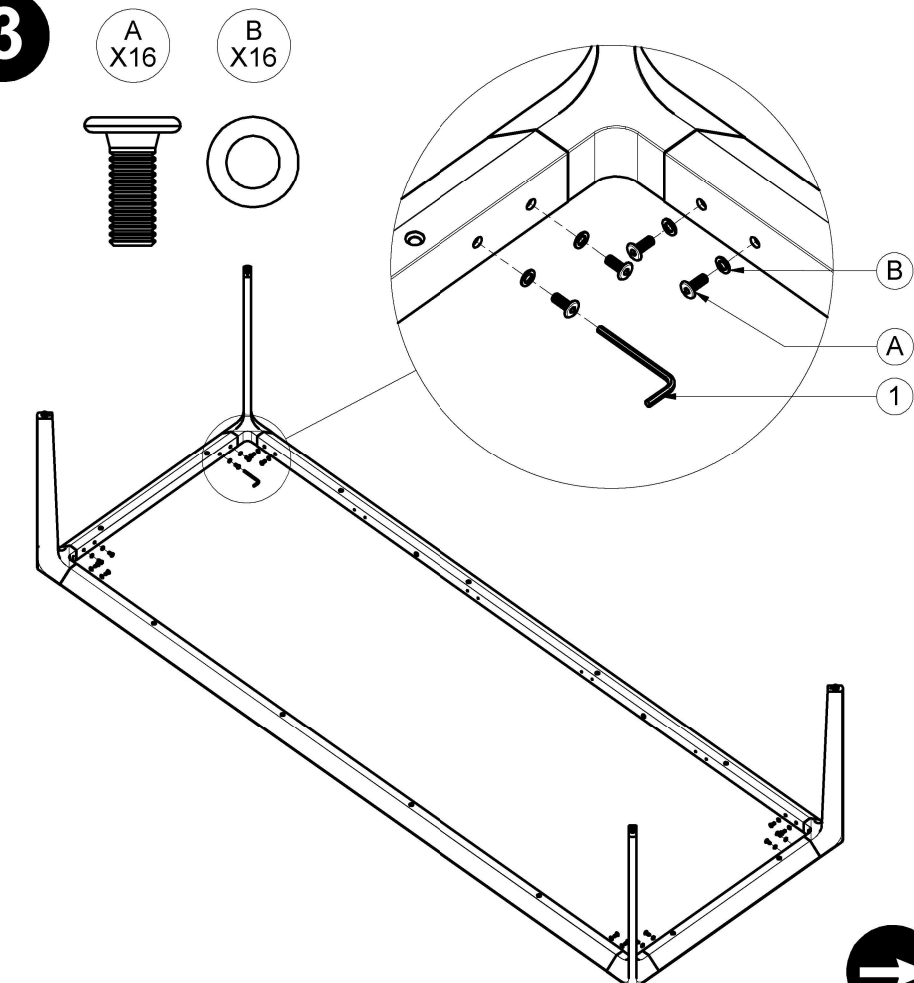
Read this guide carefully before using the product.  
Keep this guide for future reference, do not throw away.  
Only use the product in accordance with these instructions. Failure to follow the instructions contained  
Within the user guide can result in damage to the product, and the warranty will become void.  
Any responsibility is disclaimed due incorrect use of the product.  
This product is suitable for use in both residential and contract environments.

Warranty  
www.gloster.com  
19/08/21 - V2

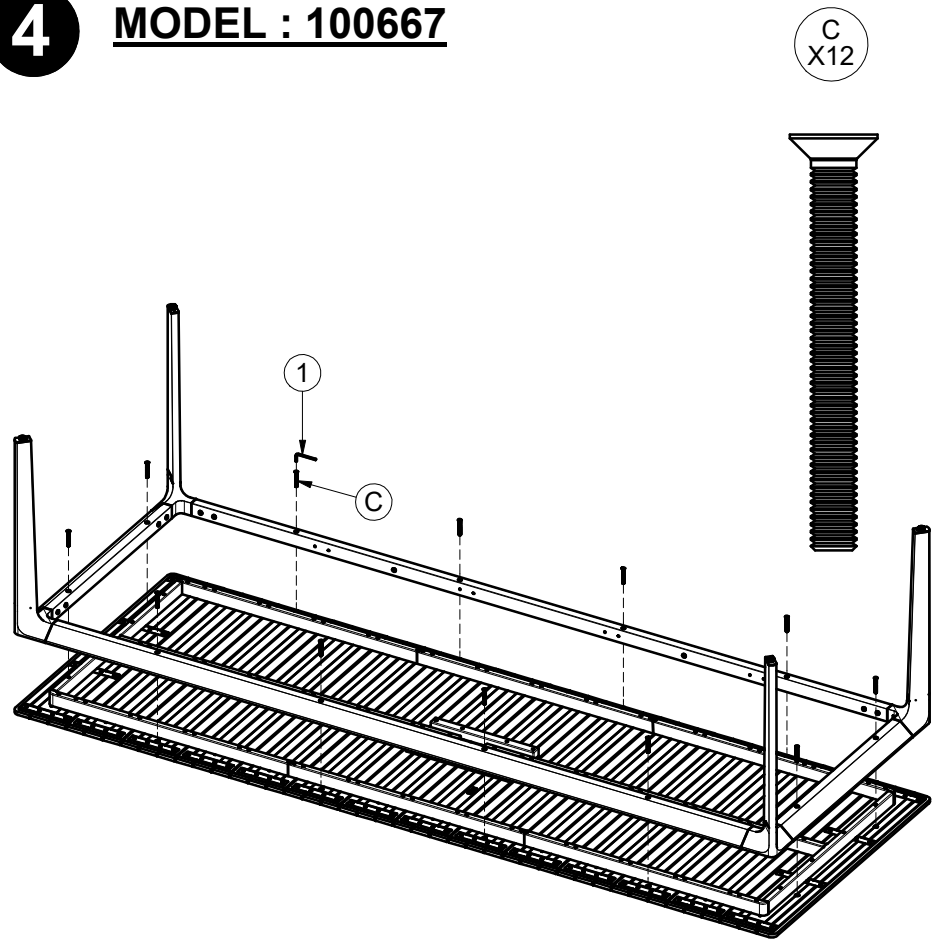
**2**



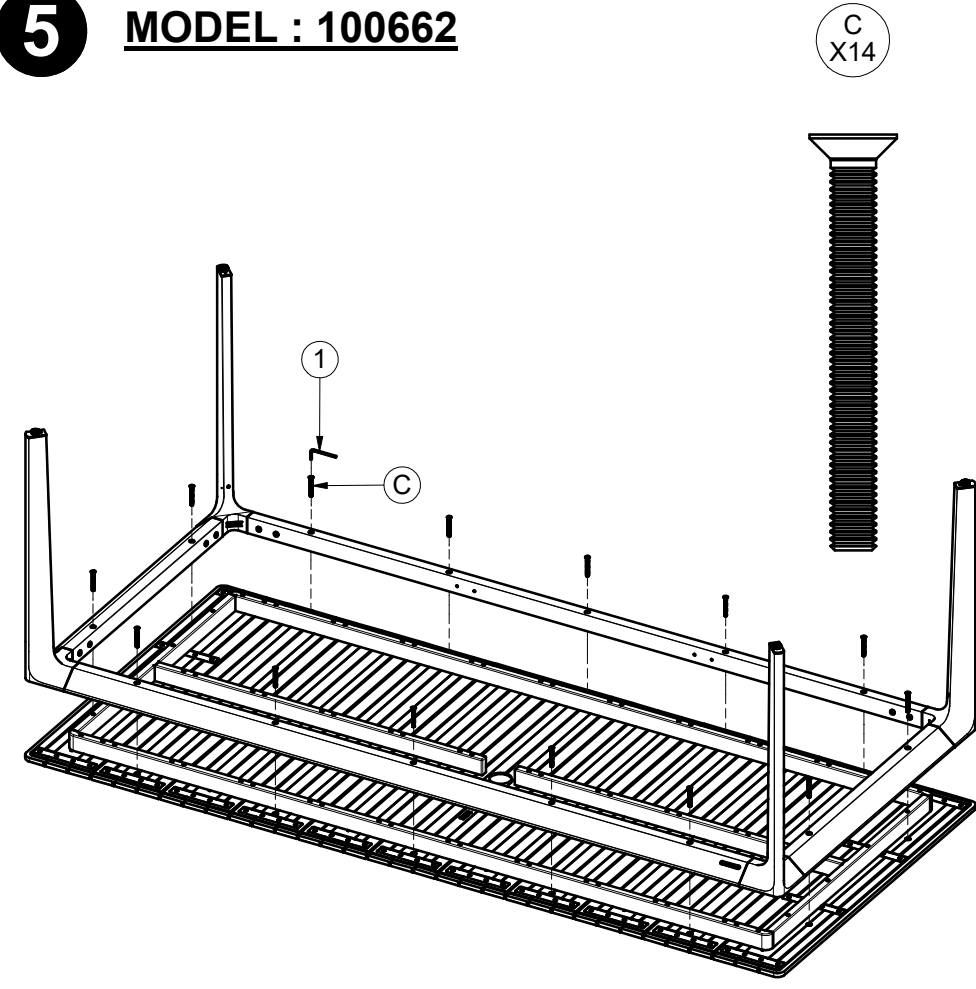
**3**



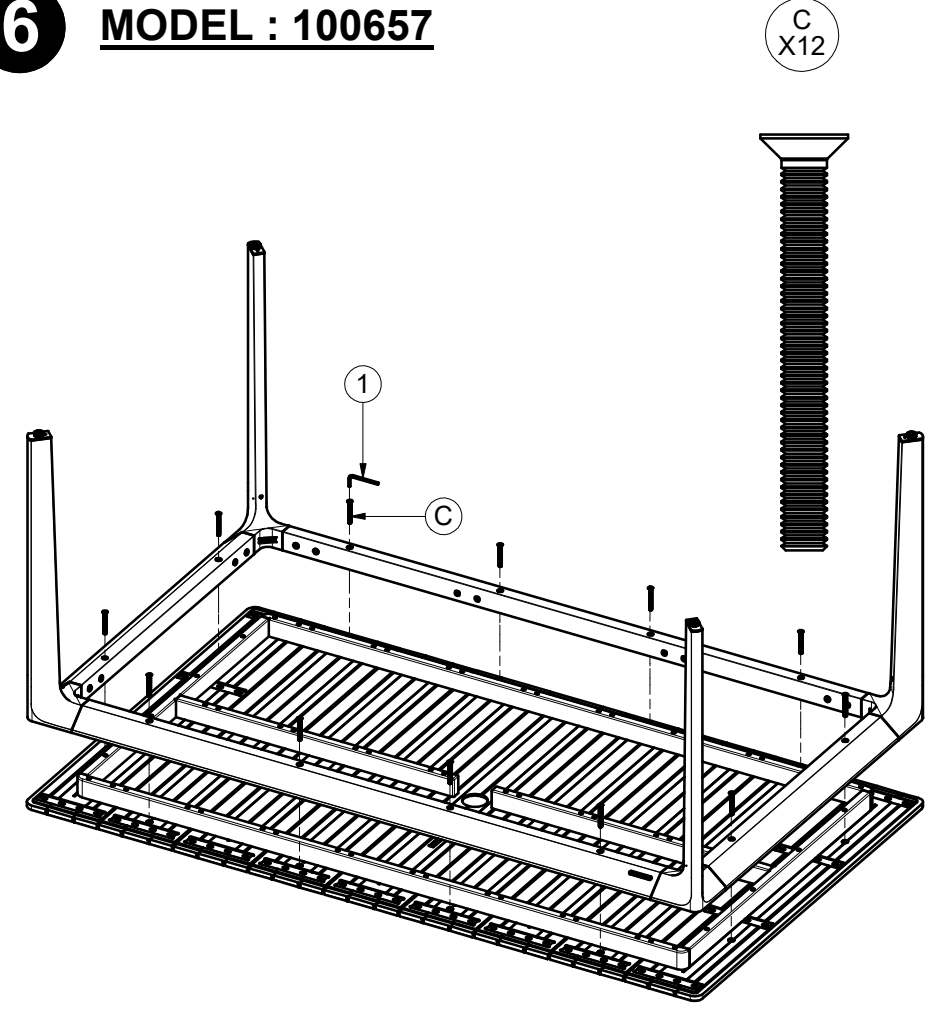
**4** MODEL : 100667



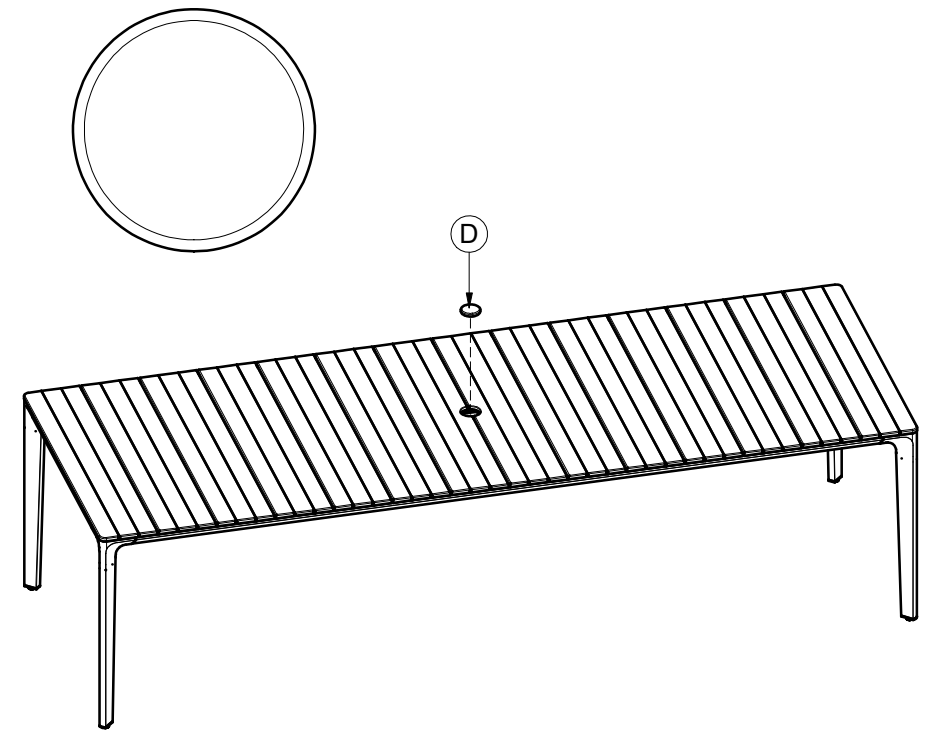
**5** MODEL : 100662



**6** MODEL : 100657



**7** D X1



**8**

