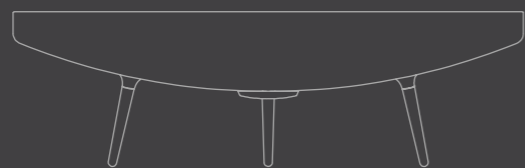


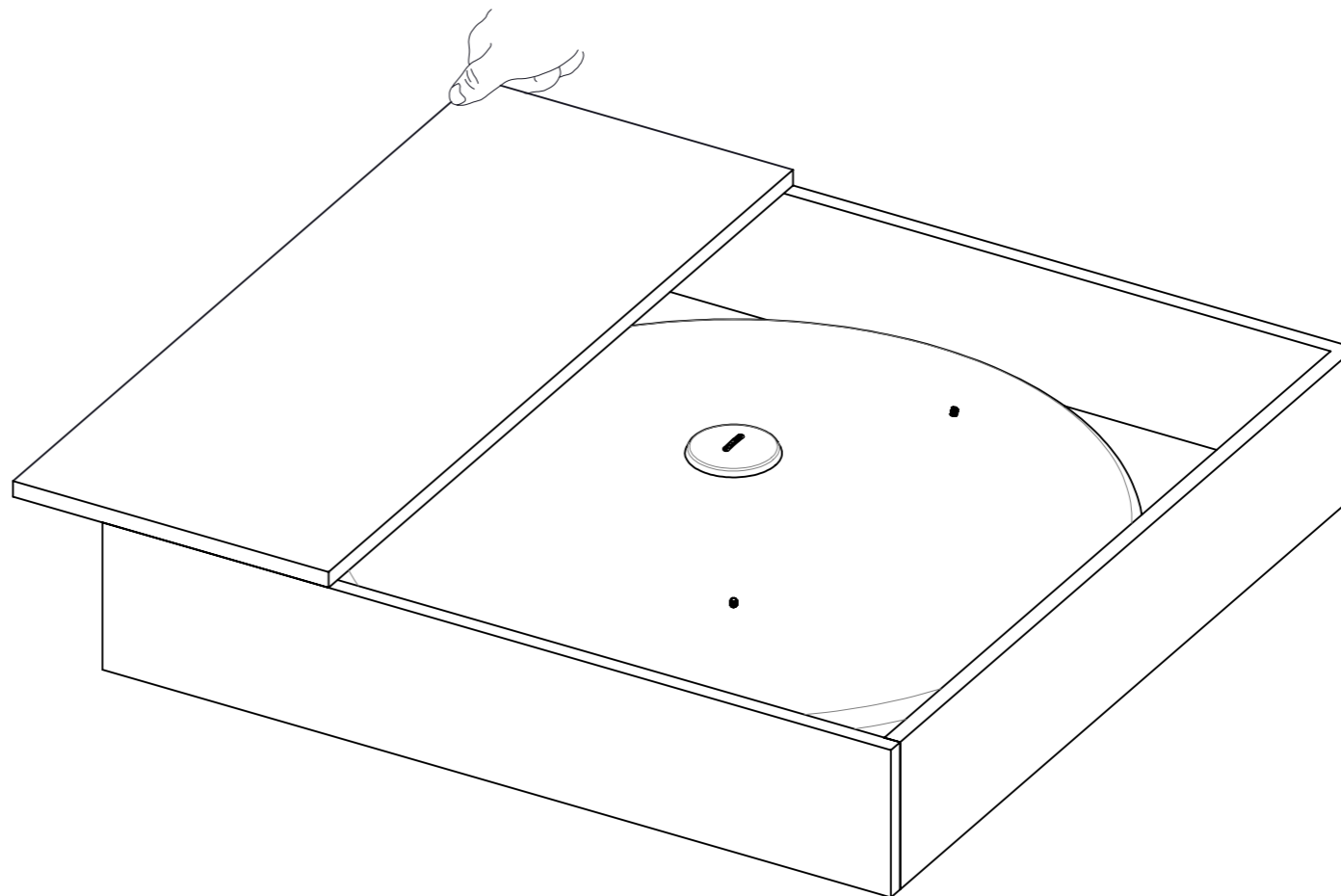
DECO FREESTANDING FIREBOWL

ASSEMBLY GUIDE

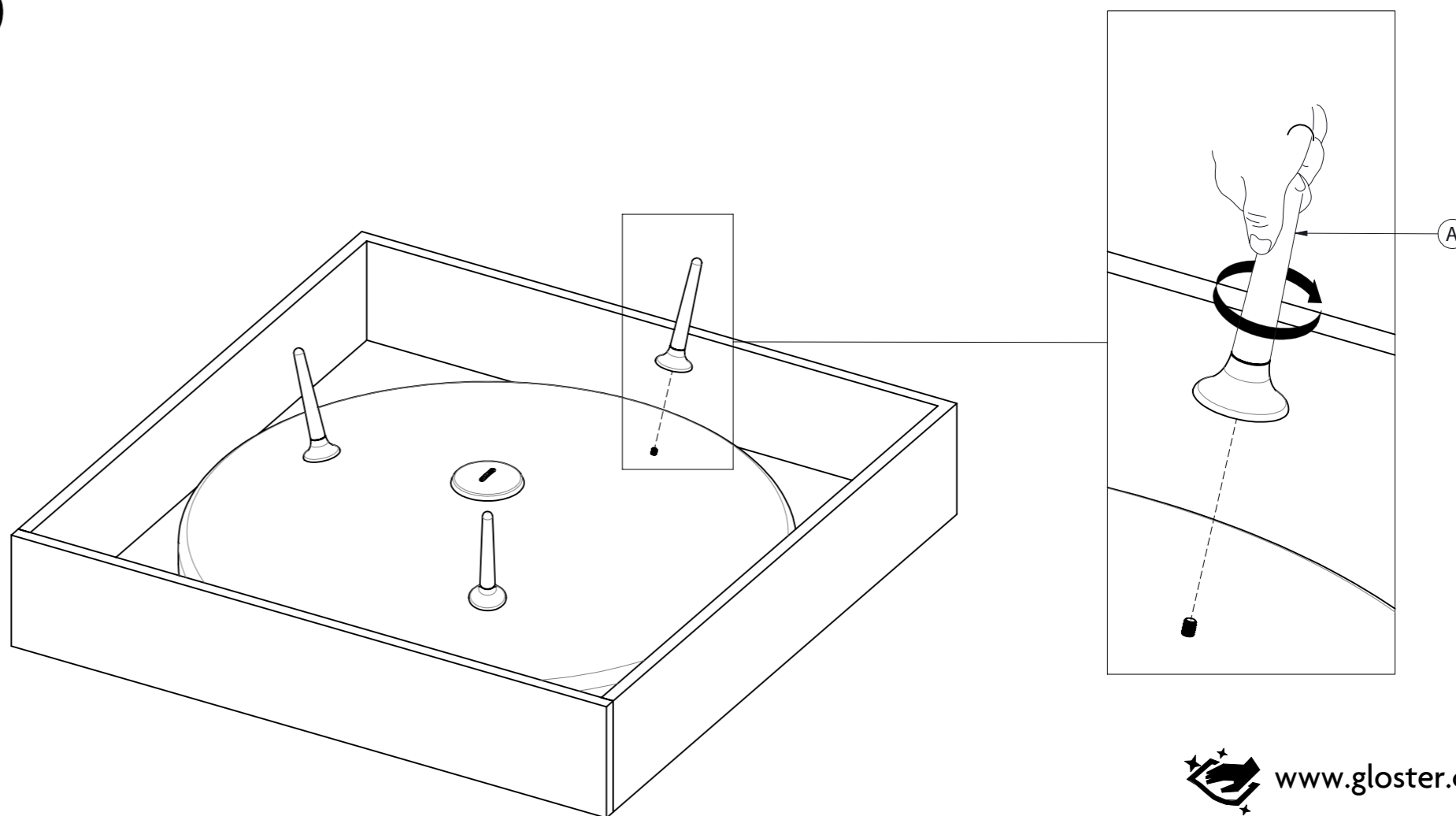


GLOSTER

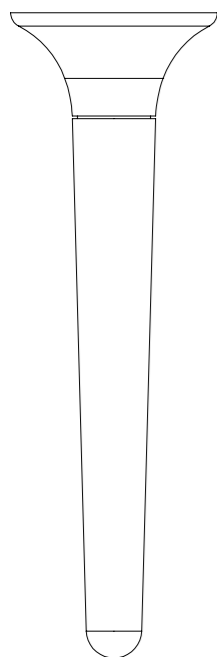
1



2

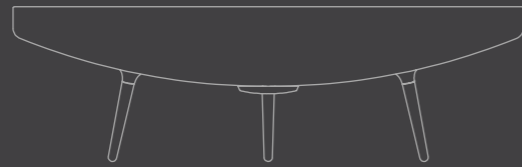


A
x3



DECO FREESTANDING FIREBOWL

USER MANUAL



 GLOSTER

DISTRIBUTED IN THE USA BY :

Gloster Furniture
1075 Fulp Industrial Road
PO Box 738
South Boston
VA 24592
USA

DISTRIBUTED IN EUROPE AND ROW BY :

Gloster Furniture GmbH
Zeppelinstrasse 22
21337 Luneburg
Germany
Tel. +49 (0)4131 287530

GENERAL WARNINGS

- Always check local fire regulations and municipal bylaws to make sure that your firepit meets local standards
- The use of wood burning firepits may be illegal or regulated in certain urban or highrisk environments prone to wildfire
- **THIS FIREPIT IS FOR OUTDOOR USE ONLY**
- **CARBON MONOXIDE HAZARD** - burning wood produces carbon monoxide, which is an odorless, colourless gas
- Using this firepit in an enclosed space without ventilation can kill
- Never use this firepit in an enclosed space such as camper, tent or home
- Combustion byproducts produced when using this product produce carbon monoxide and other chemicals known to cause cancer, birth defects or other reproductive harm
- Avoid breathing the smoke produced by this firepit
- This firepit is not to be used for cooking
- When using this firepit, use the same care as you would with any open fire. Property damage, serious injury, or death could result if instructions and warnings are not allowed
- **DO NOT USE** this firepit in high winds
- **DO NOT USE** on composite or wooden decks, or on asphalt. High temperatures produced by the firepit could seriously damage these surfaces and could set them on fire.
- Never use this firepit under low hanging branches, near fences or trellises, or below overhangs of any kind including verandahs and covered porches.
- **DO NOT USE** this firepit on the balcony of a building, shared building, apartment or any other such building where regulations may forbid the lighting of fires
- Keep the firepit a minimum of 25ft/8m away from any building, structure, garage, vehicles and flammable items of any kind
- **DO NOT USE** this firepit with solid fuel, such as charcoal briquettes, lump charcoal, manufactured logs, driftwood, trash, leaves, paper, cardboard, plywood, or painted, stained or treated wood. When using softwoods such as pine or cedar, be aware of sparks
- Do not overload the firepit.
- Never use gasoline, alcohol, spirits or other kind of volatile fluids or materials to start or restart the fire
- Only use this firepit on level, stable, hard ground
- Never use the firepit while under the influence of alcohol or drugs
- This firepit should only be used by people over the age of 18 years
- Keep children and pets/animals away from the vicinity of the firepit
- **DO NOT ALLOW CHILDREN TO PLAY IN THE VICINITY OF THE FIREPIT**

- **CHILDREN MUST BE SUPERVISED AT ALL TIMES WHEN IN THE VICINITY OF THE FIREPIT**
- All parts of the firepit will be very hot during **AND AFTER** burning, including any ancillary products such as tools or screens
- **DO NOT TOUCH** any parts of the hot firepit. Allow the firepit to completely cool before touching
- **DO NOT TOUCH** the vent/drain cover underneath the firepit until it is completely cool
- Never leave a burning firepit unattended.
- Always extinguish the fire completely before leaving the unit unattended
- It is recommended to place the firepit onto a solid concrete, stone or brick base. The base may be covered with loose stone material that can be removed/replaced periodically
- **BE PREPARED** - Make sure that you have a bucket of sand, a fire extinguisher or garden hose nearby when using the firepit

INSTRUCTIONS FOR USE

- Close the vent/drain cover under the firepit before use, to prevent embers from falling through the holes and damaging the surface underneath. Make sure that the firepit is completely cool before adjusting the vent / drain cover.
- We recommend using only seasoned firewood and burning it in a way that promotes complete combustion-small, hot fires are better than large smoldering ones-to minimize the amount of smoke
- Some ash and small embers may escape from the vent/drain cover during burning - **DO NOT ATTEMPT TO REACH UNDER THE FIREPIT TO REMOVE THEM**
- After use, when the firepit is completely cool, clean out any ash and residue from burning.
- To prevent the firepit from filling with water during wet weather, open the vent/drain cover under the firepit. Make sure that the firepit is completely cool before adjusting the vent/drain cover.
- Due to the material used for the firepit (carbon steel) rust is likely to occur. This may cause discoloration of the surface below the firepit.
- Before each use, inspect the firepit for signs of wear / damage. **DO NOT USE** the firepit if any parts are worn or damaged
- If any worn or damaged parts are found Please contact your retailer.