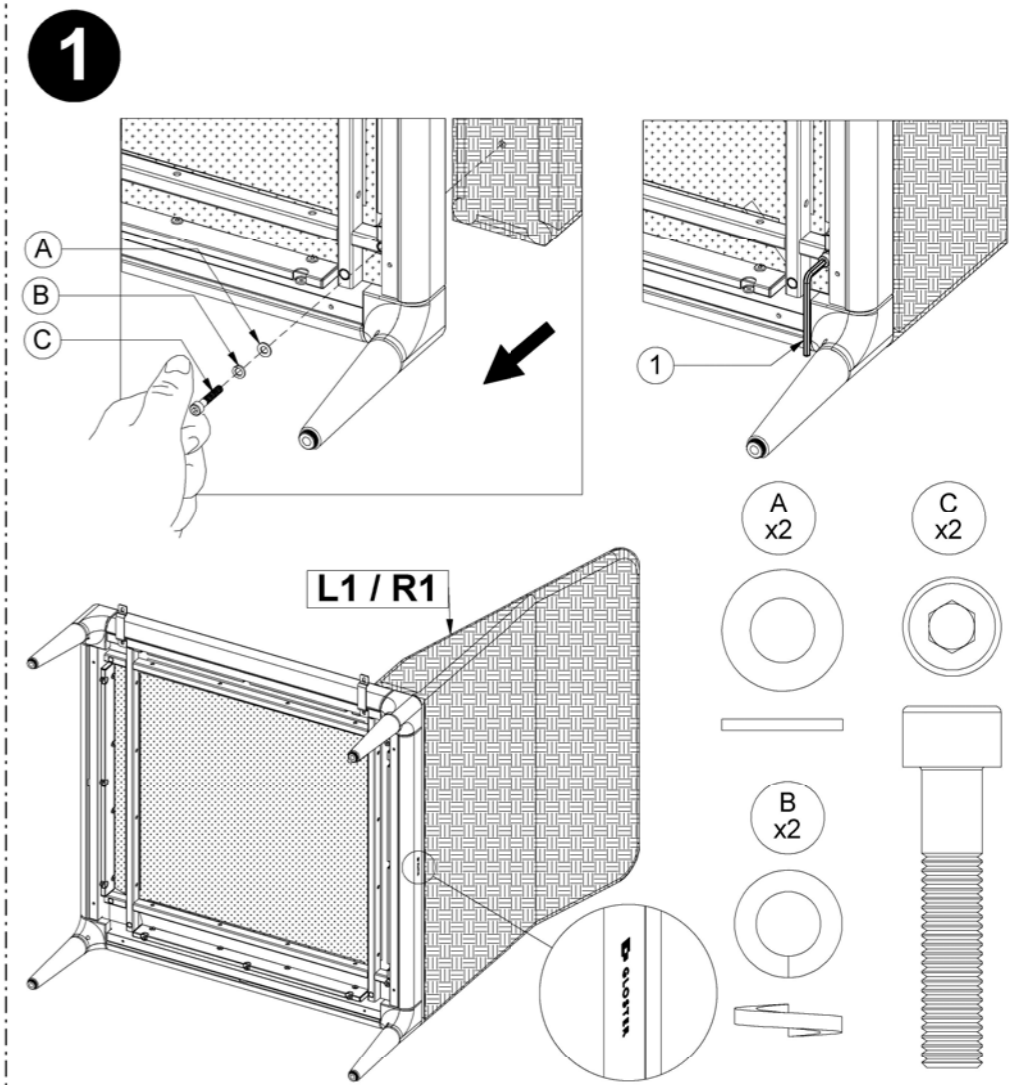
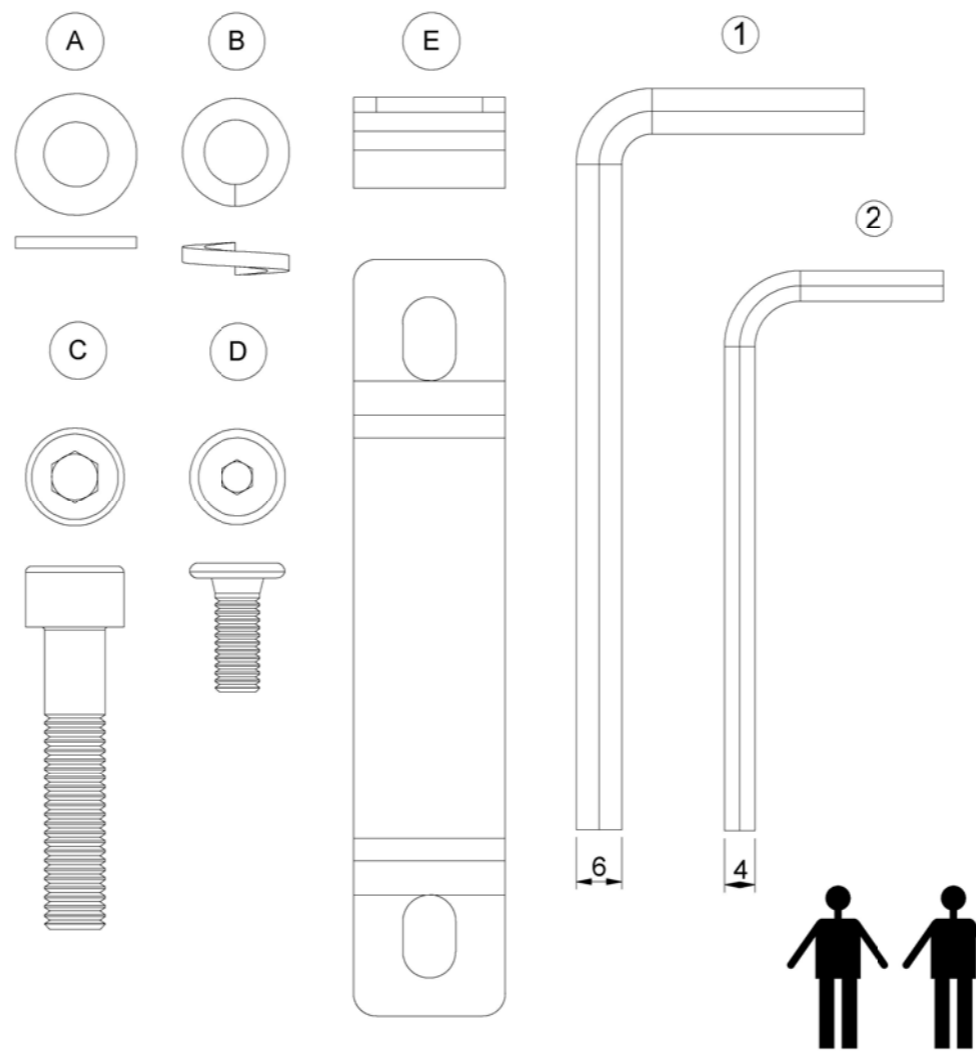


LIMA COLLECTION

ASSEMBLY GUIDE



DISTRIBUTED IN THE USA BY:

Gloster Furniture
1075 Fulp Industrial Road
PO Box 738
South Boston
VA 24592
USA

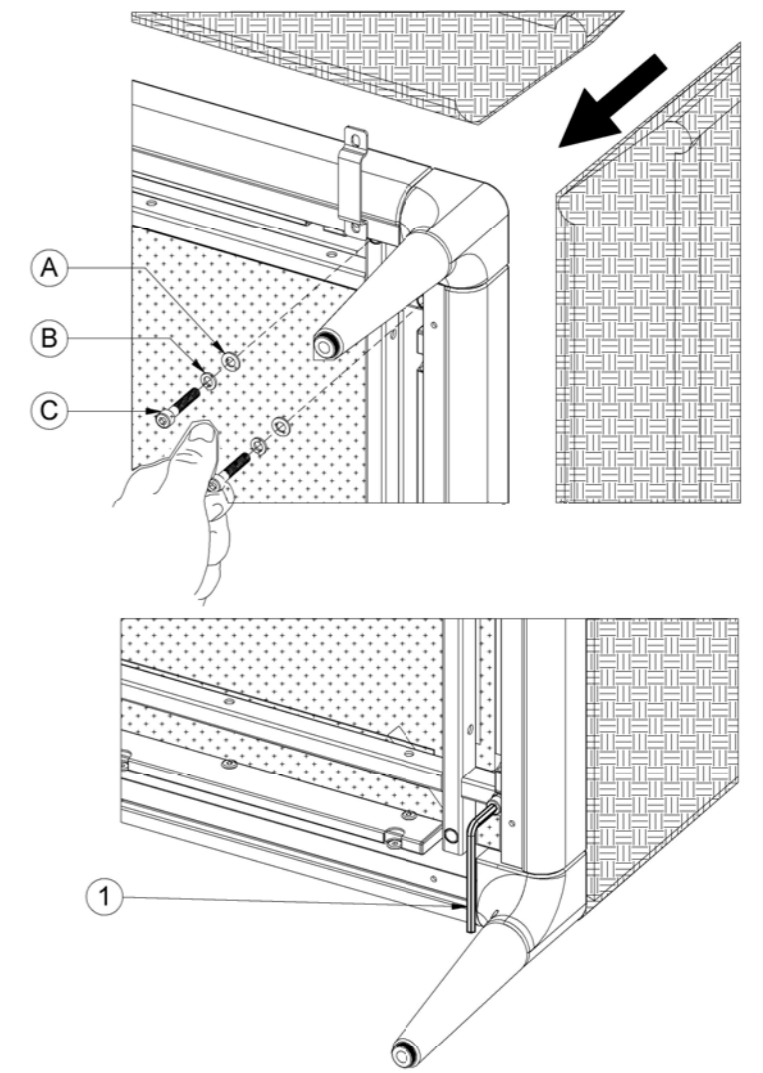
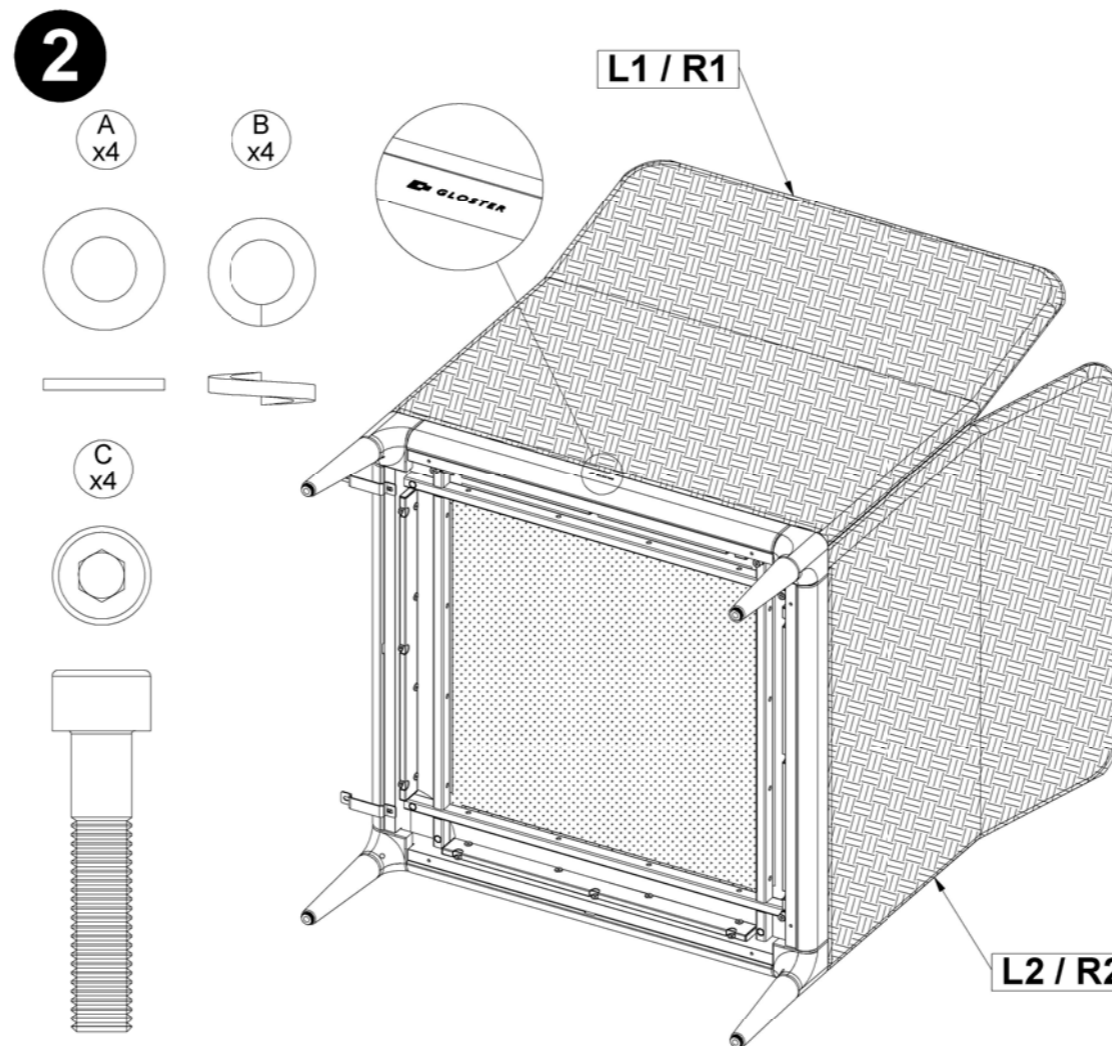
DISTRIBUTED IN EUROPE AND ROW BY:

Gloster Furniture GmbH
Zeppelinsrasse 22
21337 Lüneburg
Germany
Tel. +49 (0)4131 287530

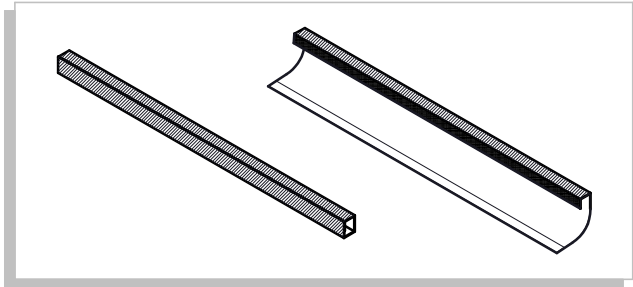
GENERAL SAFETY GUIDELINES

Read this guide carefully before using the product.
Keep this guide for future reference, do not throw away.
Only use the product in accordance with these instructions. Failure to follow the instructions contained within the user guide can result in damage to the product, and the warranty will become void.
Any responsibility is disclaimed due incorrect use of the product.

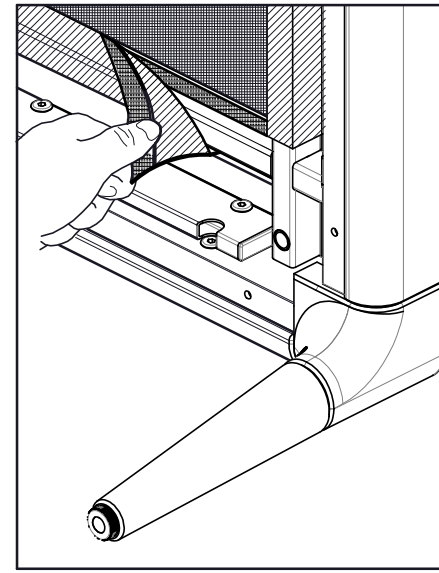
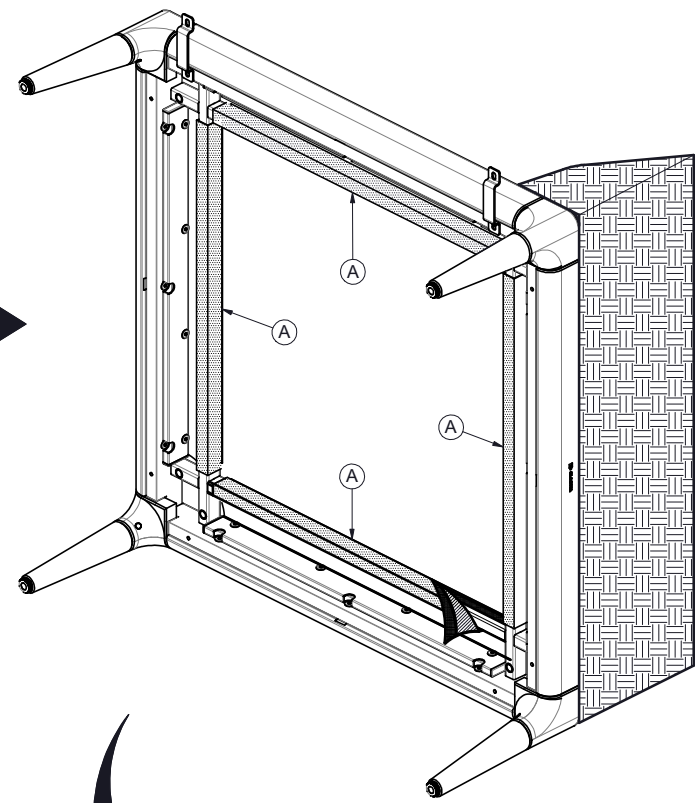
Warranty
www.gloster.com



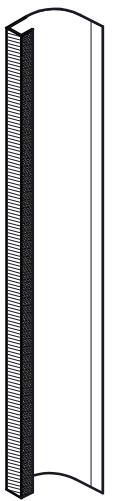
1



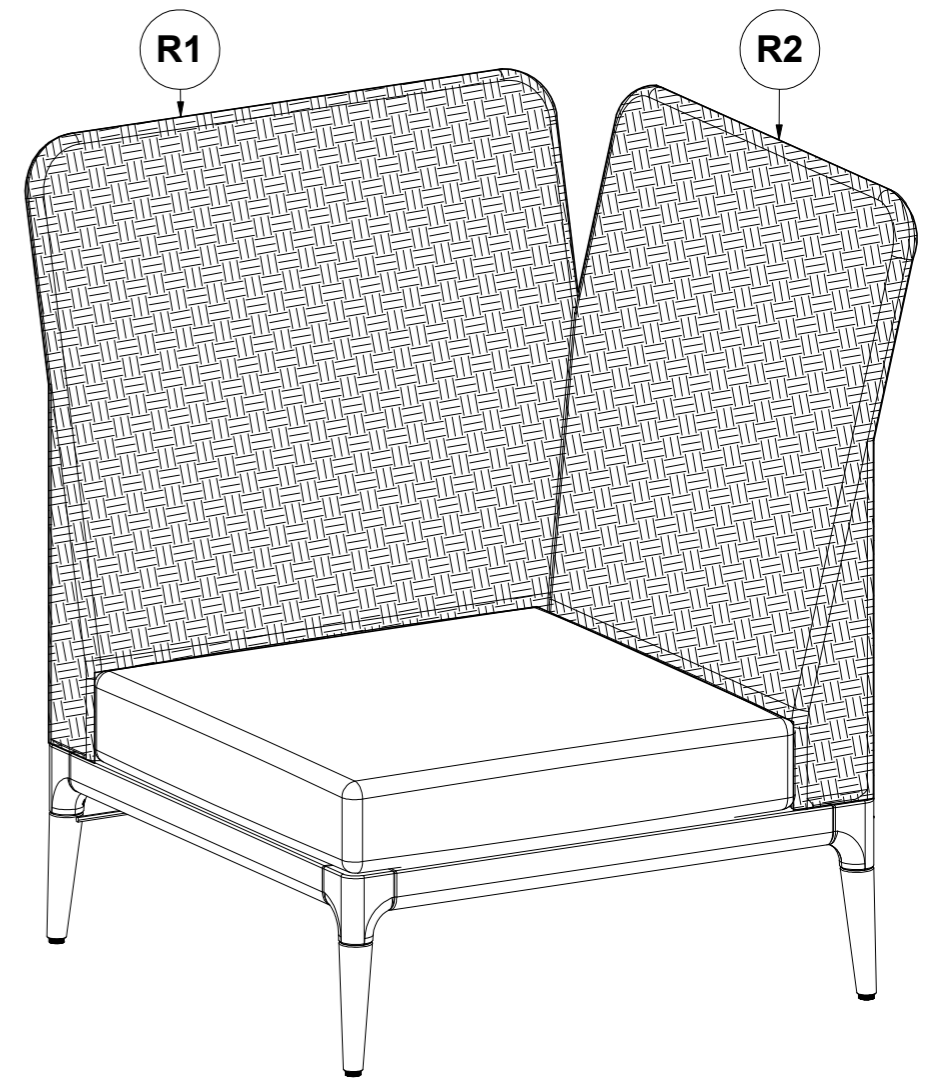
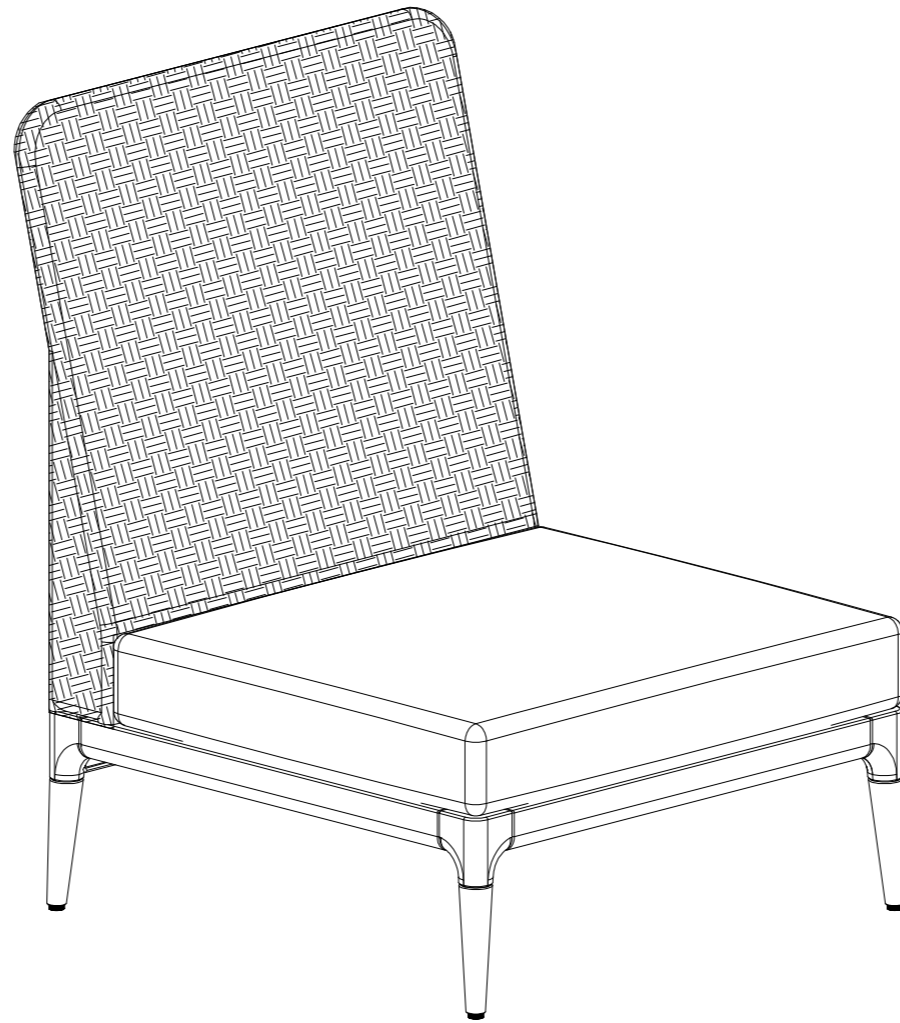
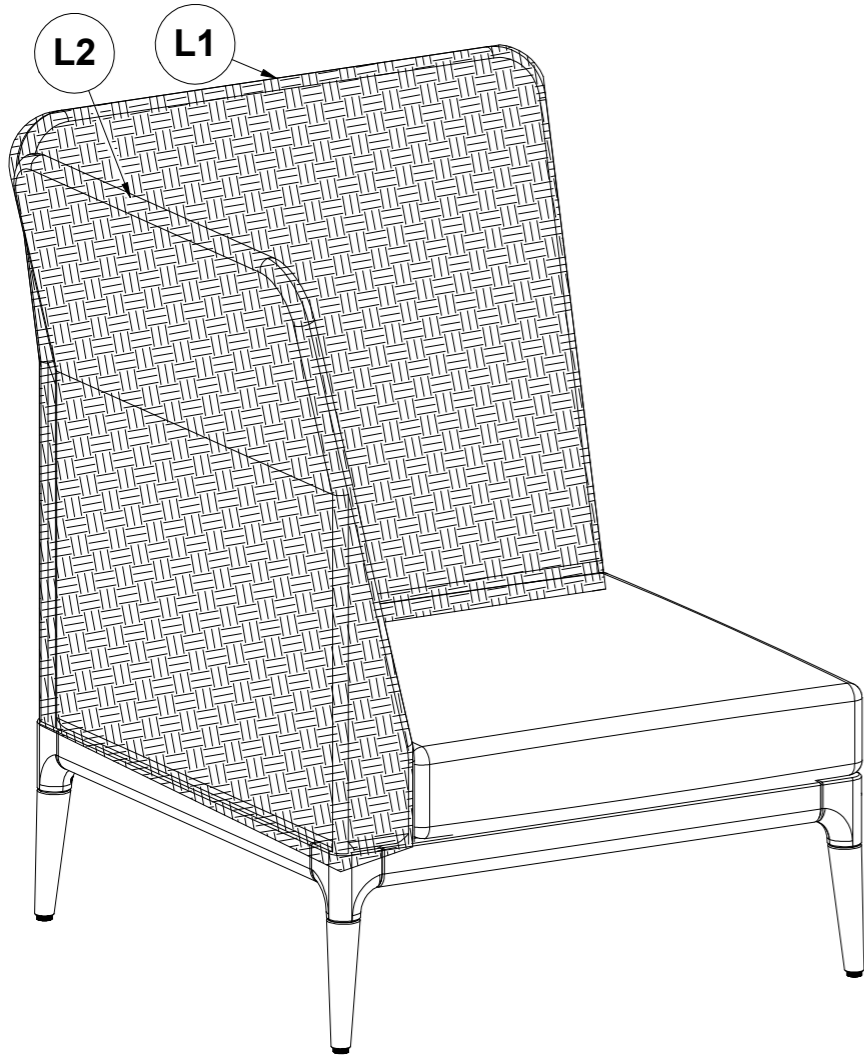
Lima Teak Base
Seat Cover Assembly



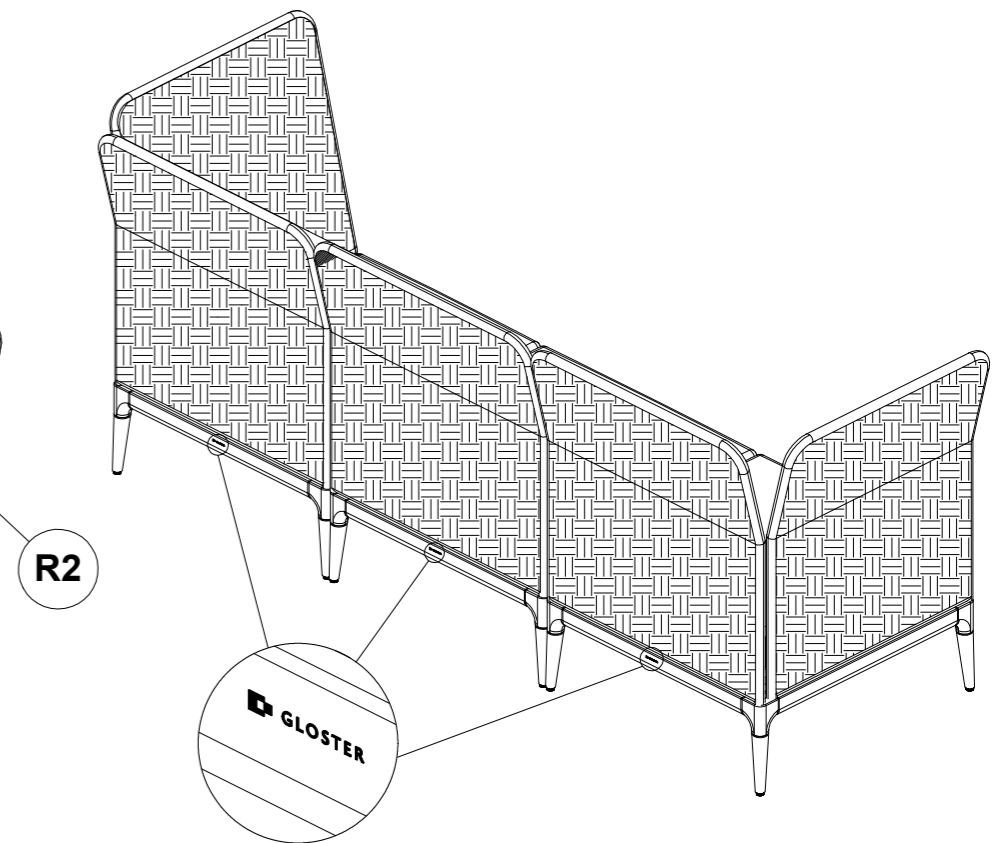
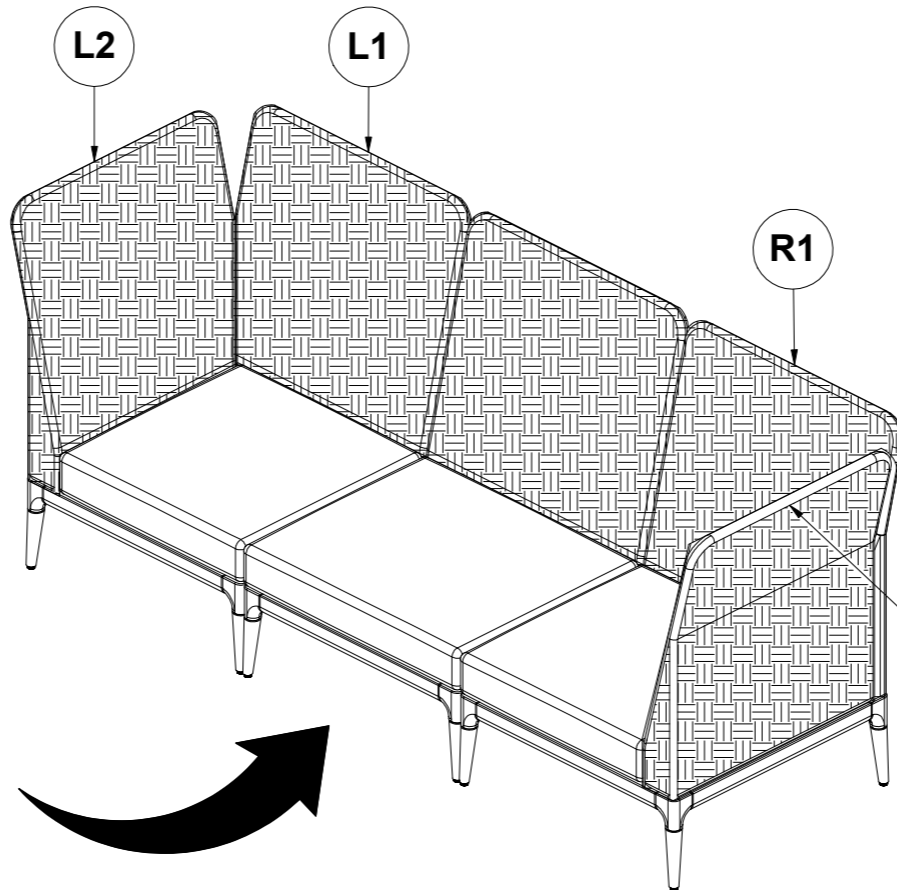
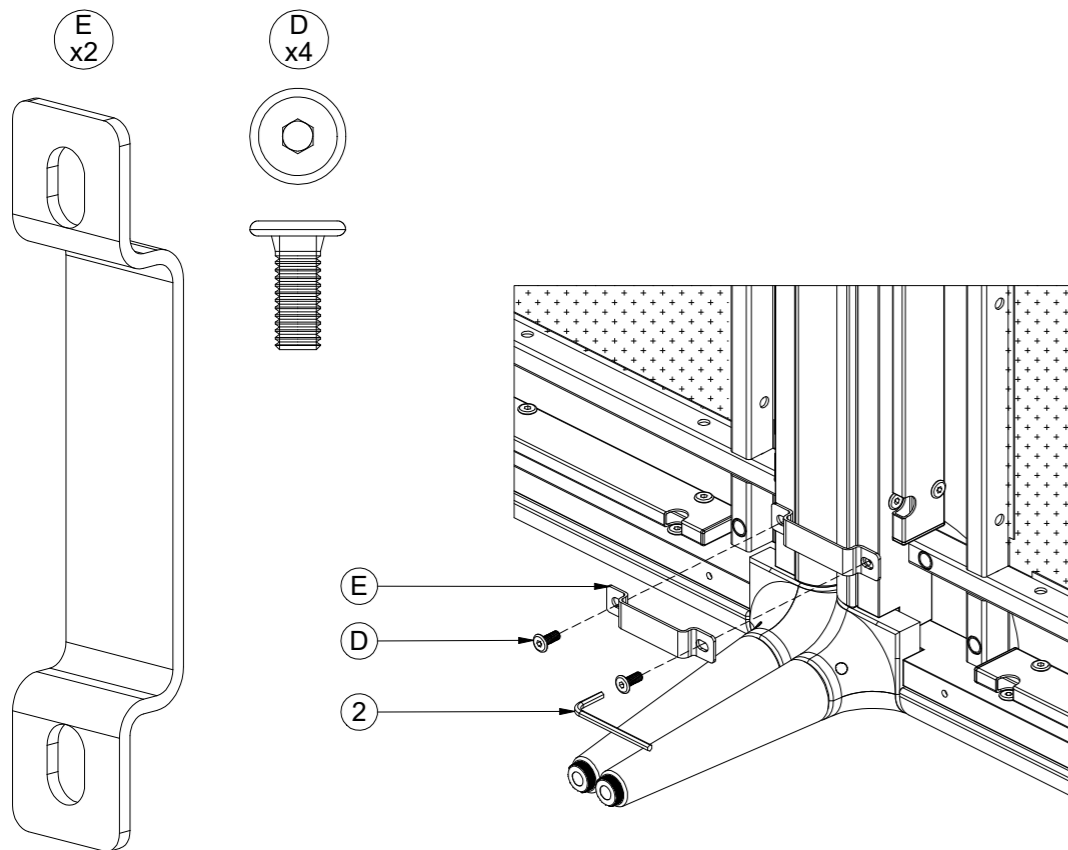
A
x4



3



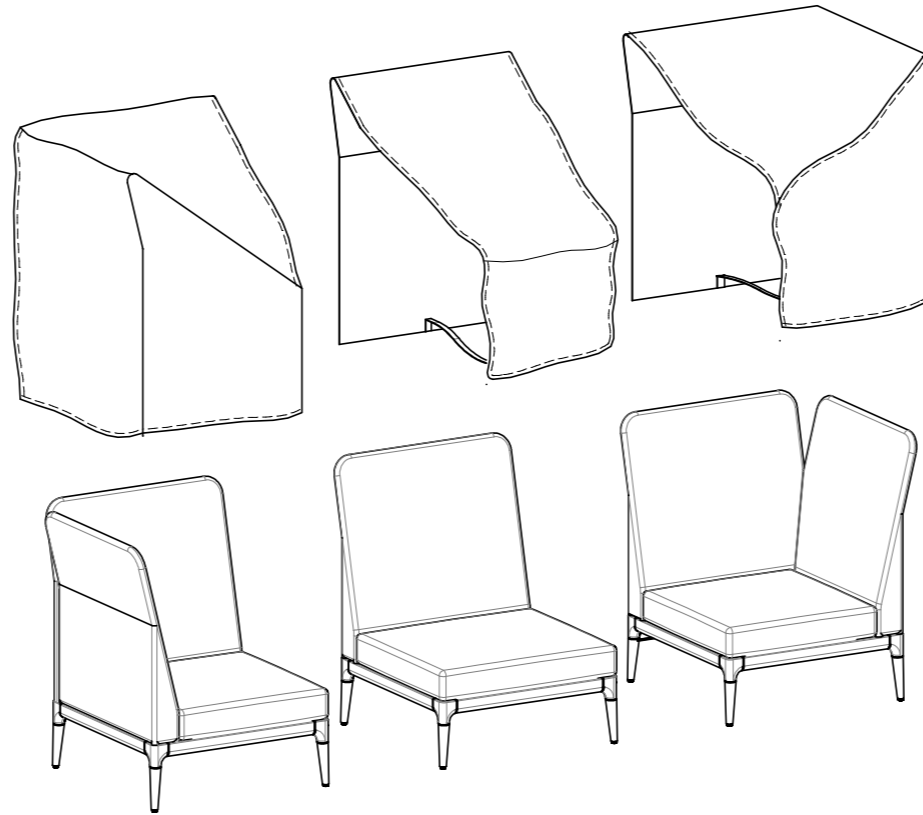
Linkage



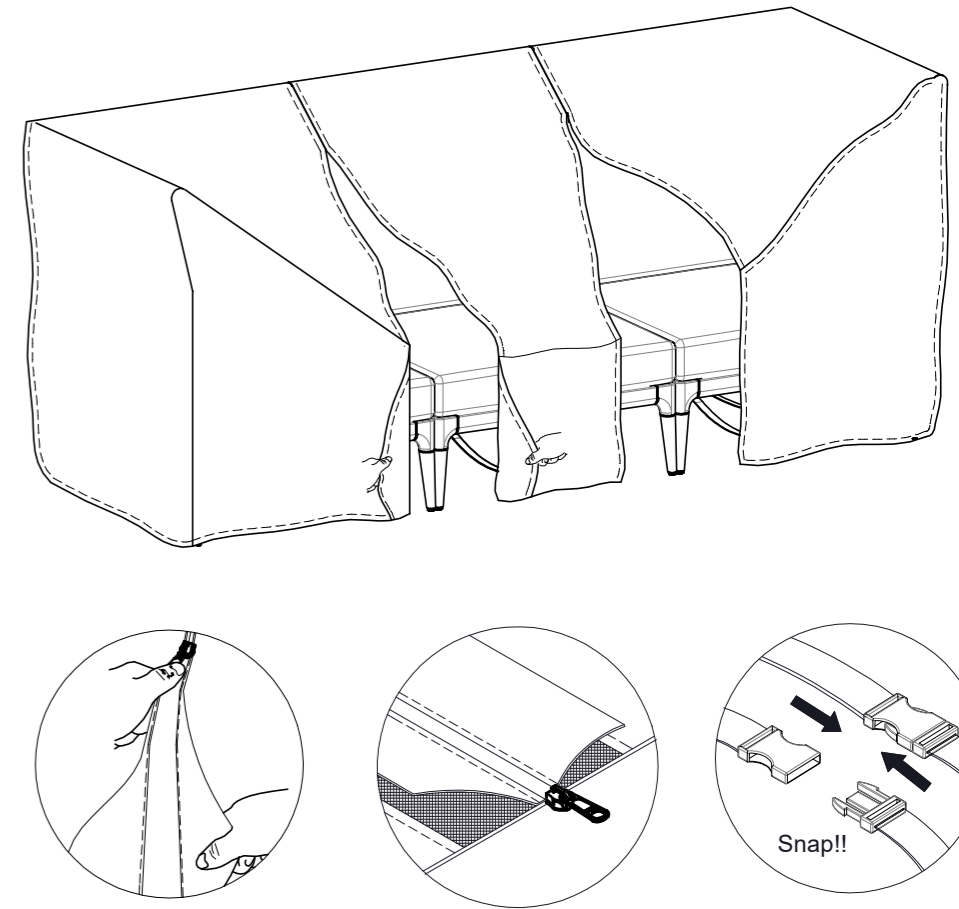


Lima Centre Unit Protective Cover High Back
Lima Centre Unit Protective Cover Low Back
Lima Corner Unit Protective Cover High Back
Lima Corner Unit Protective Cover Low Back
Lima Ottoman Protective Cover

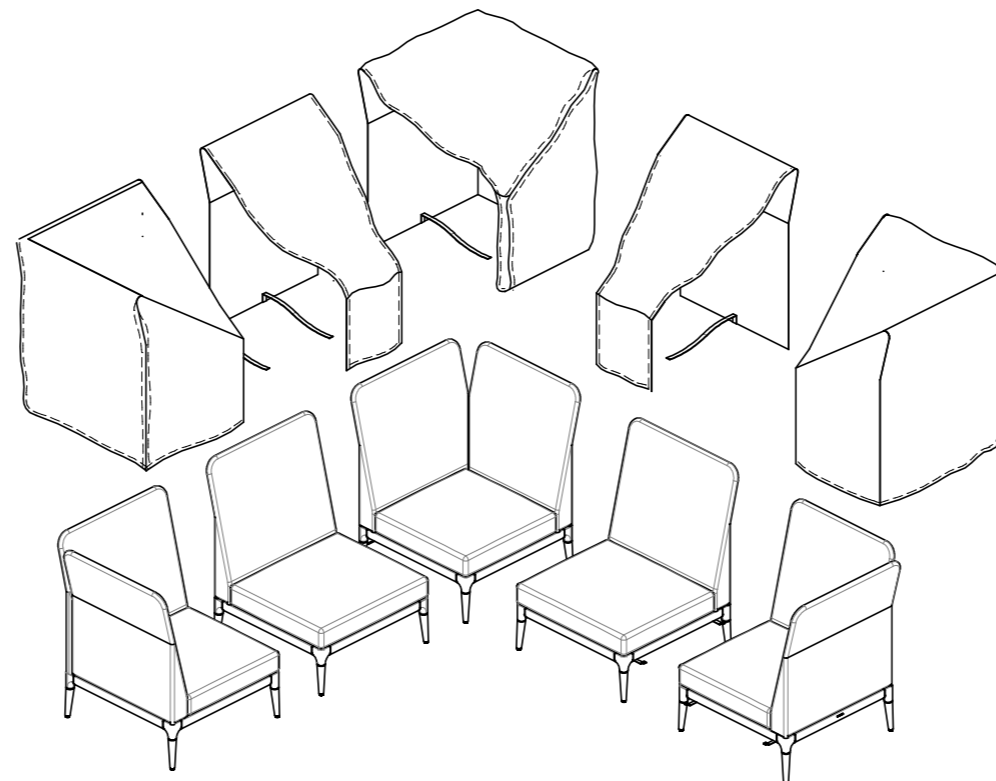
1 Lima Centre Unit Protective Cover High / Low Back



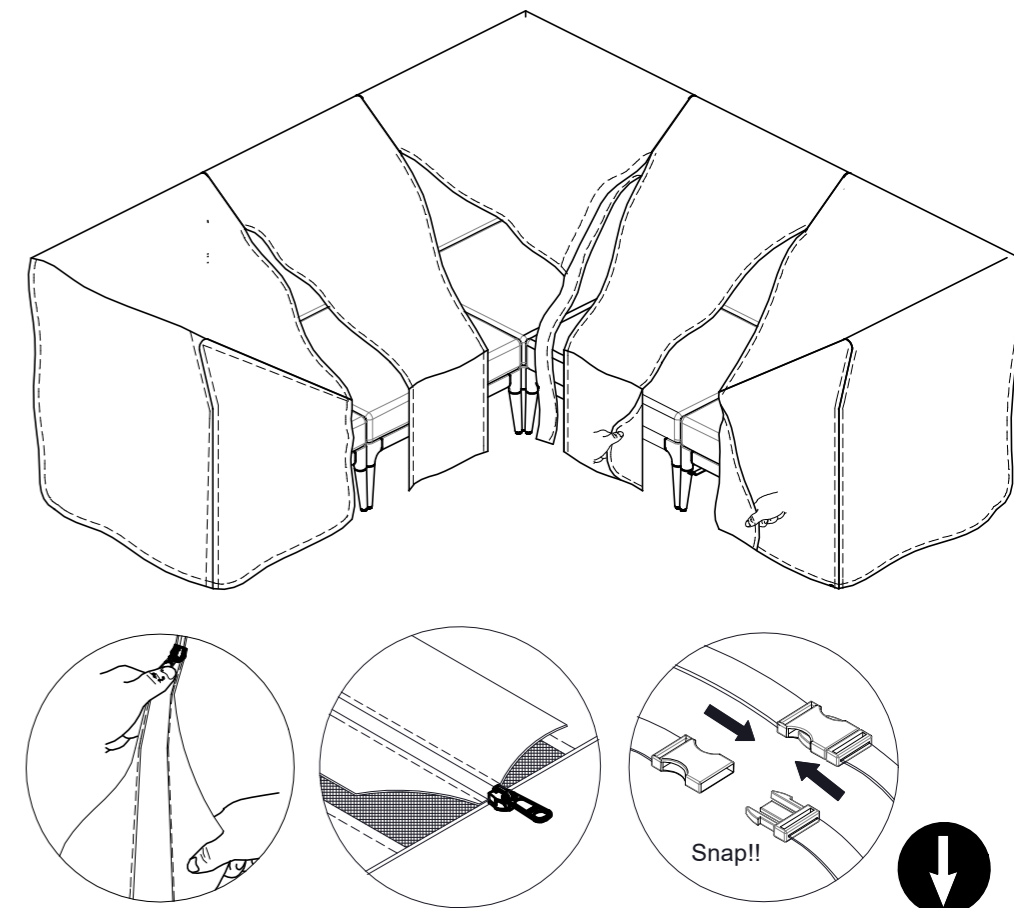
2



1 Lima Corner Unit Protective Cover High / Low Back

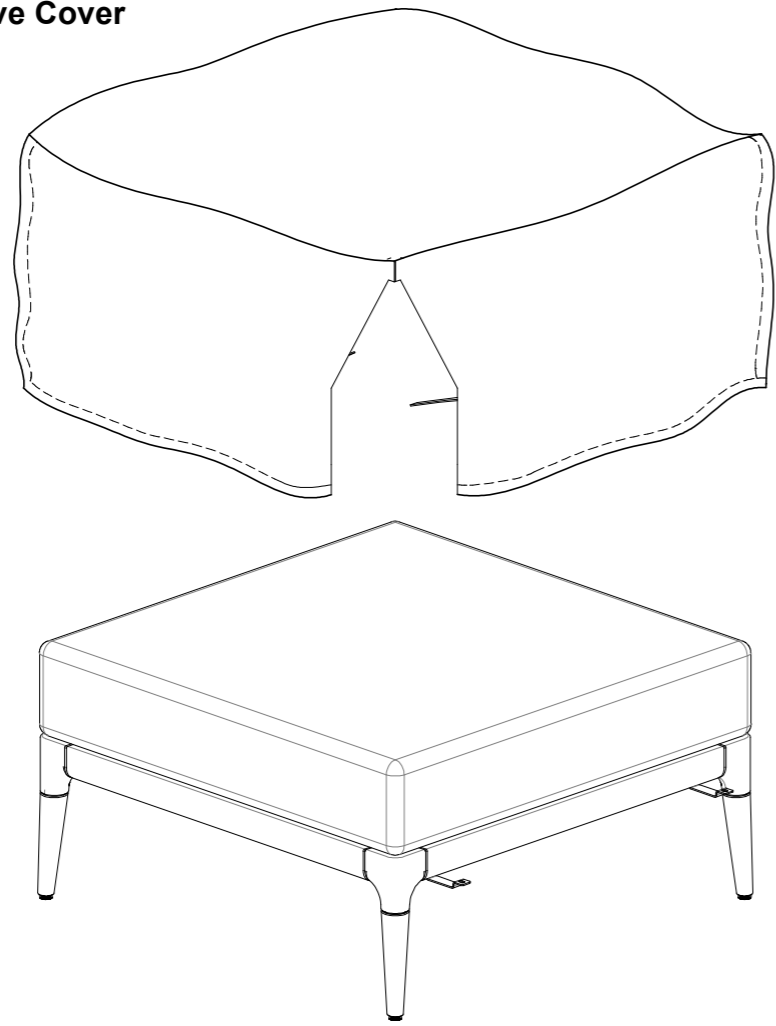


2

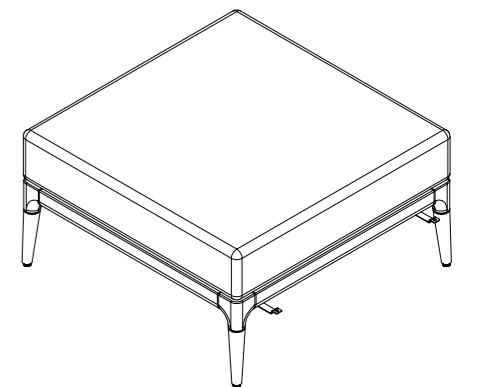
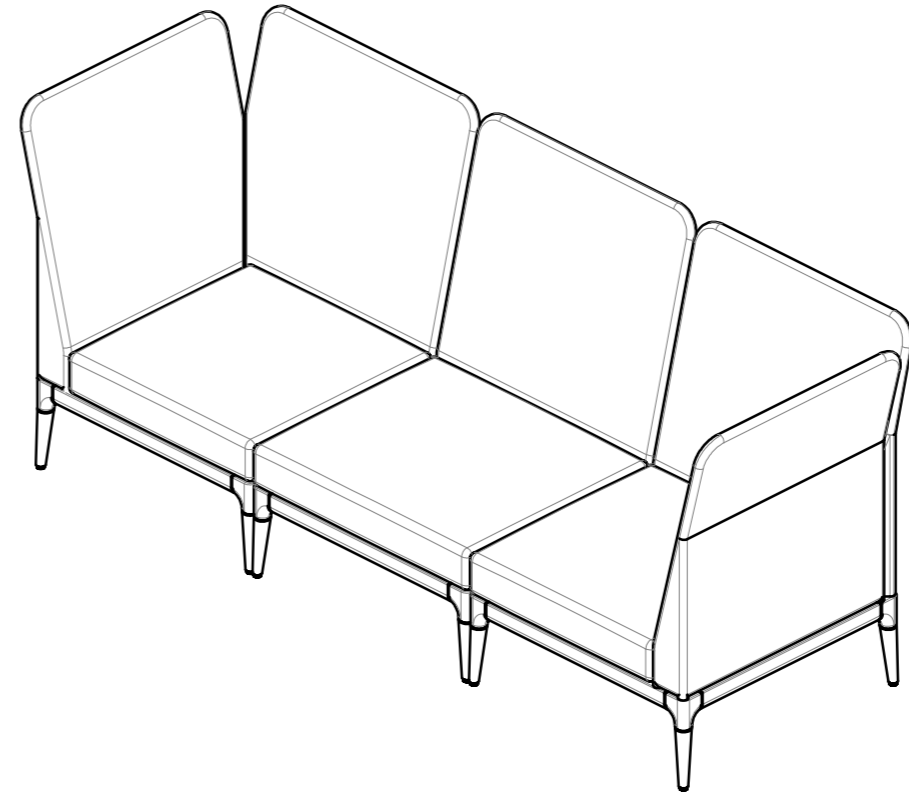
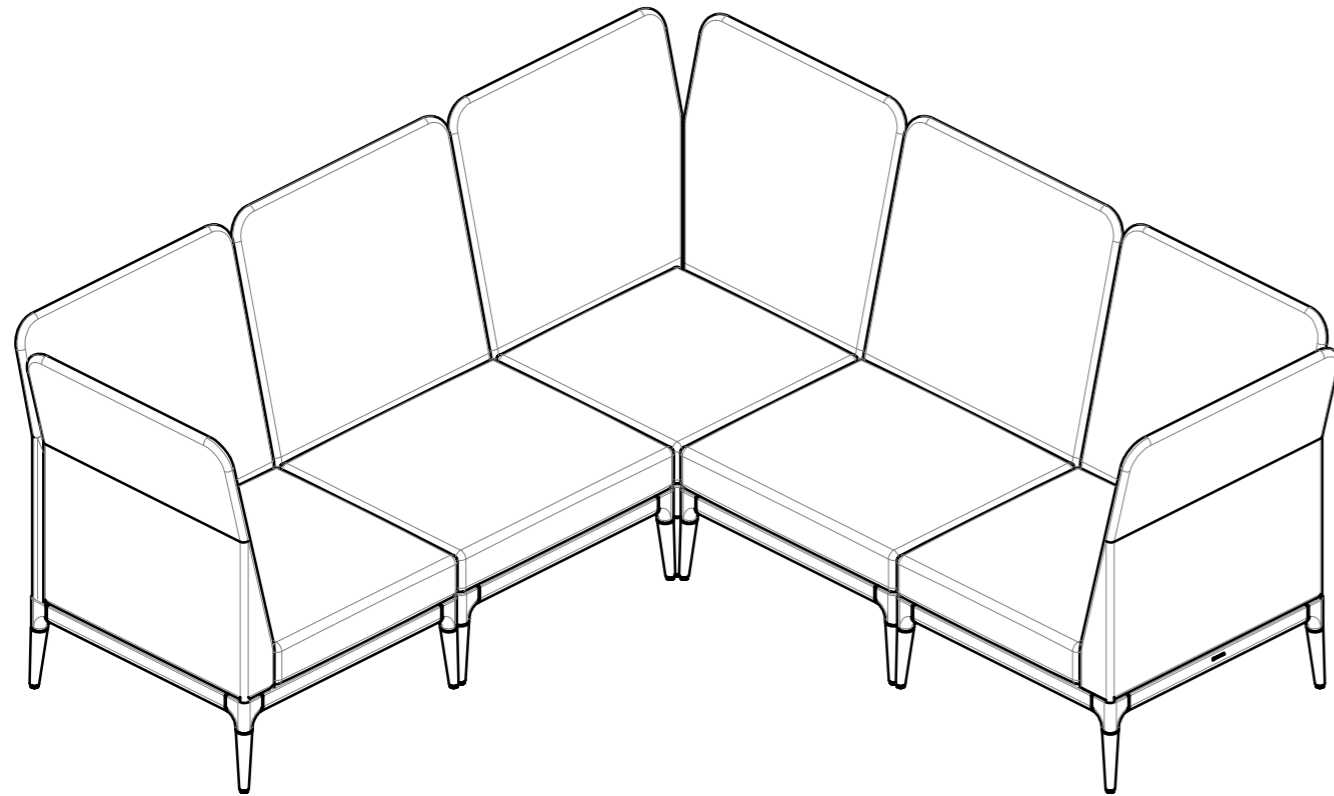
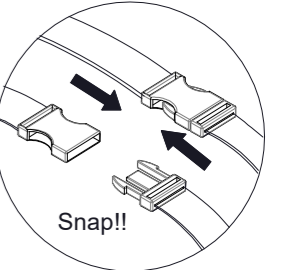
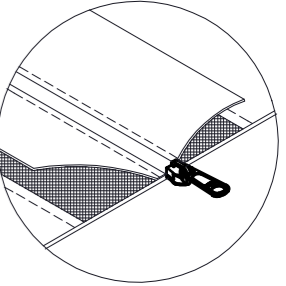
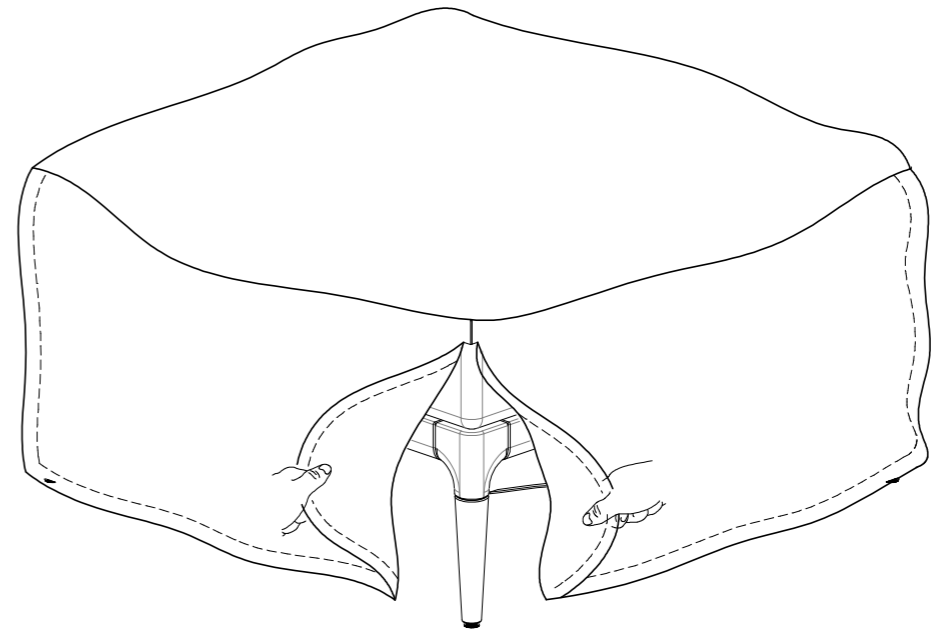


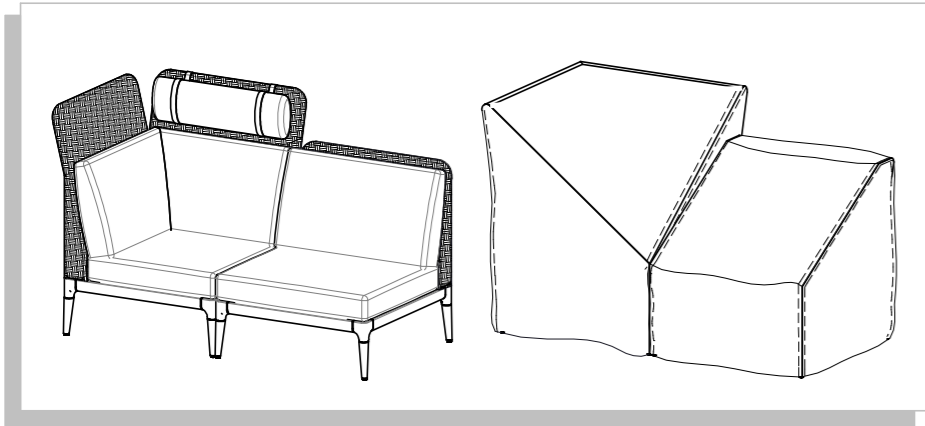
1

Lima Ottoman Protective Cover



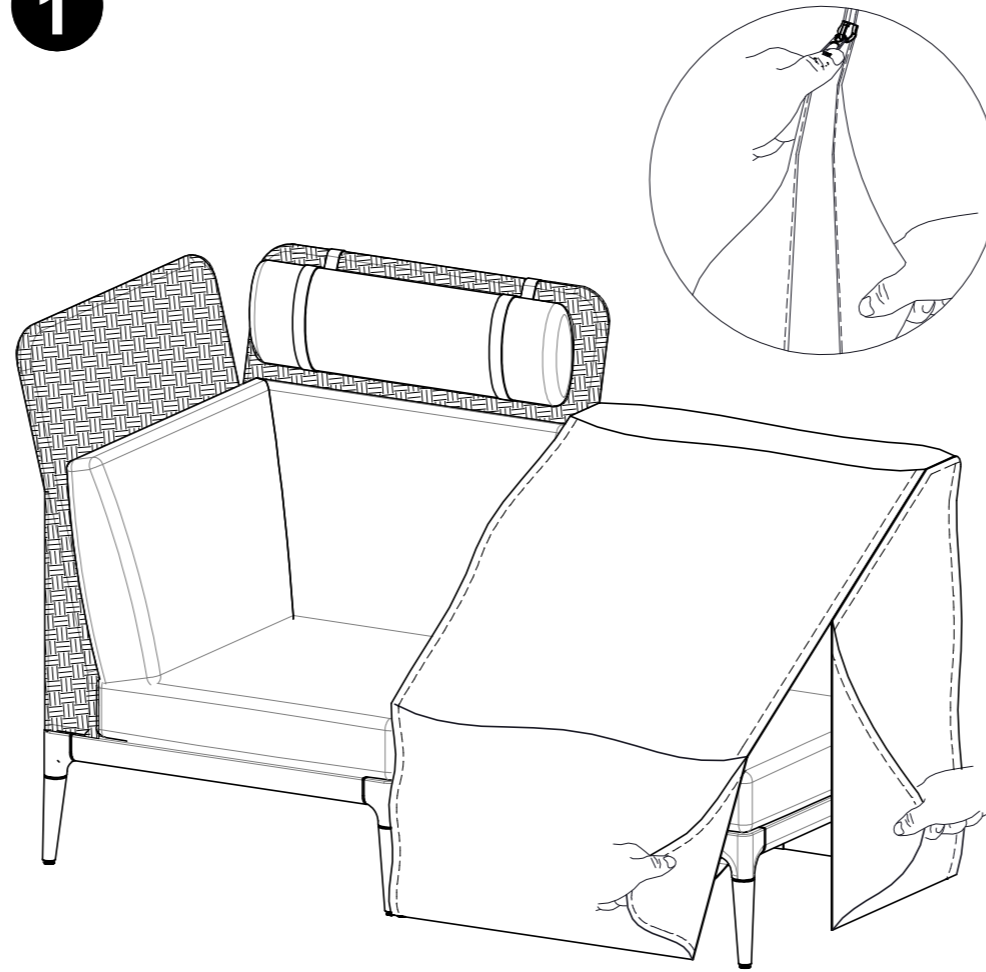
2



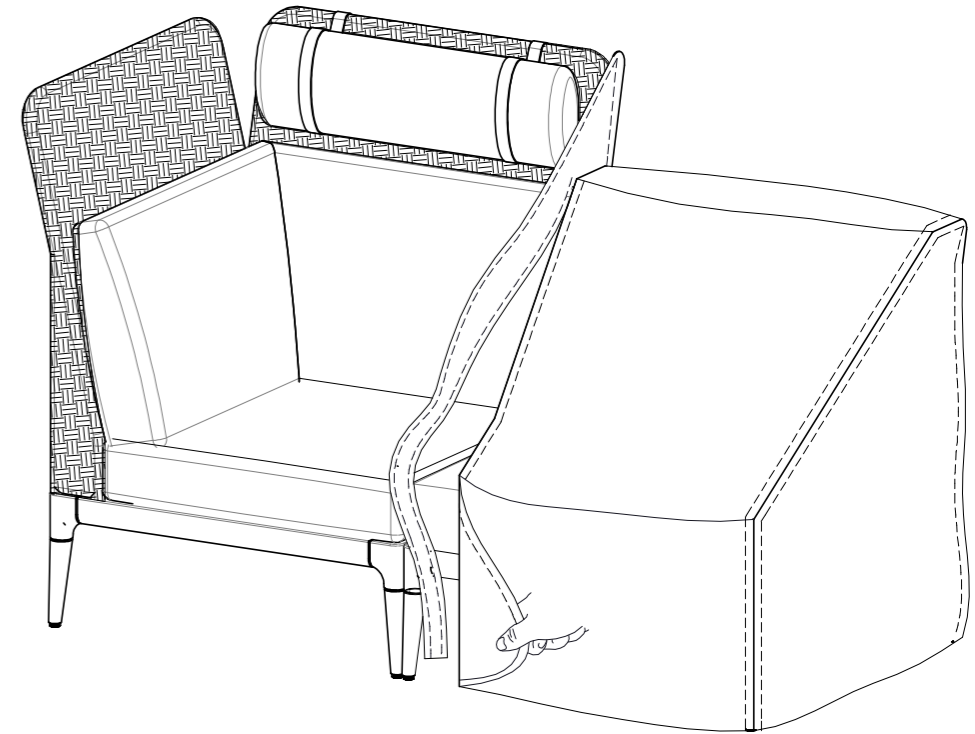


Lima High Low Protective Cover Adapter Kit

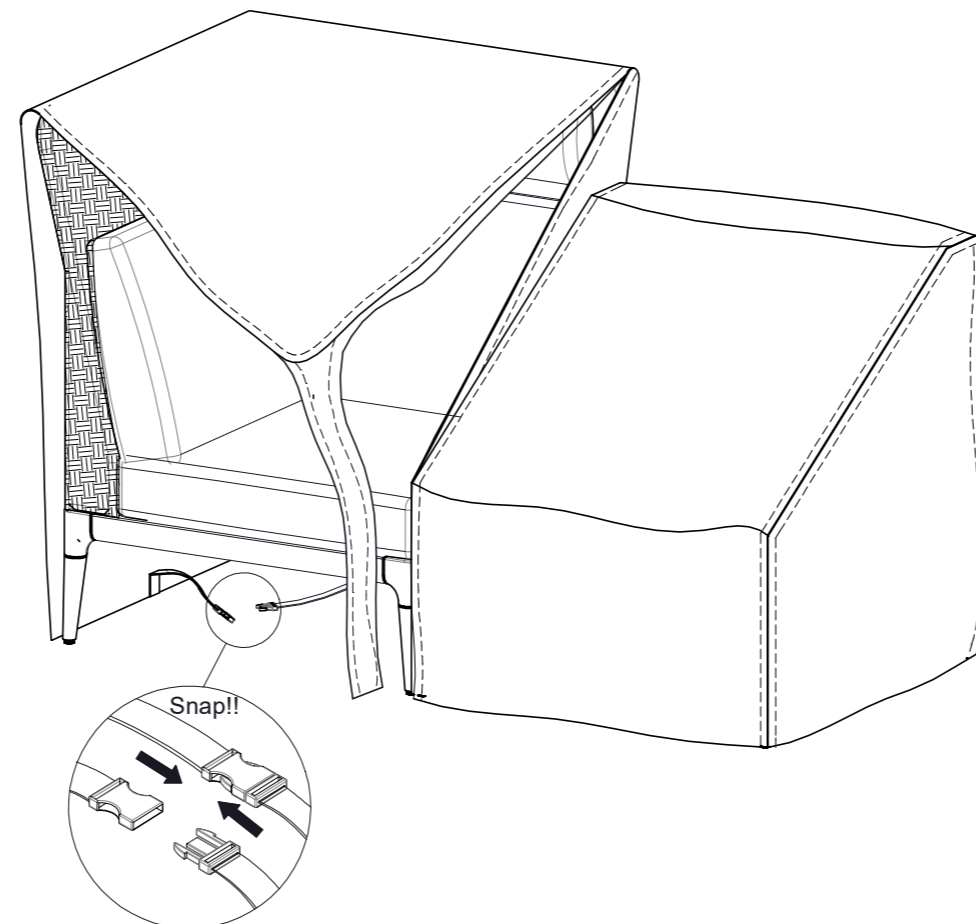
1



2



3



4

