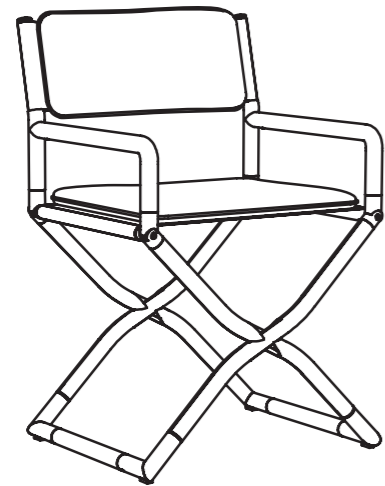
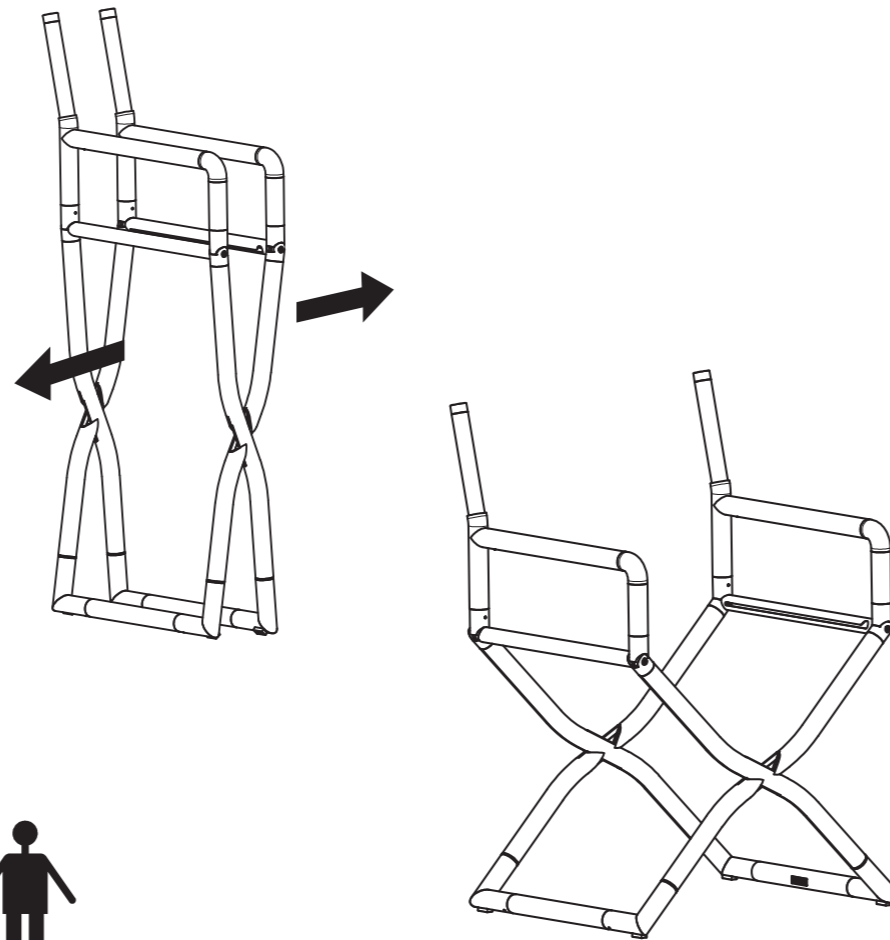


# NAVIGATOR FOLDING CHAIR WITH ARMS

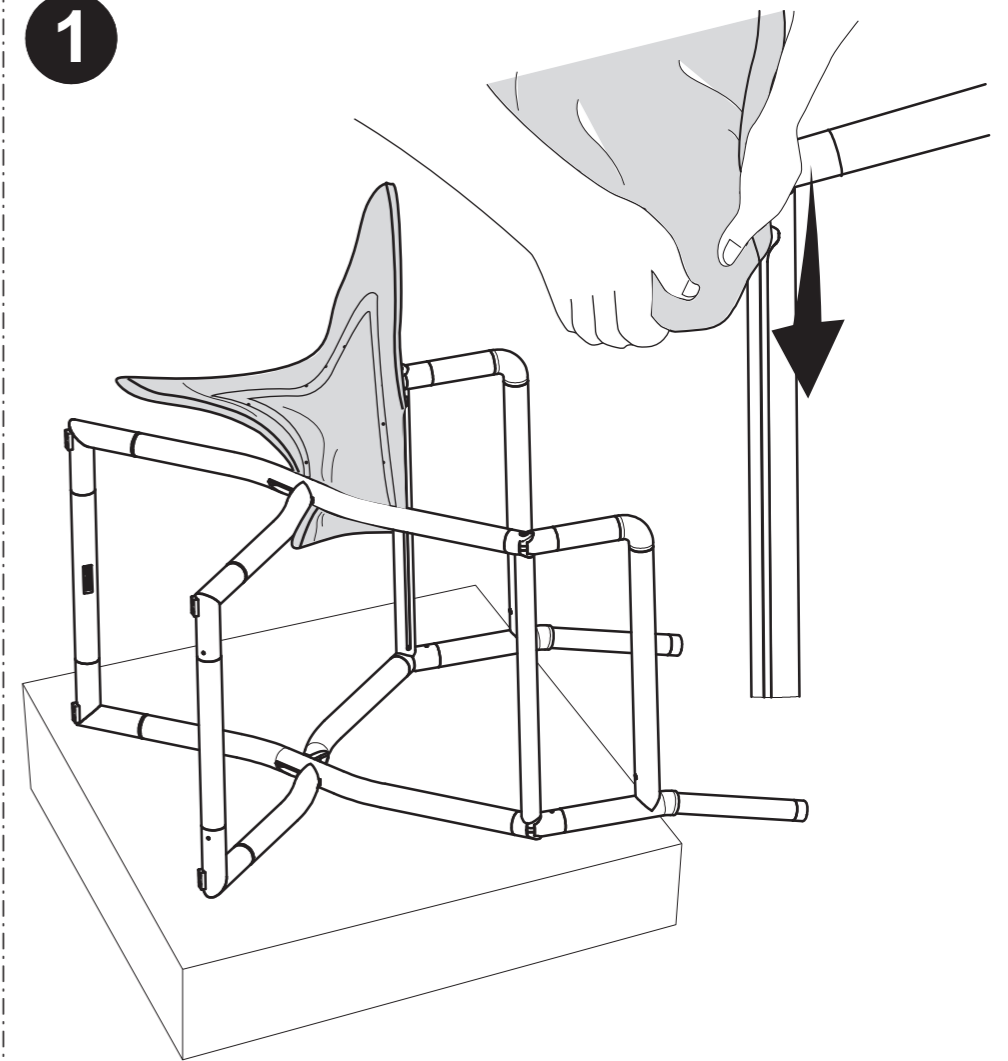
ASSEMBLY GUIDE



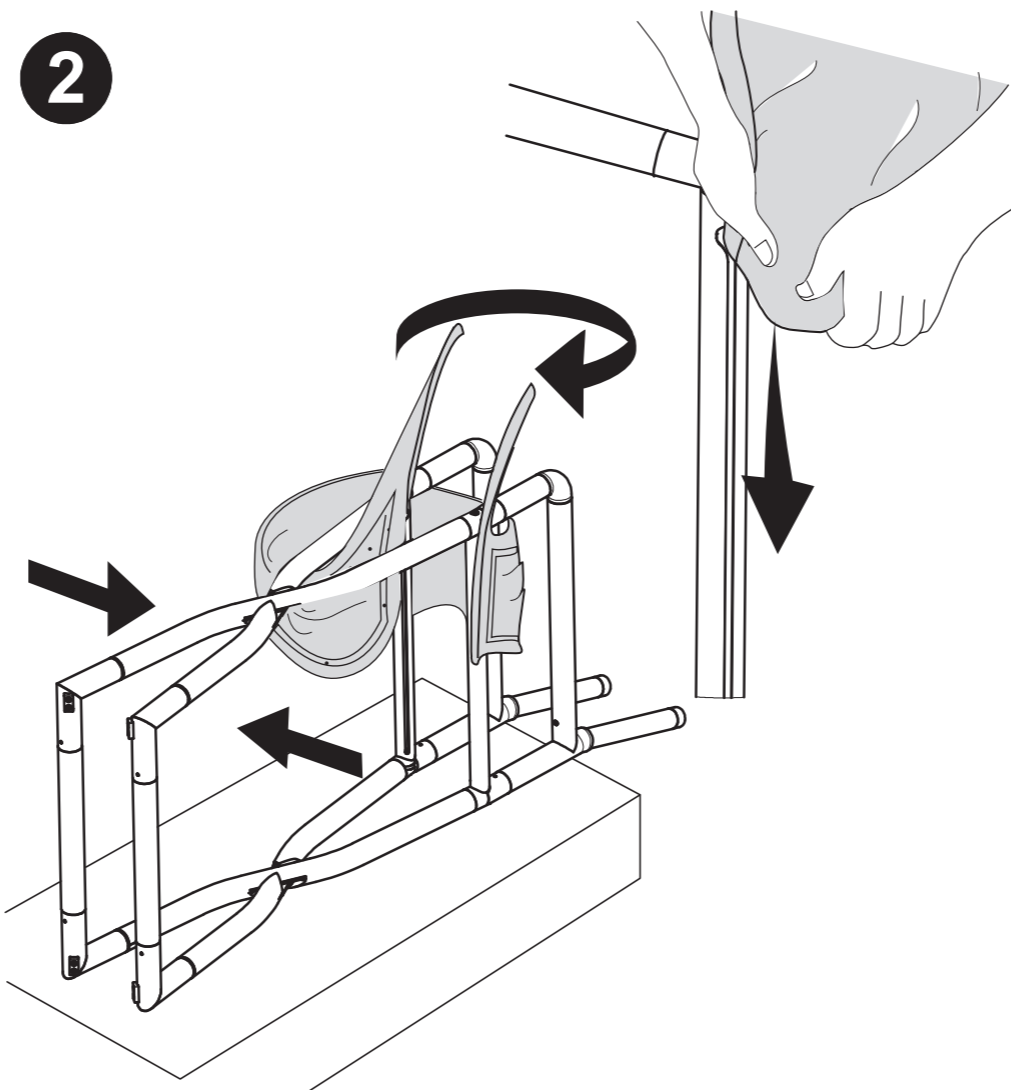
 GLOSTER



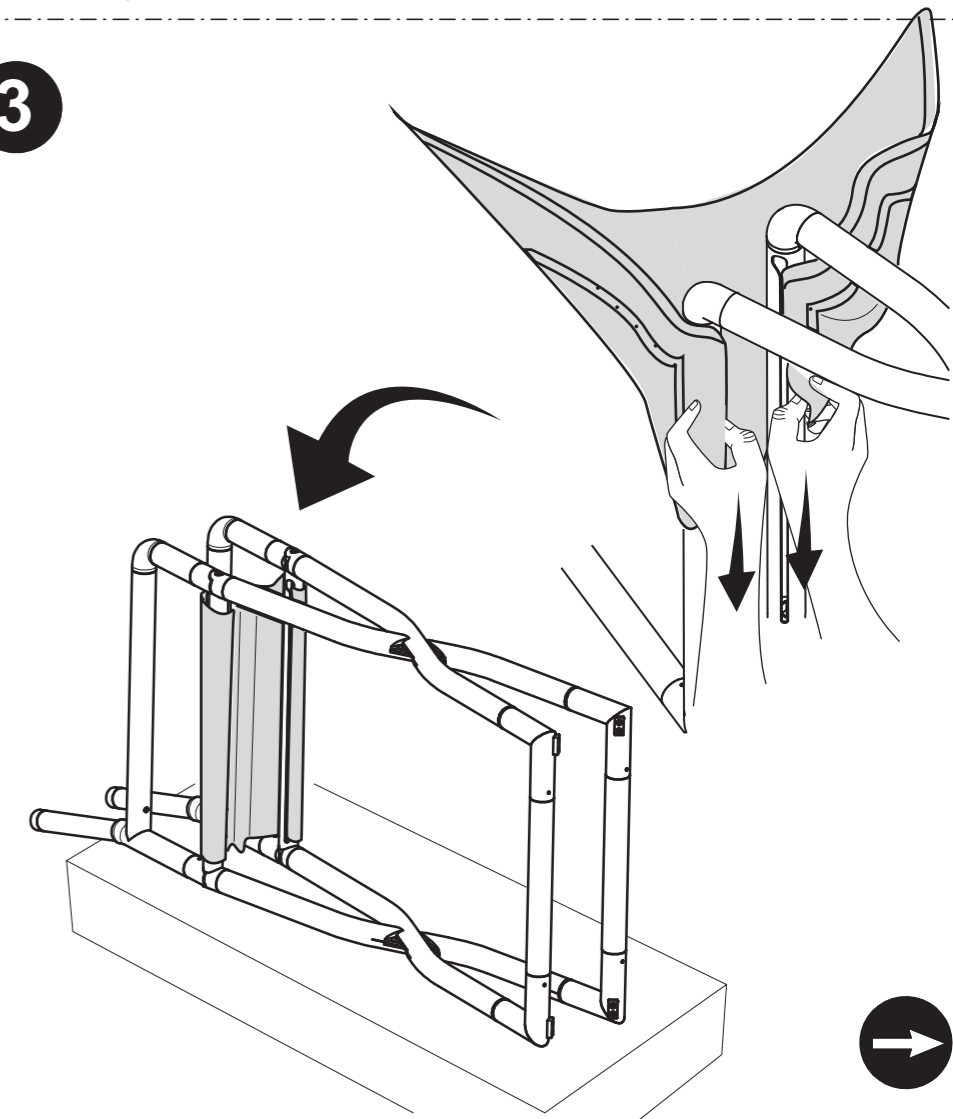
**1**



**2**



**3**



DISTRIBUTED IN THE USA BY:

Gloster Furniture  
1075 Fulp Industrial Road  
PO Box 738  
South Boston  
VA 24592  
USA

DISTRIBUTED IN EUROPE AND ROW BY:

Gloster Furniture GmbH  
Zeppelinstrasse 22  
21337 Luneburg  
Germany  
Tel. +49 (0)4131 287530

GENERAL SAFETY GUIDELINES

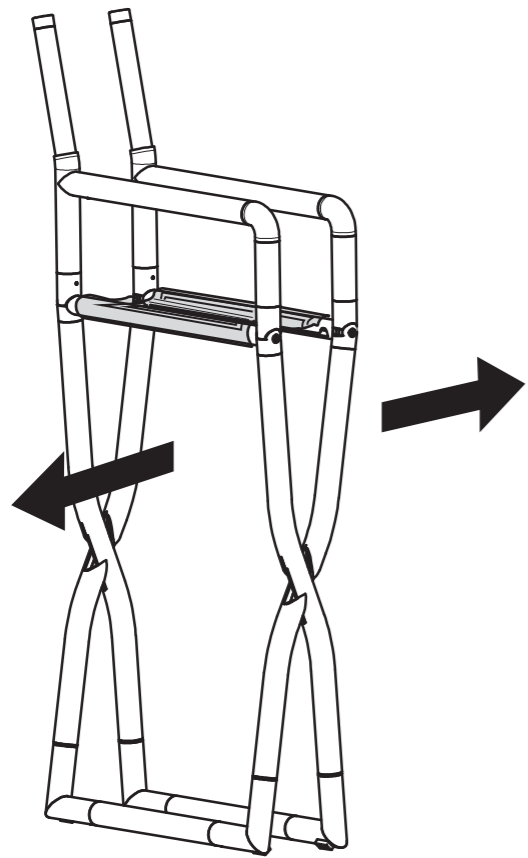
IMPORTANT, RETAIN FOR FUTURE REFERENCE: READ CAREFULLY

Keep this guide for future reference, do not throw away.  
This product is suitable for use in both residential and contract environments.

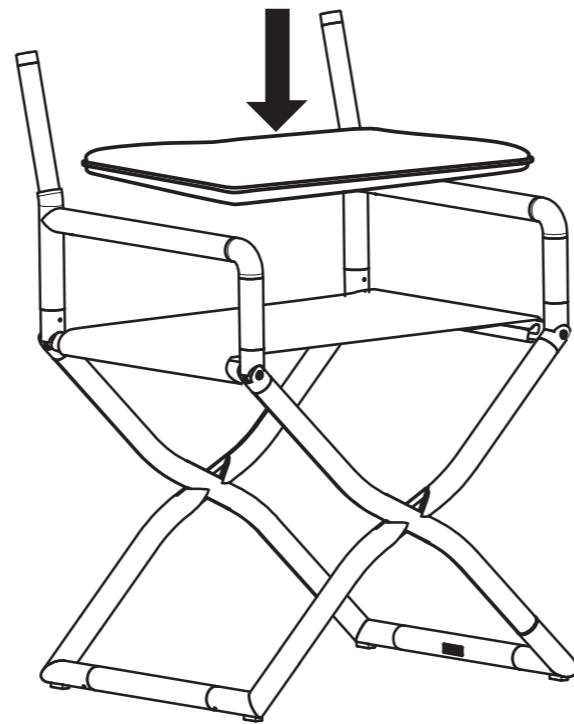
Warranty  
[www.gloster.com](http://www.gloster.com)



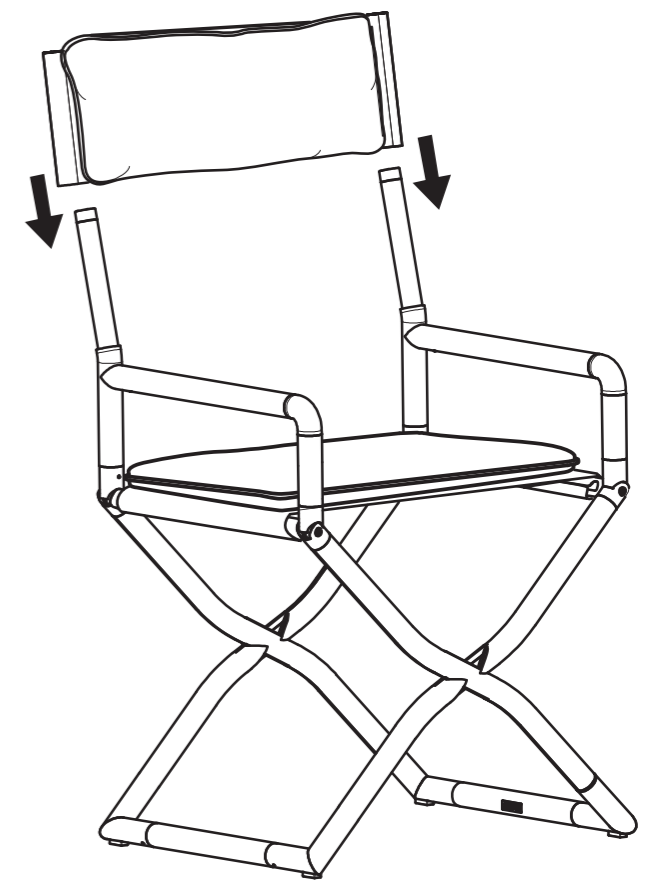
4



5



6



7

