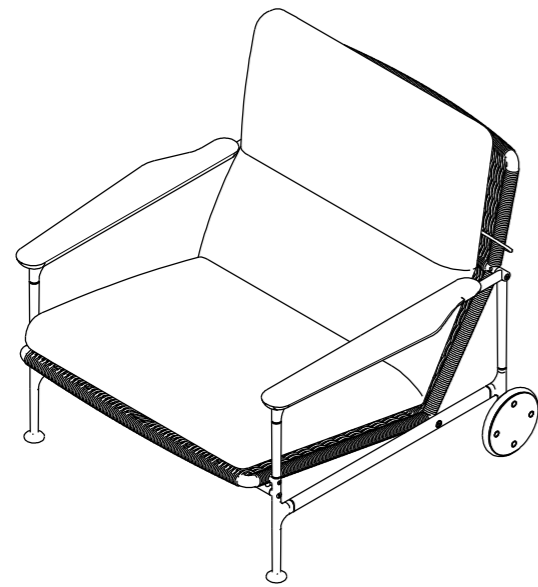
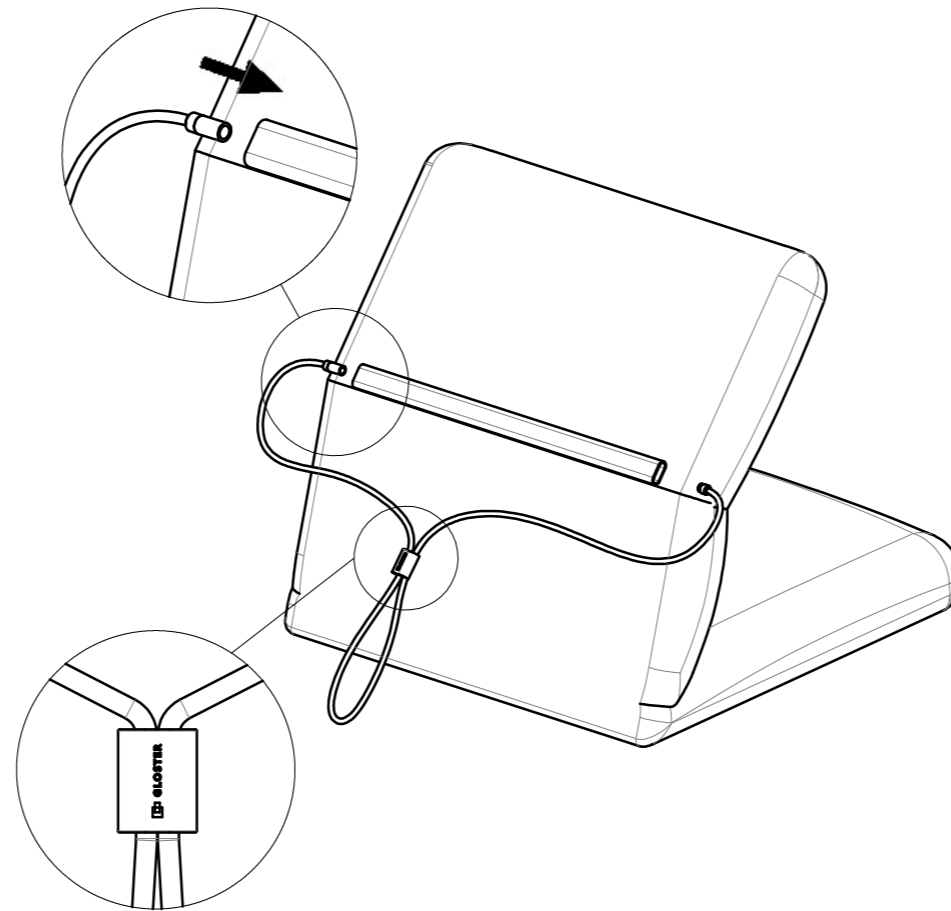


ZENITH CUSHION LEATHER ROPE

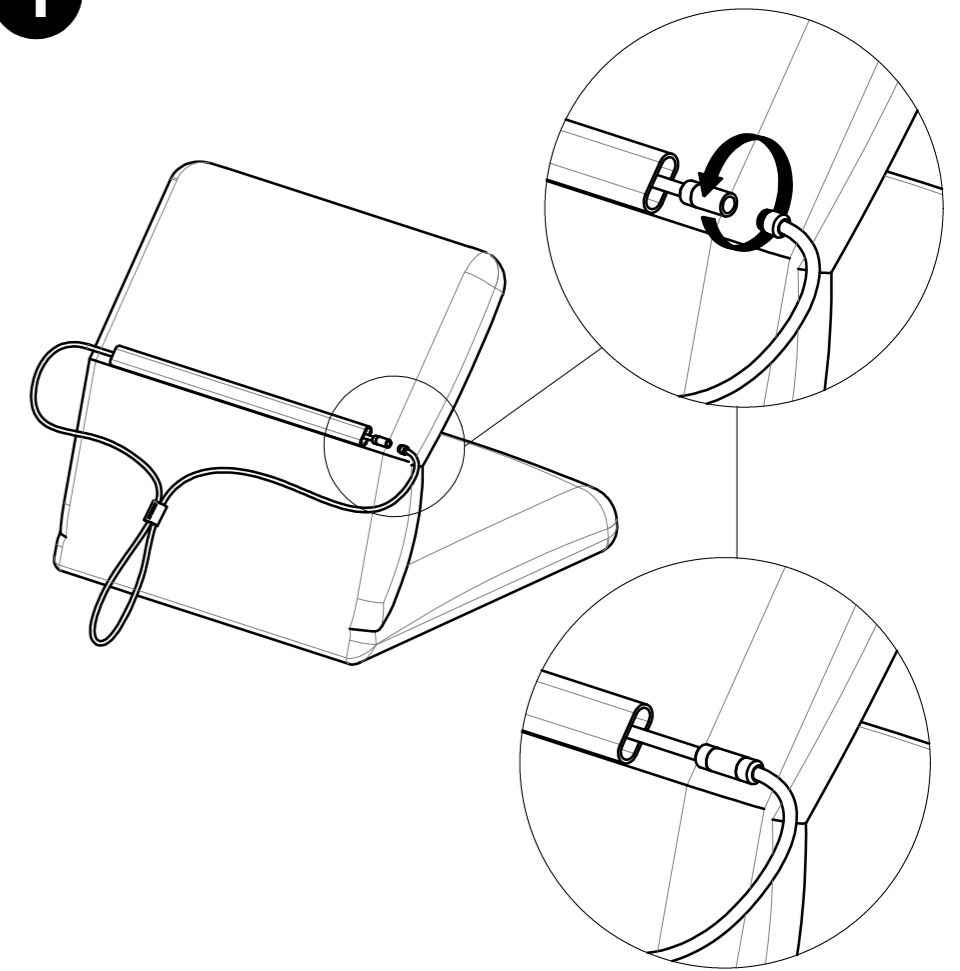
ASSEMBLY GUIDE



 GLOSTER



1



DISTRIBUTED IN THE USA BY:

Gloster Furniture
1075 Fulp Industrial Road
PO Box 738
South Boston
VA 24592
USA

DISTRIBUTED IN EUROPE AND ROW BY:

Gloster Furniture GmbH
Zeppelinstrasse 22
21337 Lüneburg
Germany
Tel. +49 (0)4131 287530

GENERAL SAFETY GUIDELINES

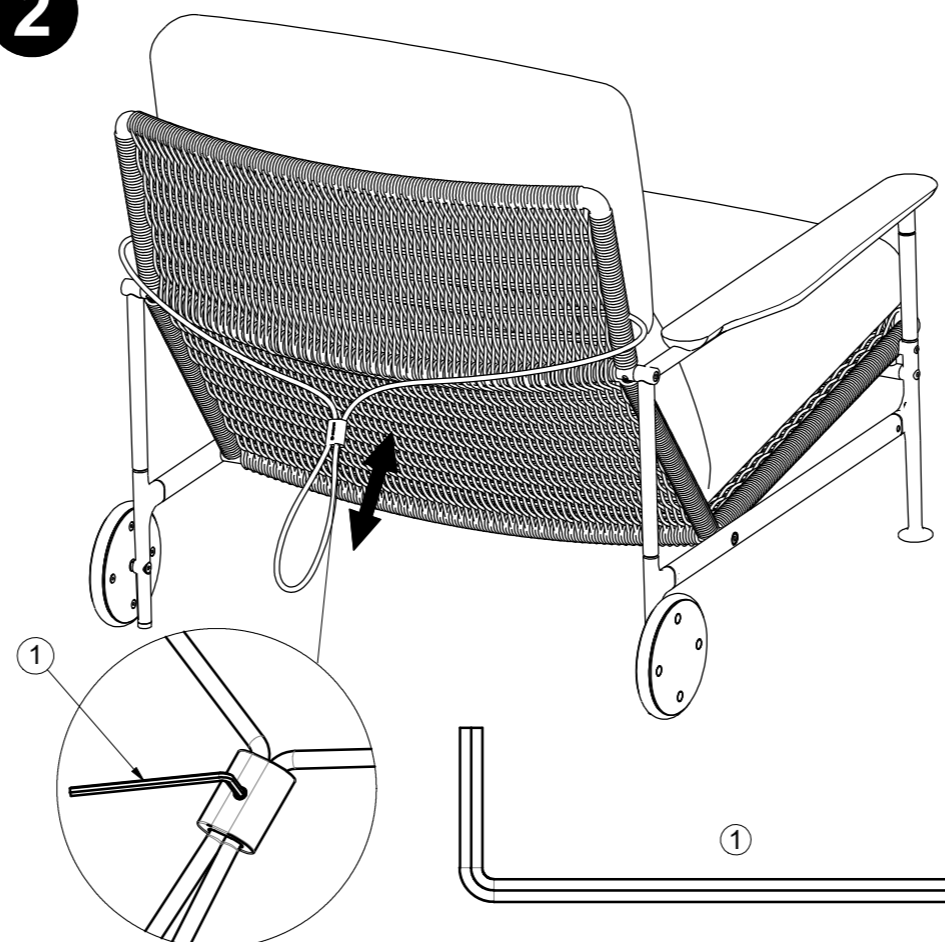
IMPORTANT, RETAIN FOR FUTURE REFERENCE: READ CAREFULLY

Keep this guide for future reference, do not throw away.
This product is suitable for use in both residential and contract environments.

Warranty
www.gloster.com

09/11/21 - V2

2



3

