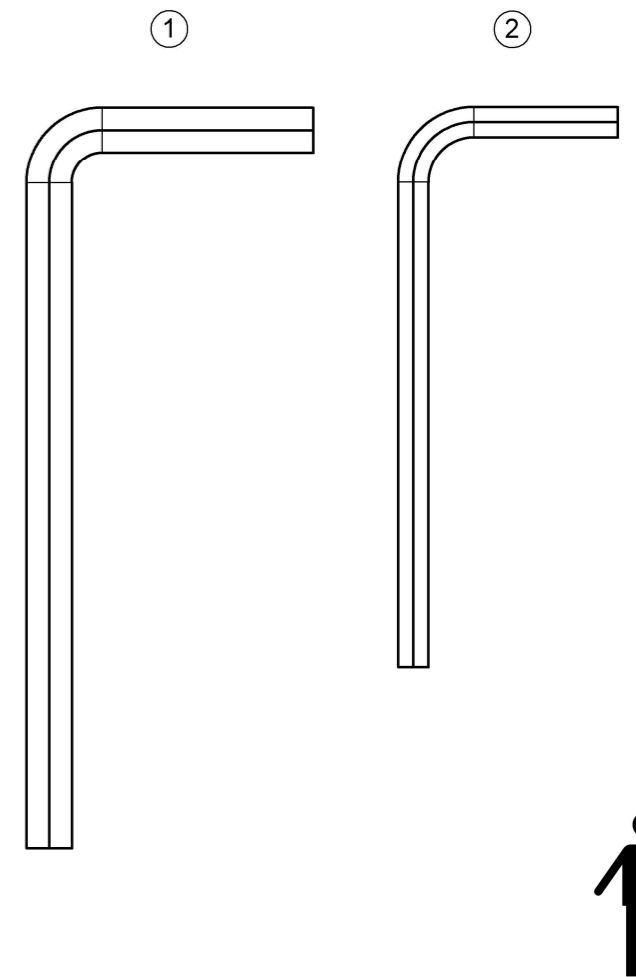
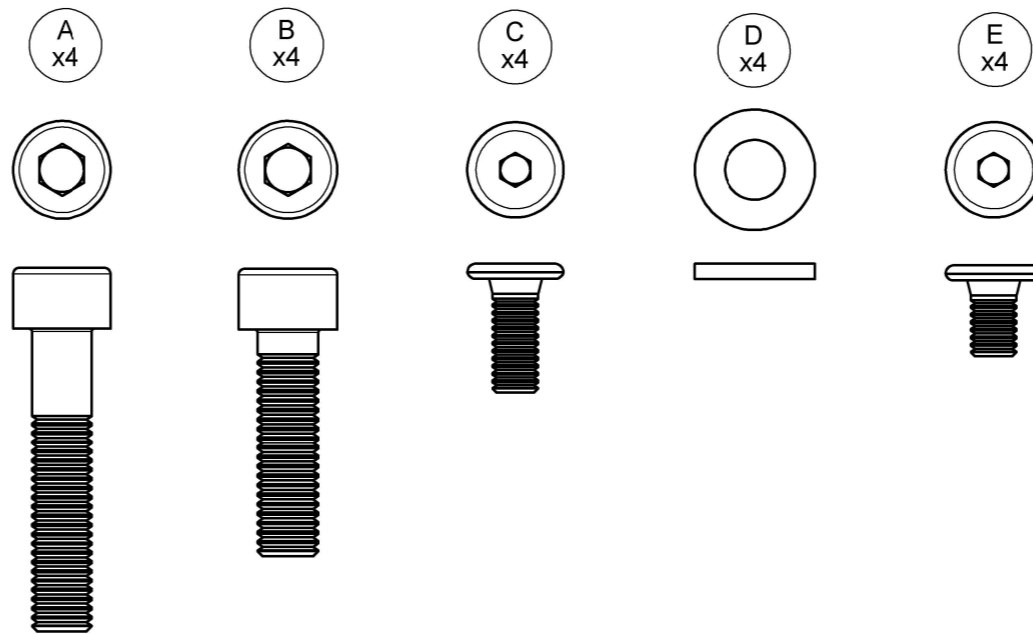
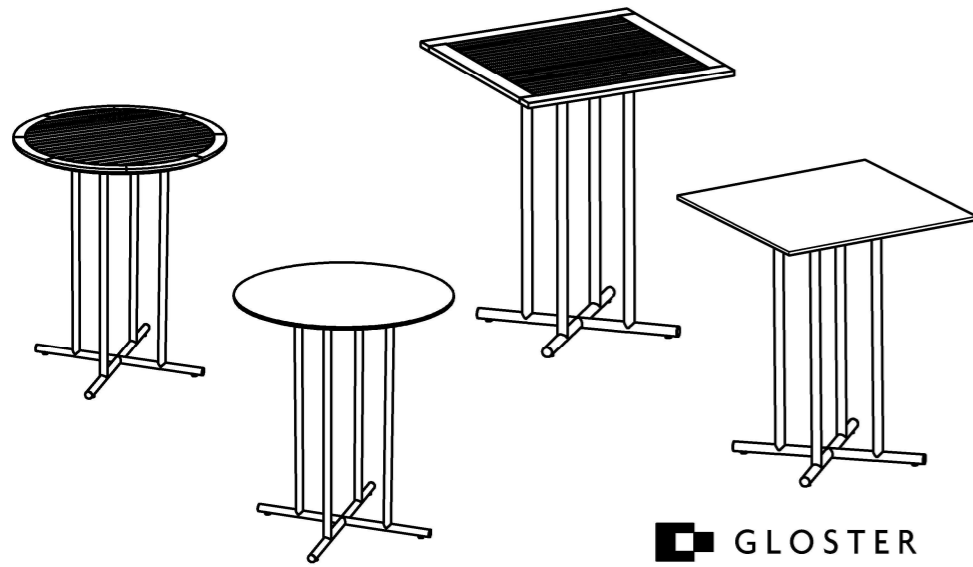


# WHIRL BAR HEIGHT TABLE BASE

ASSEMBLY GUIDE



## DISTRIBUTED IN THE USA BY:

Gloster Furniture  
1075 Fulp Industrial Road  
PO Box 738  
South Boston  
VA 24592  
USA

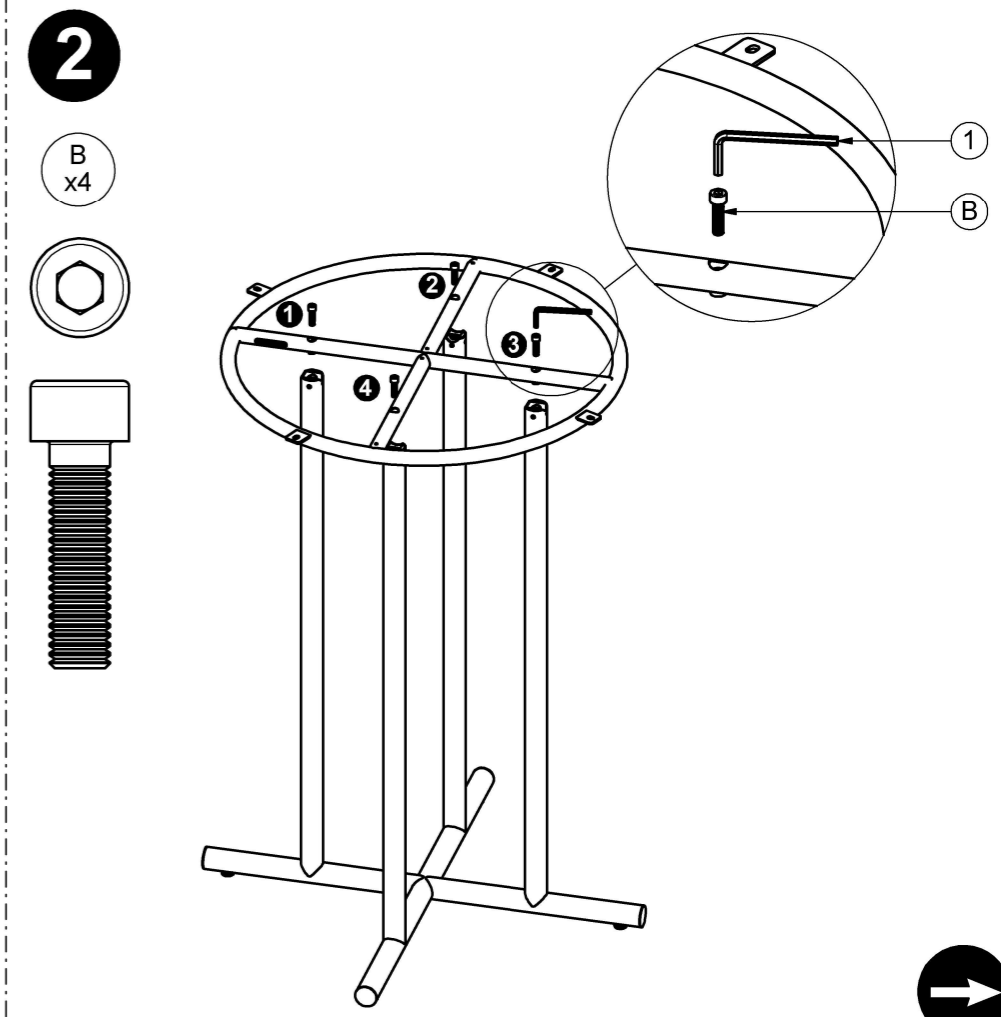
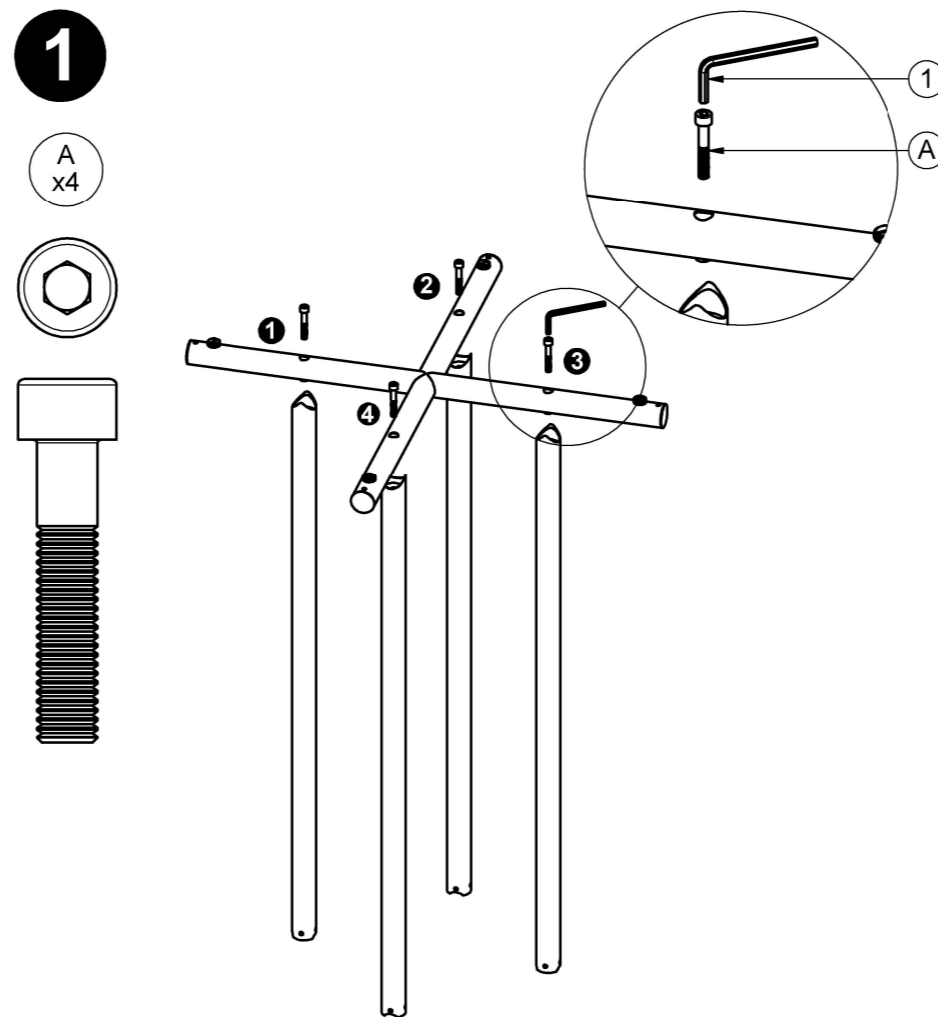
## DISTRIBUTED IN EUROPE AND ROW BY:

Gloster Furniture GmbH  
Zeppelinstrasse 22  
21337 Luneburg  
Germany  
Tel. +49 (0)4131 287530

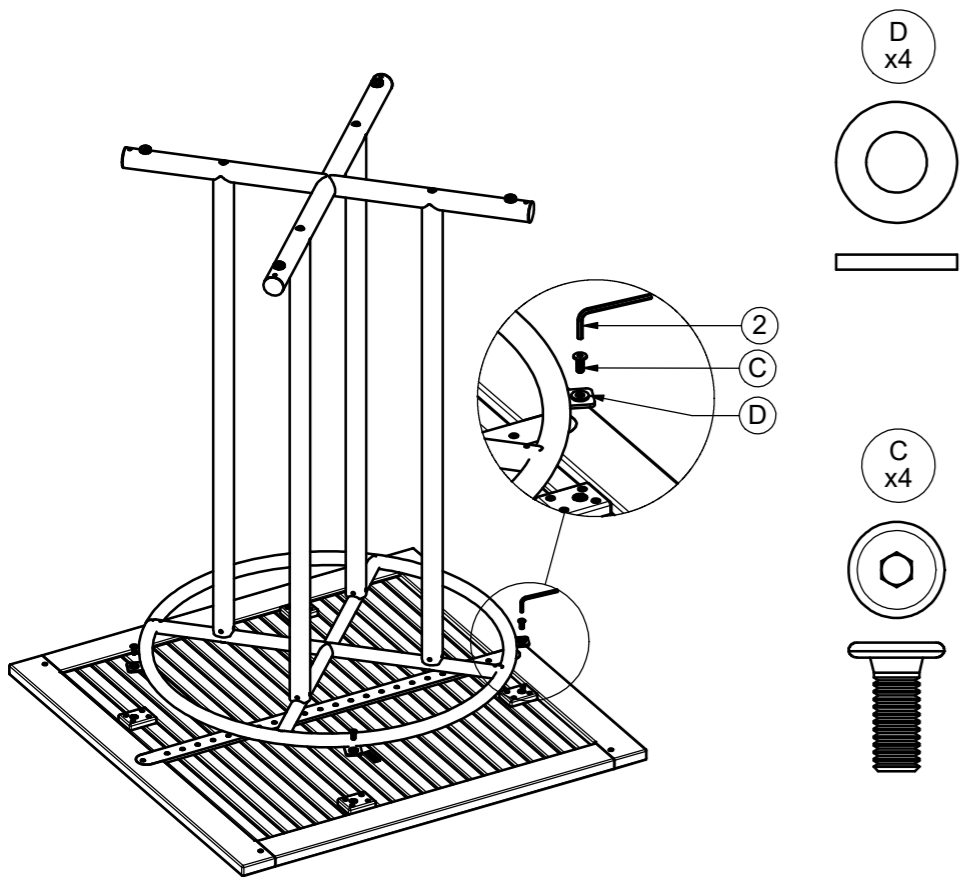
## GENERAL SAFETY GUIDELINES

Read this guide carefully before using the product.  
Keep this guide for future reference, do not throw away.  
Only use the product in accordance with these instructions. Failure to follow the instructions contained  
Within the user guide can result in damage to the product, and the warranty will become void.  
Any responsibility is disclaimed due incorrect use of the product.  
This product is suitable for use in both residential and contract environments.

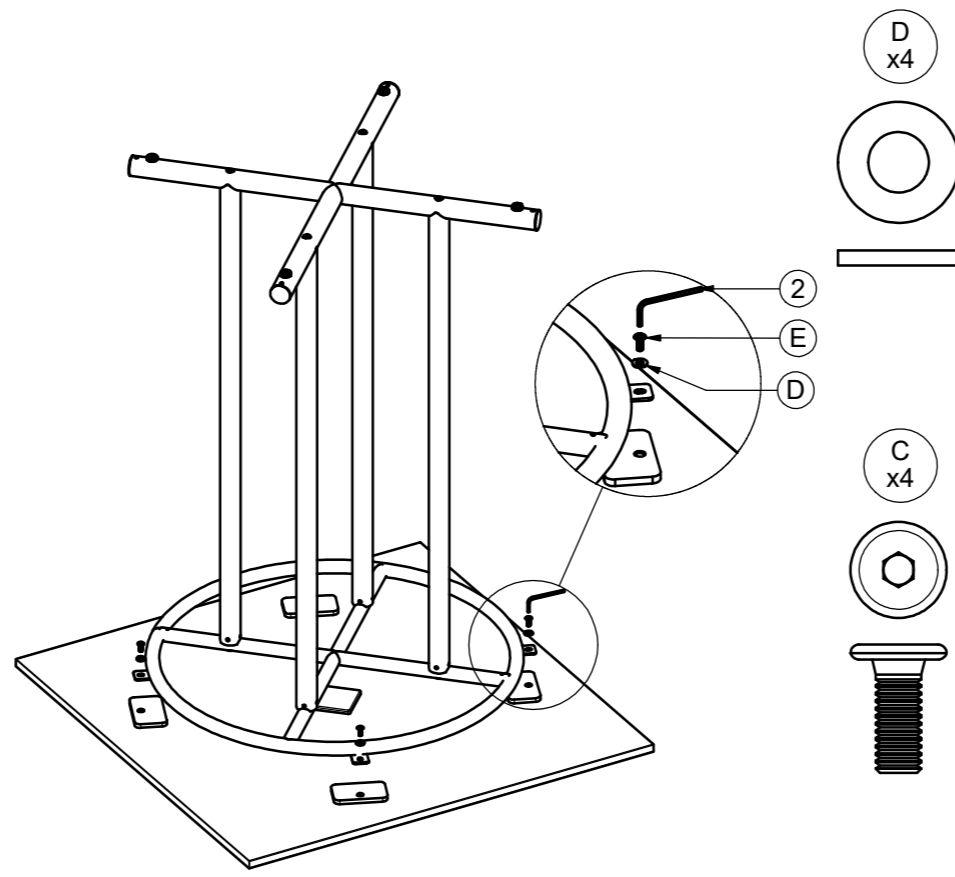
Warranty  
[www.gloster.com](http://www.gloster.com)



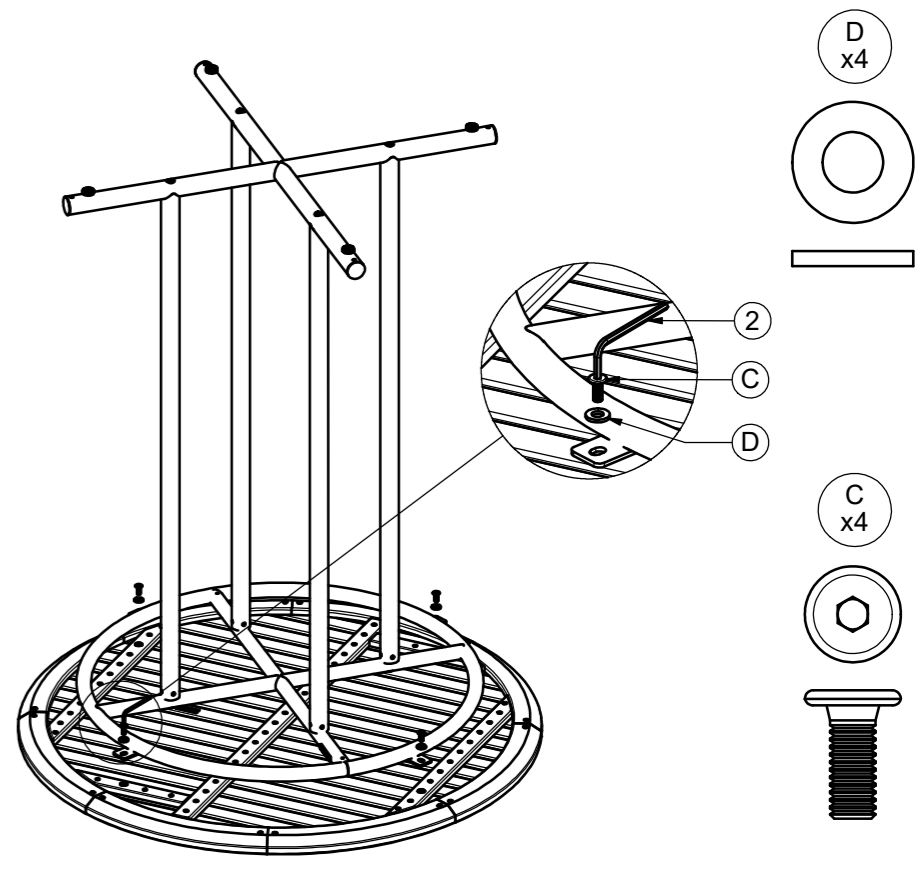
**3** MODEL 7590 TEAK TOP



**4** MODEL 7591/7597/7598 CERAMIC TOP



**5** MODEL 7580 TEAK TOP



**6** MODEL 7581/7587/7588 CERAMIC TOP

