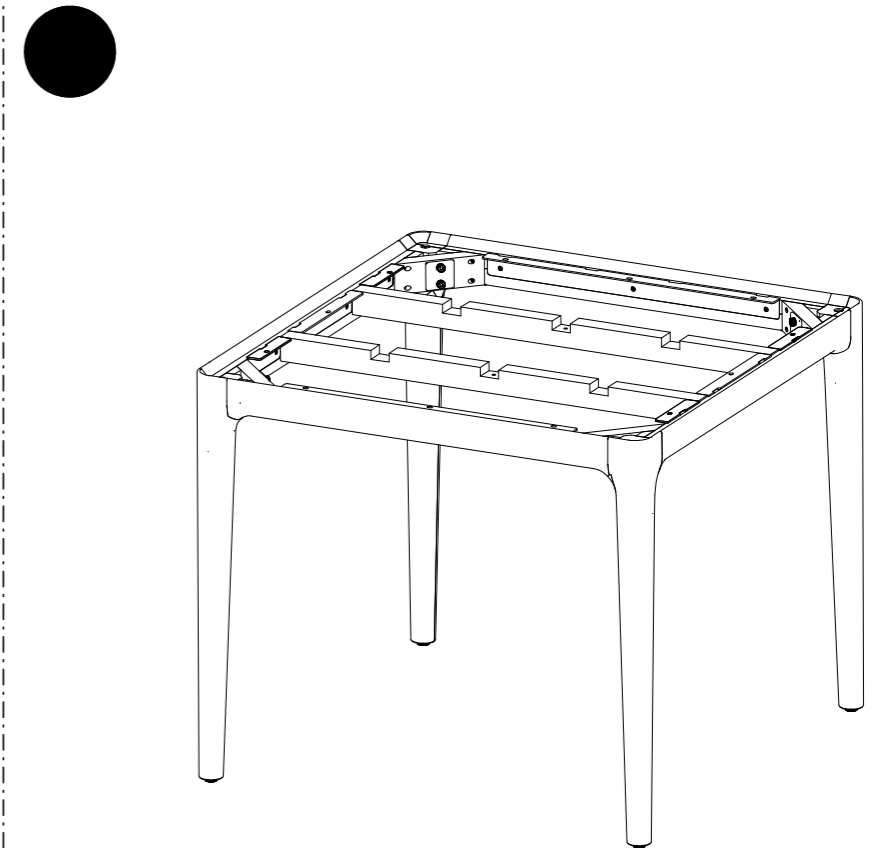
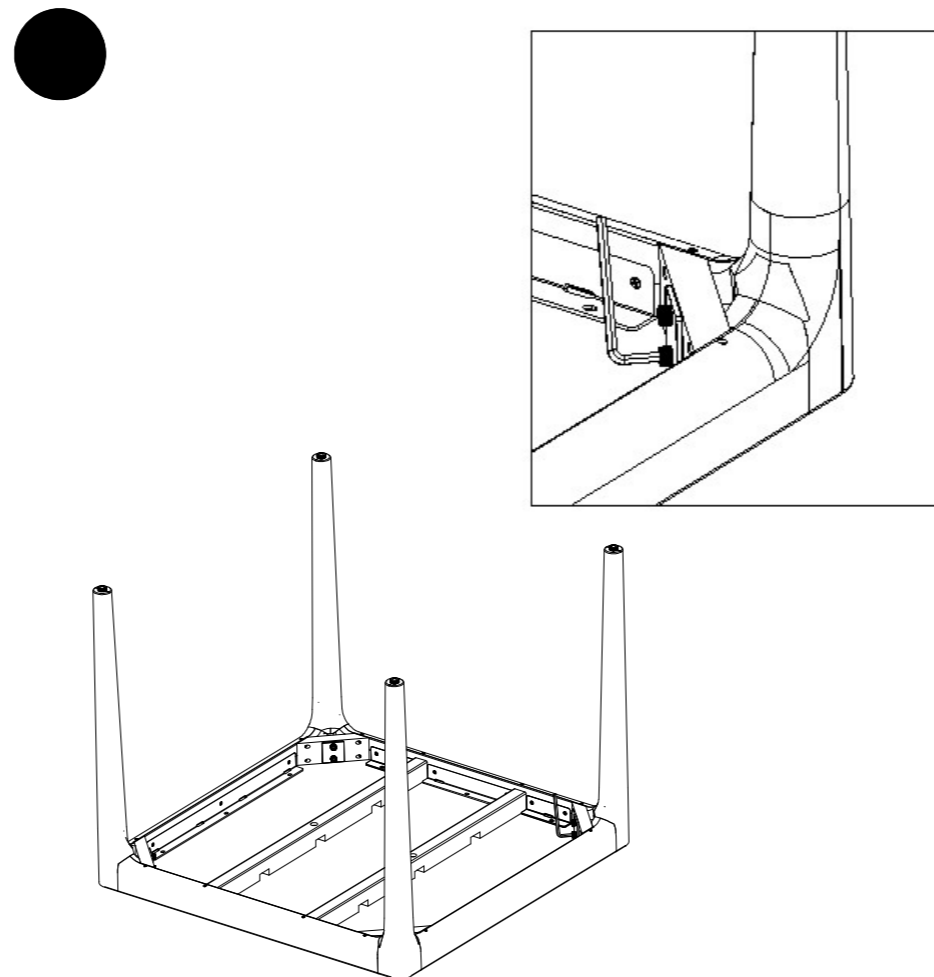
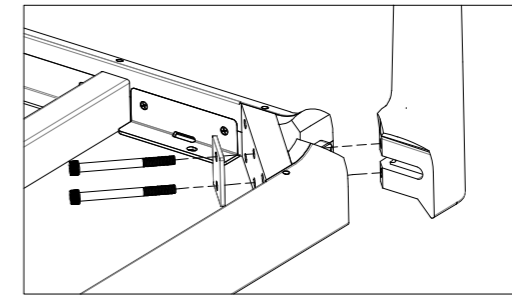
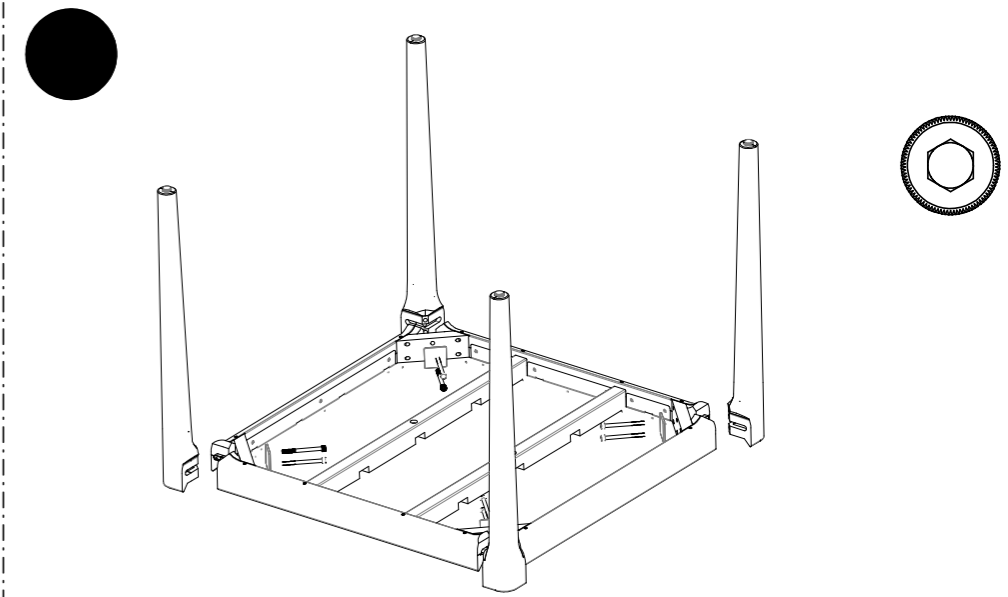
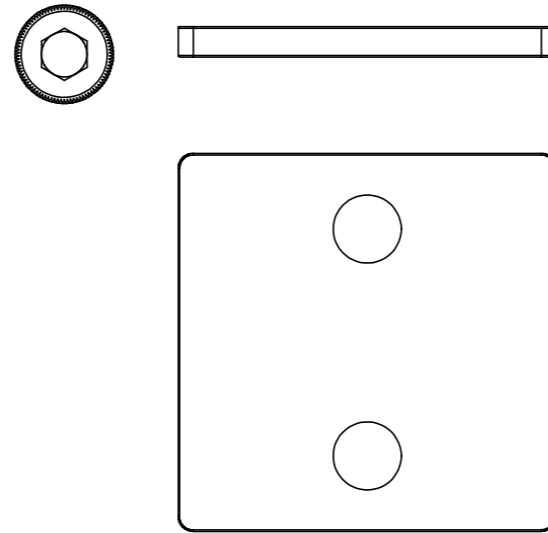
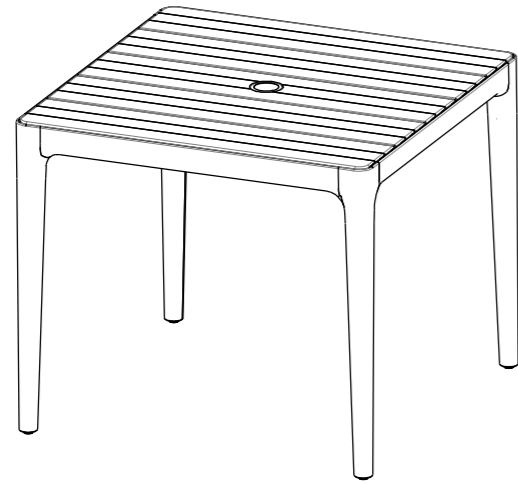


 GLOSTER

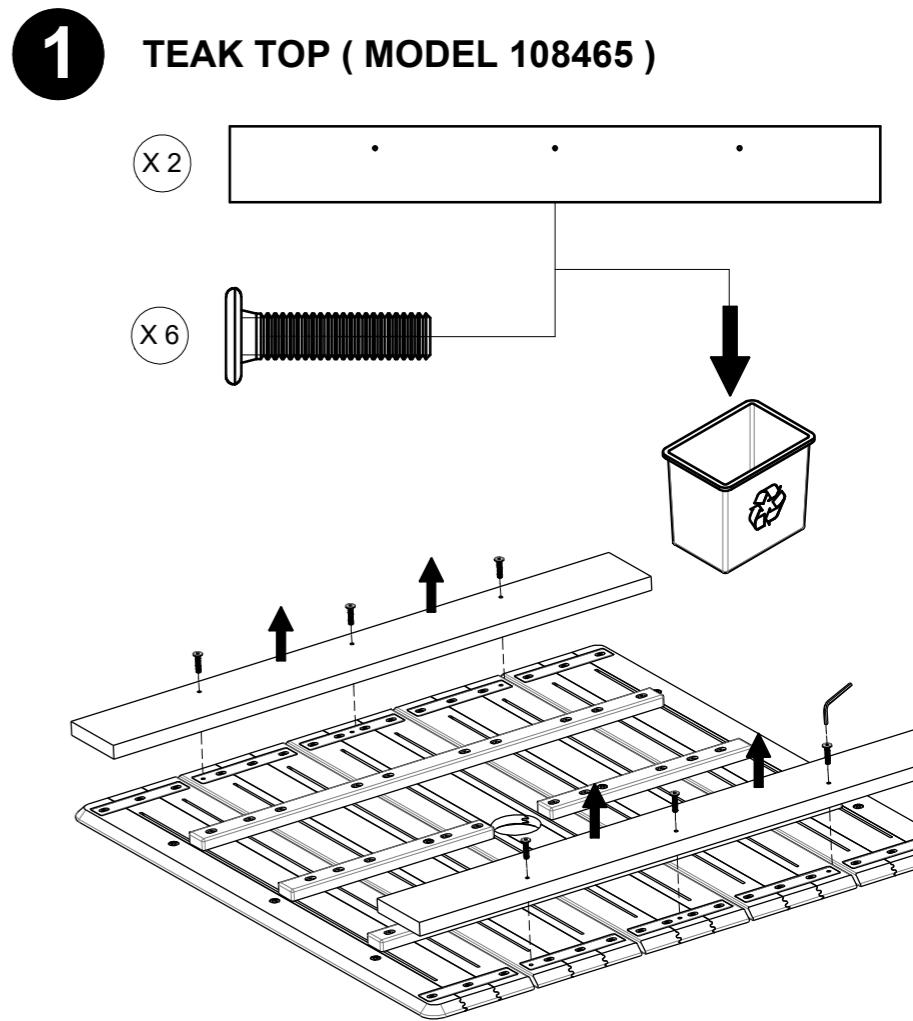
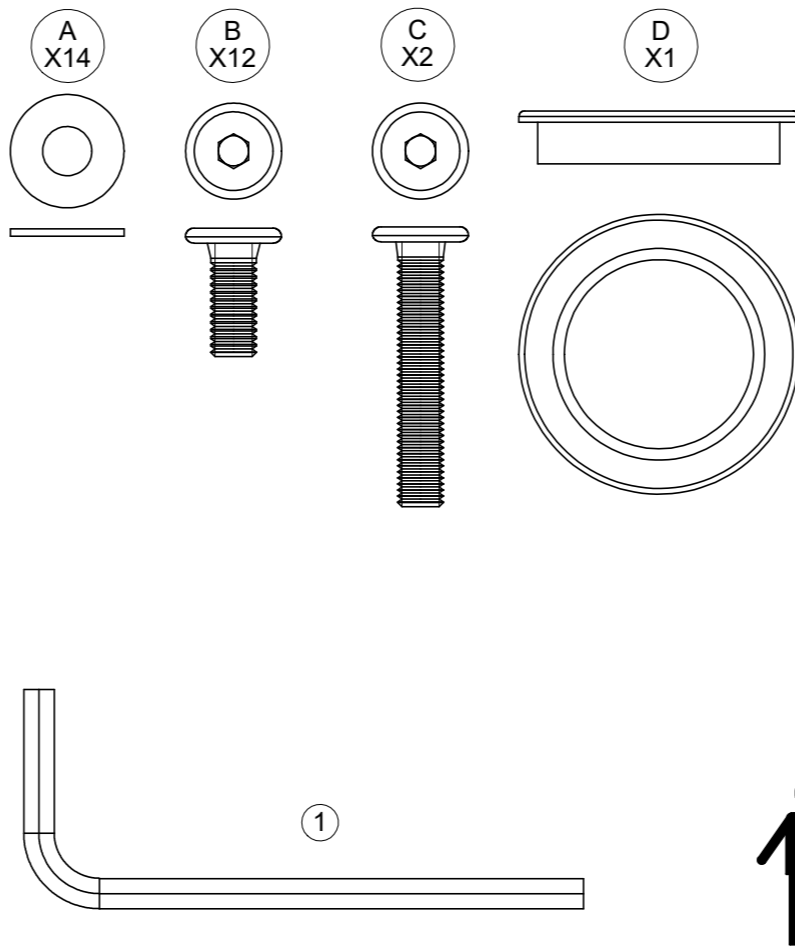


# LIMA DINING TABLE 87 CM SQUARE TEAK TOP

ASSEMBLY GUIDE



**GLOSTER**



DISTRIBUTED IN THE USA BY:

Gloster Furniture  
1075 Fulp Industrial Road  
PO Box 738  
South Boston  
VA 24592  
USA

DISTRIBUTED IN EUROPE AND ROW BY:

Gloster Furniture GmbH  
Zeppelinstrasse 22  
21337 Luneburg  
Germany  
Tel. +49 (0)4131 287530

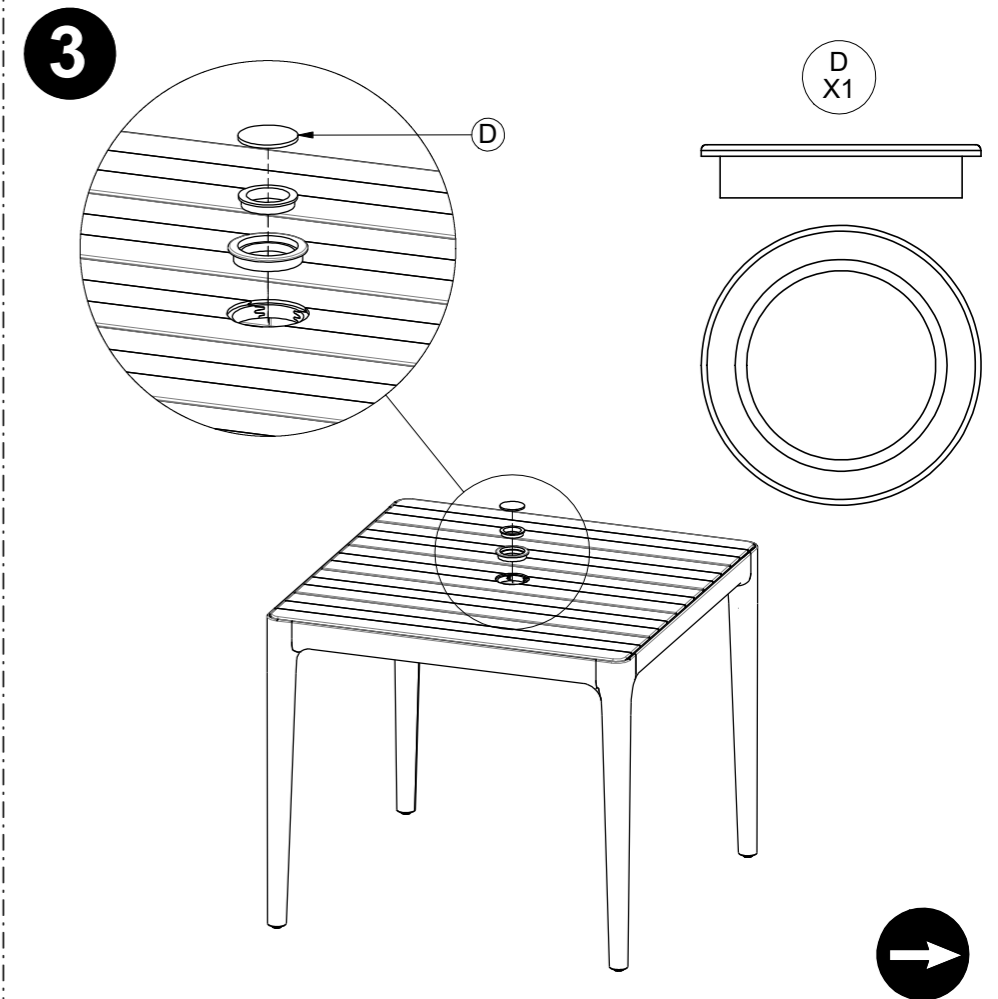
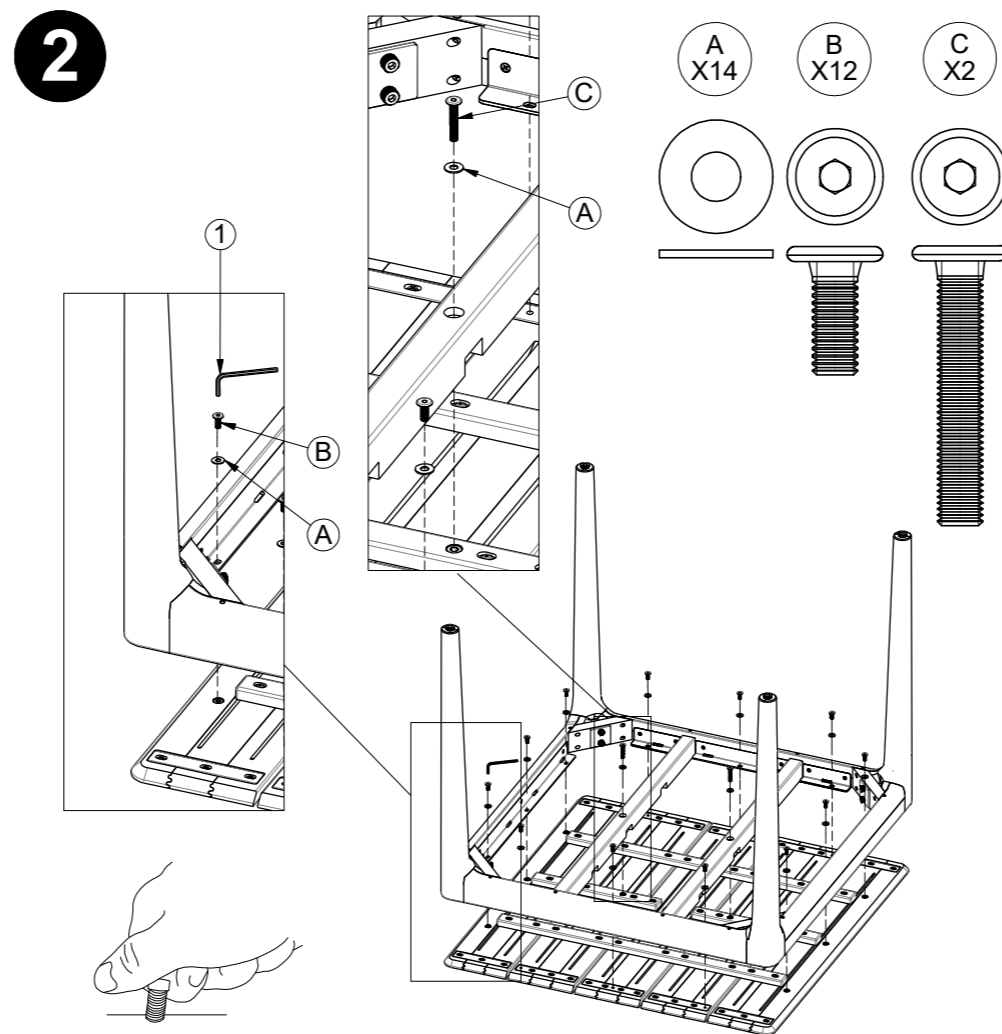
GENERAL SAFETY GUIDELINES

IMPORTANT, RETAIN FOR FUTURE REFERENCE: READ CAREFULLY

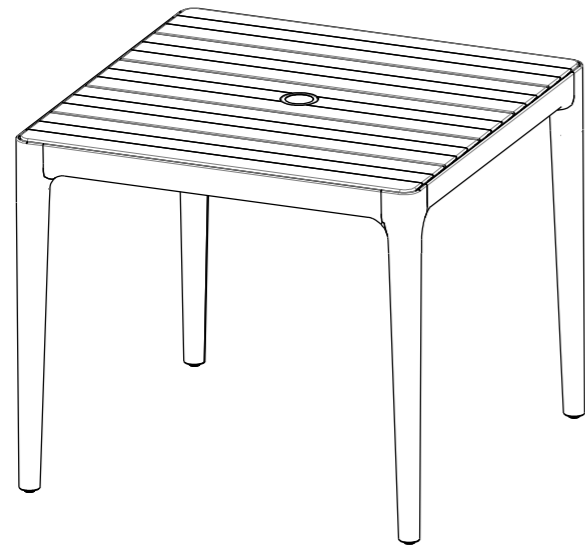
Keep this guide for future reference, do not throw away.  
This product is suitable for use in both residential and contract environments.

Warranty  
[www.gloster.com](http://www.gloster.com)

01/10/21 - V2



4



 [www.gloster.com](http://www.gloster.com)